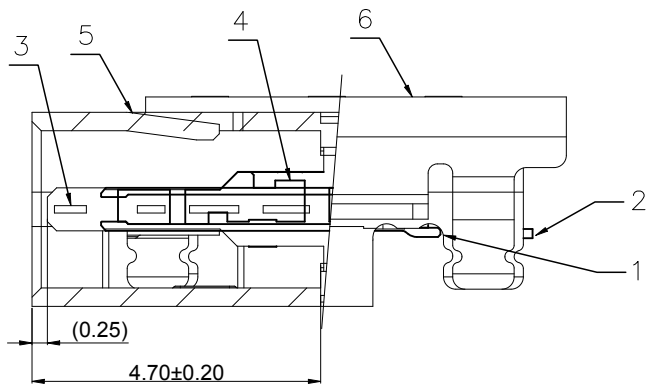
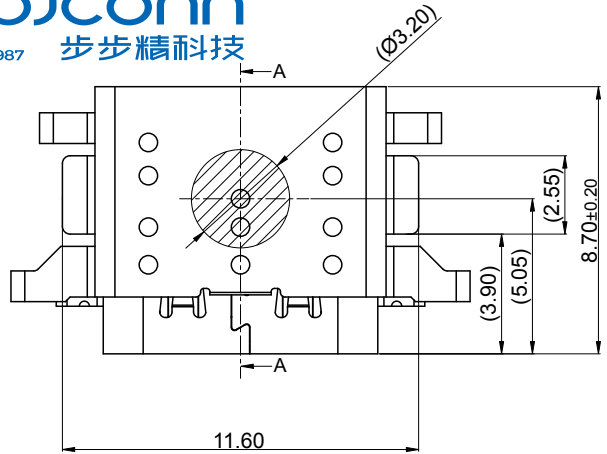


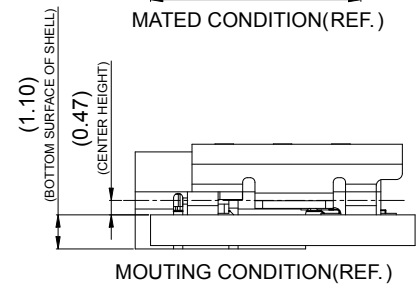
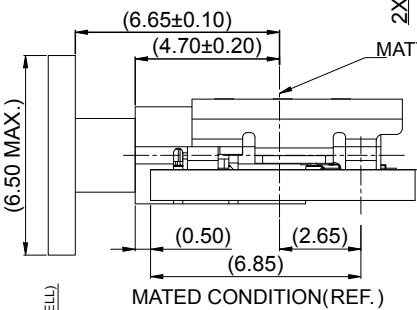
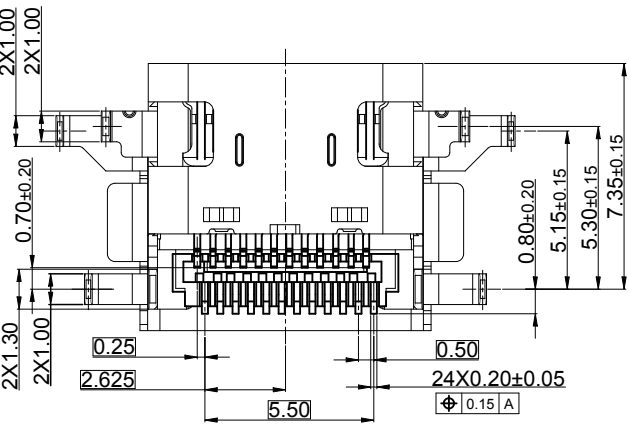
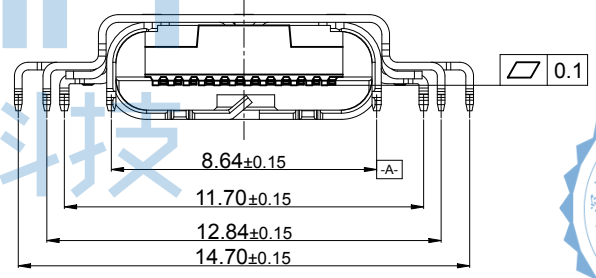
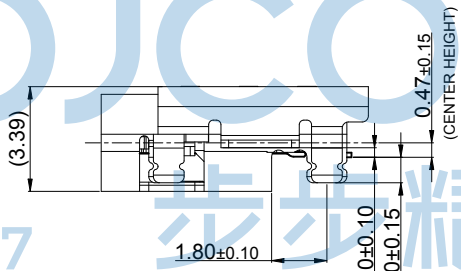
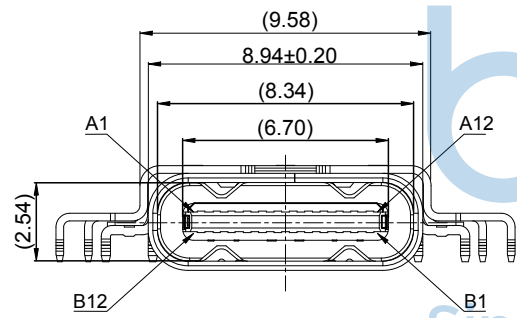
| REV. | ECN NO | CONTENT | DATE | ENGINEER |
|------|--------|-----------------|------|----------|
| A0 | | Initial release | / | TSP |

NOTES/注释:

- MATERIAL/材料: SEE TABLE/见下表
- GENERAL SPECIFICATION/通用特性:
 - COPLANARITY/共面度: 0.10 Max.
 - CURRENT RATING: 5A / 额定电流: 5安培
 - CONTACT RESISTANCE: 40mΩ MAX (INITIAL).
INSULATION RESISTANCE: 100MΩ Min
接触电阻: 40毫欧最大(初始值) / 绝缘电阻: 100MΩ Min
 - DIELECTRIC WITHSTANDING VOLTAGE: 100 VAC
耐电压: 100伏交流
 - MECHANICAL CHARACTERISTICS:
INSERTION FORCE: 5~20N EXTRACTION FORCE: 8~20N
AFTER DURABILITY EXTRACTION FORCE: 6~20N
力学特性: 初始插入力: 5~20N 拔出力: 8~20N
耐久后拔出力: 6~20N



SECTION A-A(剖视图A-A)
SCALE 2:1 (比例 2:1)



| ITEM | DESCRIPTION | QTY | MATERIAL | FINISH | REMARK |
|------|-----------------|-----|-----------------------------|---|-------------|
| 6 | OUT SHELL | 1 | SUS304 | NICKEL PLATING | 0.25mm |
| 5 | INT SHELL | 1 | SUS304 | NICKEL PLATING | 0.3mm |
| 4 | MAIN HOUSING | 1 | PA9T HF 30%玻纤, UL94 V-0, 黑色 | - | COLOR:BLACK |
| 3 | MID PLATE | 1 | SUS301 | - | 0.15mm |
| 2 | BOTTOM TERMINAL | 1 | C18140 | MATING SIDE:SEE PART NO; SOLDER TAIL:GOLD FLASH, 30U" NICKEL OVERALL | 0.12mm |
| 1 | TOP TERMINAL | 1 | C18140 | | 0.12mm |

THIS DOCUMENT IS THE SOLE PROPERTY OF BBJconn Technology Co.,Ltd. Corporation AND SHOULD NOT BE USED IN WHOLE OR IN PART WITHOUT PRIOR WRITTEN PERMISSION.

PDWG.NO: 0470-1

DR. TSP

APPD. JM_Zheng

CHKD. LYX

NAME: TYPE-C 24P 母座 无后盖 双壳 八脚插 端子双排SMT 沉板1.10 L=8.70 CH=0.47 外壳脚长0.8 编带

PJ. NO.: UC.01.32-2W-0003

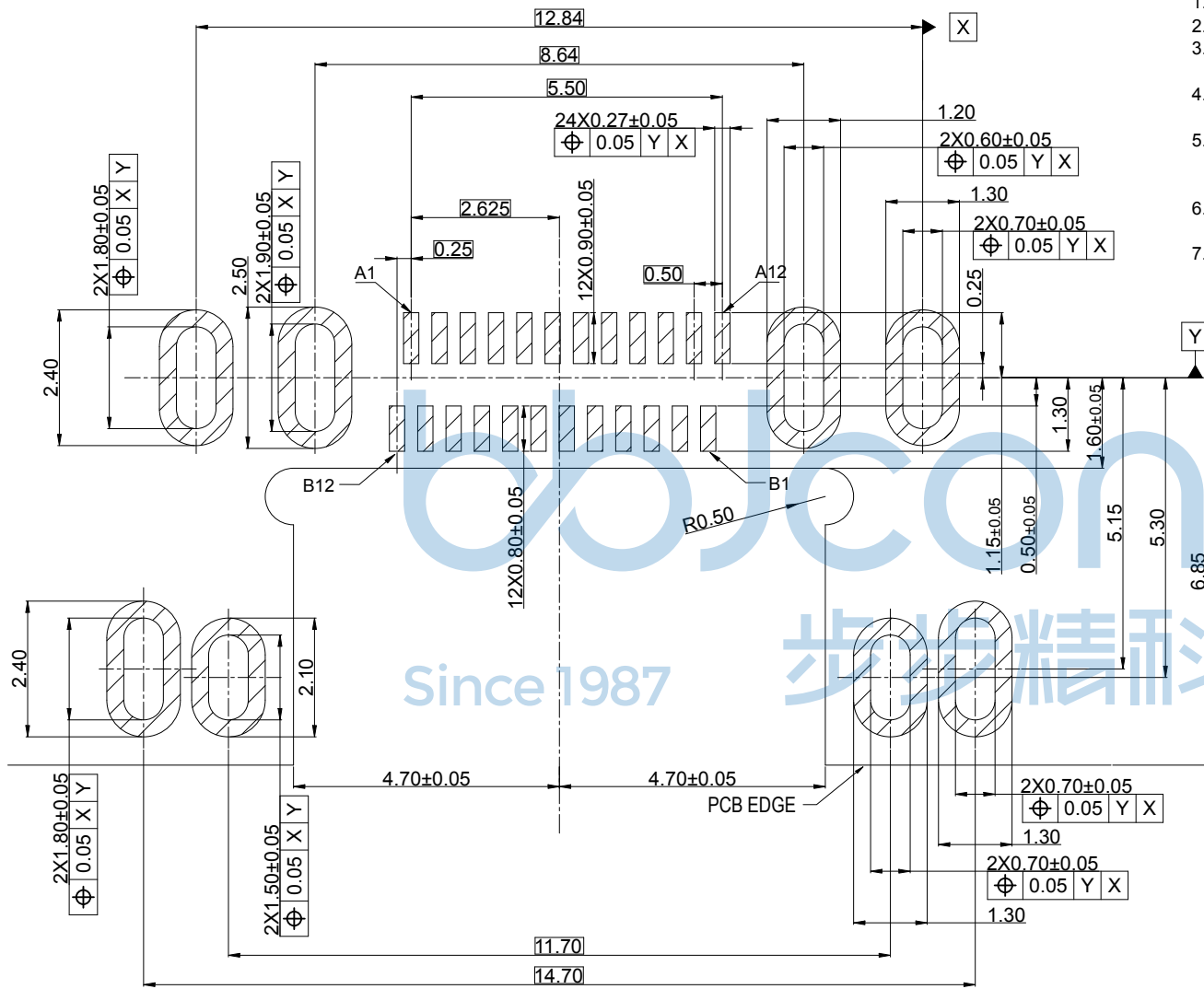
SIZE: A4 DRW NO.:

FINISH: SEE NOTES MAT'L.: SEE NOTES

SCALE: N/A REV.: A0 UNIT: mm PAGE: 1/3

深圳市步步精科技有限公司

| | | | | |
|------|--------|-----------------|------|----------|
| REV. | ECN NO | CONTENT | DATE | ENGINEER |
| A0 | | Initial release | / | TSP |



Recommended PCB Layout(Top View)/推荐的PCB布局(前视图)
General Tolerances:±0.05/一般公差:±0.05

Pin定义:

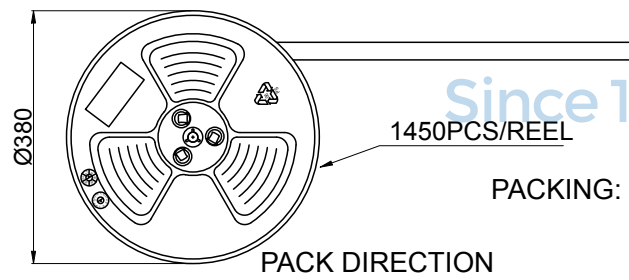
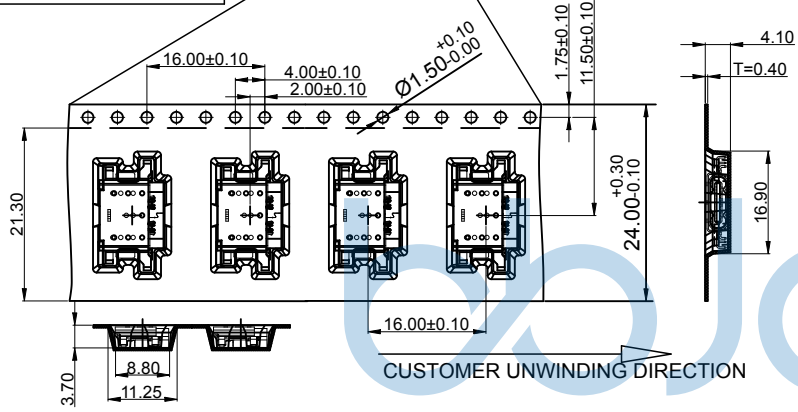
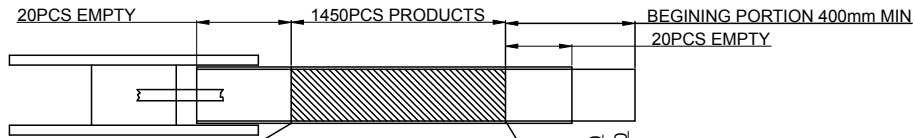
| | | | | | | | | | | | |
|-----|------|------|------|------|----|----|------|------|------|------|-----|
| A1 | A2 | A3 | A4 | A5 | A6 | A7 | A8 | A9 | A10 | A11 | A12 |
| GND | TX1+ | TX1- | Vbus | CC1 | D+ | D- | SBU1 | Vbus | RX2- | RX2+ | GND |
| GND | RX1+ | RX1- | Vbus | SBU2 | D- | D+ | CC2 | Vbus | TX2- | TX2+ | GND |
| B12 | B11 | B10 | B9 | B8 | B7 | B6 | B5 | B4 | B3 | B2 | B1 |

- NOTES/注释:
- MATERIAL/材料: SEE BILL OF MATERIAL /见材料清单
 - COPLANARITY /共面度: 0.10 Max.
 - As for welding, there are possibilities that the number of welding and position change. 焊接, 也有焊接数量和位置变化的可能性。
 - Discoloration might occur at welded area 焊接区域可能出现变色
 - Shell length is shorter compare to reference value of USB Type-C standard. Please check mating depth with case(housing) to satisfy mechanical function. 外壳长度比USB Type-C标准的参考值更短, 请检查与外壳的配合深度, 以满足机械功能
 - There is possibility that the shell discolors after heating 壳体加热后有变色的可能
 - Laser welds may be discolor.also the weld may swell 激光焊接可能会变色。焊缝也可能膨胀

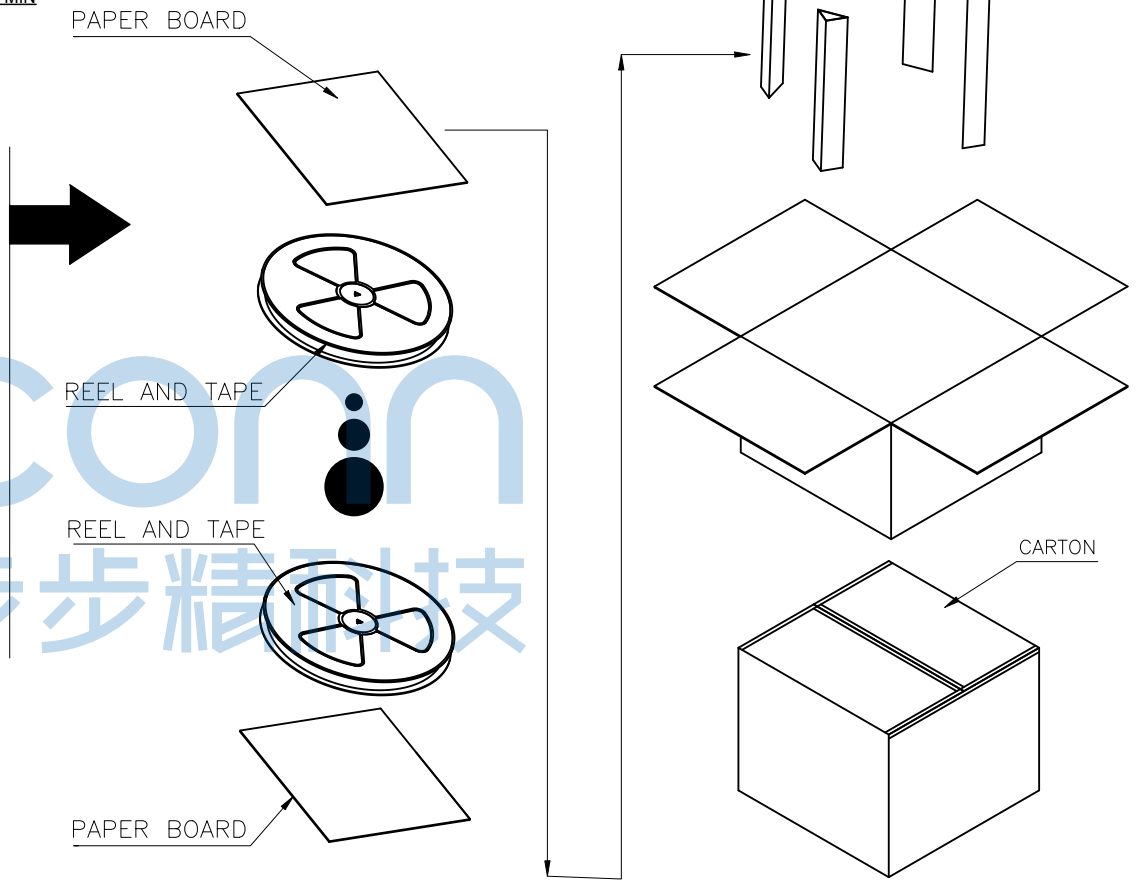


| | | | |
|--|--|--|--|
| THIS DOCUMENT IS THE SOLE PROPERTY OF BBJconn Technology Co.,Ltd. Corporation AND SHOULD NOT BE USED IN WHOLE OR IN PART WITHOUT PRIOR WRITTEN PERMISSION. | | 深圳市步步精科技有限公司 | |
| .X: ±0.38 .XX: ±0.25 .XXX: ±0.13 | | NAME: TYPE-C 24P 母座 无后盖 双壳 八脚插 端子双排SMT 沉板1.10 L=8.70 CH=0.47 外壳脚长0.8 编带 | |
| X': ±3' .X': ±2' .XX': ±1' | | APPD. JM_Zheng CHKD. LYX DR. TSP | |
| PDWG.NO: 0470-1 | | P.J. NO.: UC.01.32-2W-0003 SIZE: A4 DRW NO.: FINISH: SEE NOTES MAT'L.: SEE NOTES SCALE: N/A REV.: A0 UNIT: mm PAGE: 2/3 | |

| REV. | ECN NO. | CONTENT | DATE | ENGINEER |
|------|---------|-----------------|------|----------|
| A0 | | Initial release | / | TSP |



PACKING: 1. 1450 PCS/REEL.
2. 10 REEL/Carton



| | | | | | |
|--|----------|---|-----|--|-----|
| THIS DOCUMENT IS THE SOLE PROPERTY OF BBJconn Technology Co.,Ltd. CORPORATION AND SHOULD NOT BE USED IN WHOLE OR IN PART WITHOUT PRIOR WRITTEN PERMISSION. | | 深圳市步步精科技有限公司 .X: ±0.38 .X': ±3" .XX: ±0.25 .X': ±2" .XXX: ±0.13 .XX': ±1" | | NAME: TYPE-C 24P 母座 无后盖 双壳 八脚插 端子双排SMT 沉板1.10 L=8.70 CH=0.47 外壳脚长0.8 编带 PJ. NO.: UC.01.32-2W-0003 SIZE: A4 DRW NO.: FINISH: SEE NOTES MAT'L.: SEE NOTES SCALE: N/A REV.: A0 UNIT: mm PAGE: 3/3 | |
| APPD. | JM_Zheng | CHKD. | LYX | DR. | TSP |
| PDWG.NO: 0470-1 | | | | | |