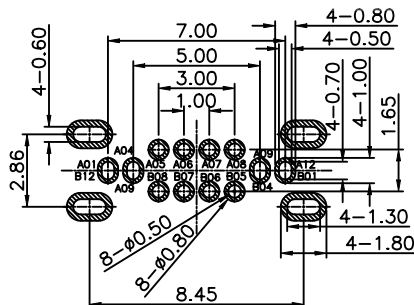
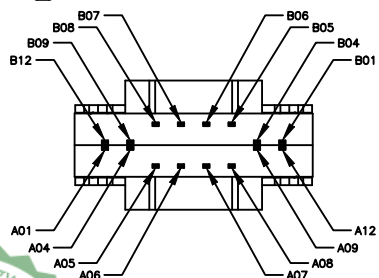
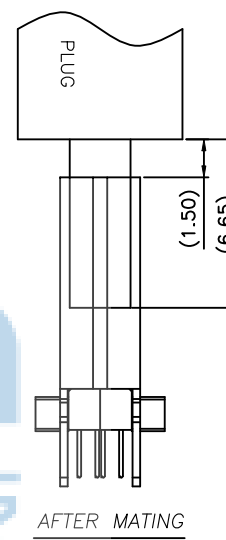
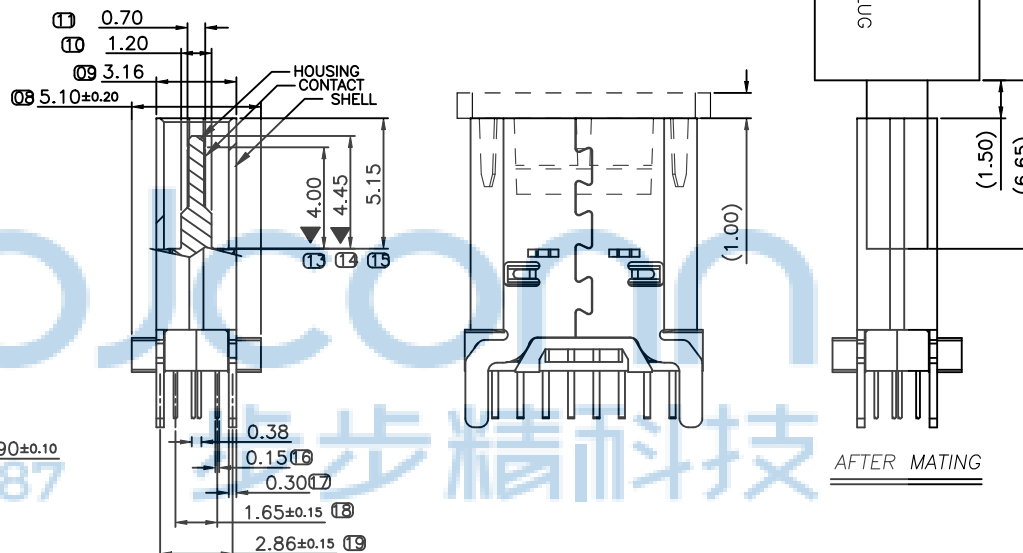
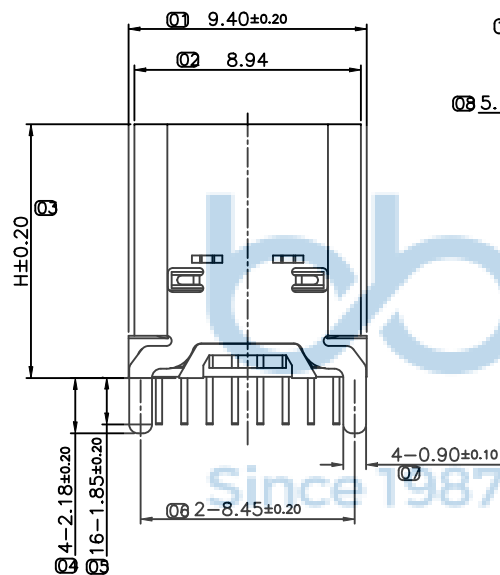
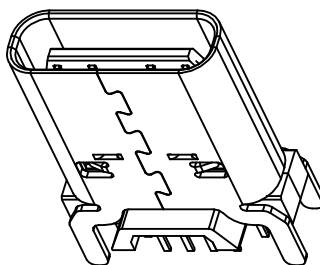
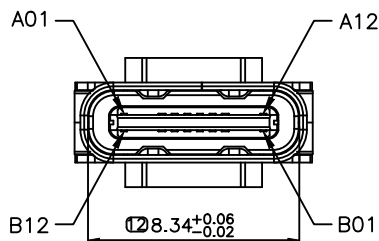


REV.	ECN NO	CONTENT	DATE	ENGINEER
A0			2023 03/28	

NOTES:

- MATERIAL SPECIFICATION:
 - HOUSING: LCP E130i, UL94V-0.
 - CONTACTS: C2680.
 - MID PLATE: SUS301.
 - FRONT SHELL: SUS304.
- PLATING SPECIFICATION:
 - CONTACTS:
 - Ni 50u" MIN. UNDER PLATED OVER ALL.
 - Au PLATED ON THE FUNCTIONAL AREA OF CONTACT.
 - (GOLD PLATING THICKNESS FOLLOW THE P/N)
 - FRONT SHELL:
 - Ni 50u" MIN. UNDER PLATED OVER ALL.
 - MID PLATE: CLEAR ONLY.
- MECHANICAL PERFORMANCE:
 - INSERTION FORCE: 0.5~2.0kgf.
 - REMOVAL FORCE: 0.8kgf~2.0kgf.
 - DURABILITY: 10000 CYCLES.
- ELECTRICAL PERFORMANCE:
 - CURRENT RATING: 5.0A.
 - VOLTAGE RATING: 5.0V.
 - LLCR:
 - VBUS & GND PINS AND OTHER PINS: 40mΩ /PIN MAX.
 - SHIELD: 50mΩ /MAX.
 - INSULATION RESISTANCE: 100MΩ MIN
 - DIELECTRIC WITHSTAND VOLTAGE, AC 100V FOR 1 MINUTE.
- ENVIRONMENTAL PERFORMANCE:
 - OPERATING TEMPERATURE: -25° C~+85° C.
 - THE PEAK TEMPERATURE ON THE BOARD SHALL BE MAINTAINED FOR 10 SECONDS AT 260° C.
- 带序号“⊗”的尺寸为FAI尺寸.



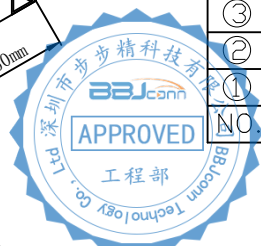
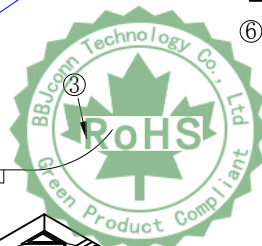
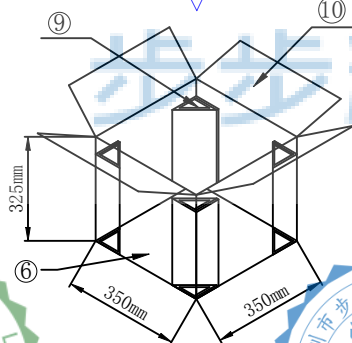
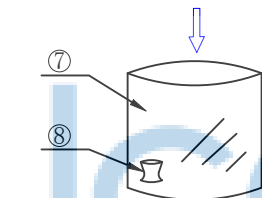
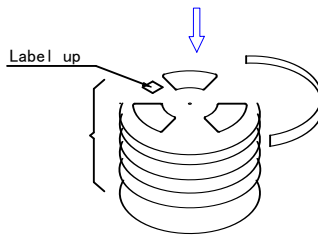
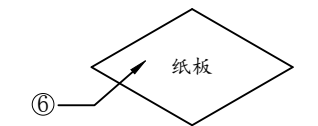
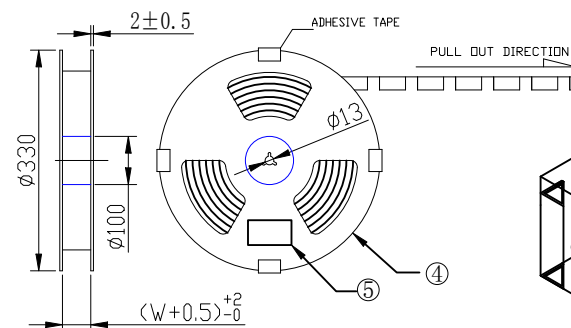
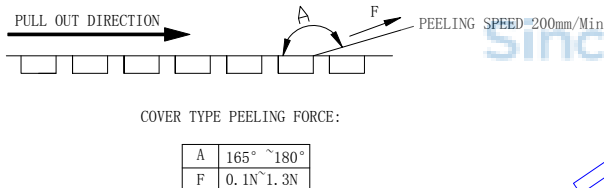
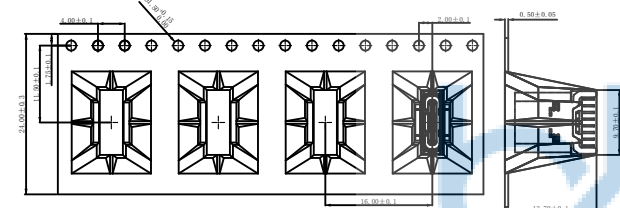
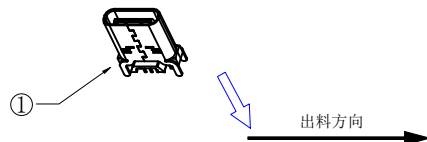
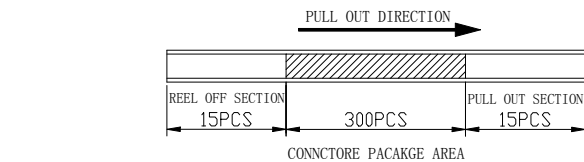
RECOMMENDED P.C.B. LAYOUT (T: 1.00mm)
TOLERANCE UNSPECIFIED ±0.05mm



PIN NUMBER	A1	A2	A3	A4	A5	A6	A7	A8	A9	A10	A11	A12
SIGNAL NAME	GND			Vbus	CC1	Dp1	Dn1	SBU1	Vbus			GND
PIN NUMBER	B12	B11	B10	B9	B8	B7	B6	B5	B4	B3	B2	B1
SIGNAL NAME	GND			Vbus	SBU2	Dn2	Dp2	CC2	Vbus			GND

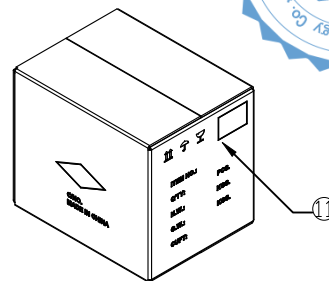
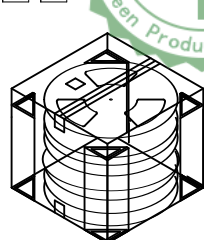
THIS DOCUMENT IS THE SOLE PROPERTY OF BBJconn Technology Co., Ltd. Corporation AND SHOULD NOT BE USED IN WHOLE OR IN PART WITHOUT PRIOR WRITTEN PERMISSION.		PDWG.NO: XX		深圳市步步精科技有限公司 APPROVED 工程		深圳市步步精科技有限公司 NAME: TYPE-C 16P 母座 180度 H=10.0全插 (DIP)	
.X: ±0.38 .XX: ±0.25 .XXX: ±0.13		X': ±3' .X': ±2' XX': ±1'		APPD. JM_Zheng 23/03/28		PJ. NO.: UC.01.11-1N-0017	
OR IN PART WITHOUT PRIOR WRITTEN PERMISSION.		CHKD. DAX 23/03/28		DR. DAX 23/03/28		SIZE: A4 DRW NO.: CC23-0002	
				FINISH: SEE NOTES		MAT'L.: SEE NOTES	
				SCALE: N/A		REV.: A0 UNIT: mm PAGE: 1/2	

REV.	ECN NO.	CONTENT	DATE	ENGINEER
AO			2022 11/08	



1. 包装方式:
- 1.1 使用半自动包装机, 先将CARRY TAPE 送入导轨中, 并与COVER TAPE 贴合在上面, 将产品如图所示方向依次放入CARRY TAPE内, 每REEL共包装产品见下表
 - 1.2 用胶带将CARRY TAPE粘在一起, 外围再用塑胶带缠绕一圈, 按客户要求REEL 贴上LABEL, 注明料号, 日期, 数量.
 - 1.3 如图示, 将装好的REEL装入PE袋内, PE袋内放置2Pcs干燥剂, 然后在外箱底部放1Pcs纸板, 纸箱内4个角分别放置1个三角板, 再将PE袋内REEL放入纸箱内, 顶部再加盖一个纸板, 最后用胶带封箱, 并在纸箱外相应的地方贴上标签.
 - 1.4 包装数量: 见下表

⑪	LABEL (CARTON) 纸箱标签	1Pcs	80mm*50mm
⑩	CARTON (纸箱)	1Pcs	L350*W350*H325 (内尺寸)
⑨	FOLDER PAPER BOARD (护角)	4Pcs	(85+85+85+85) *310
⑧	DESICCANT (干燥剂)	2Pcs	
⑦	PE Bag (PE袋)	1Pcs	520*320*460, T=0.05mm
⑥	PAPER BOARD (纸板)	2Pcs	(85+85+85+85) *310
⑤	LABEL (TAPE REEL) 标签	10Pcs	80mm*50mm
④	REEL (卷轴)	10R	Ø330mm, H=24.5mm
③	COVER TAPE (盖带)	1R	PET, W=21.3mm
②	TAPE REEL (载带)	10Pcs	PS, W=24mm, T=0.5mm, 总长5.28M
①	产品总数	3000Pcs	N/A
NO	DESCRIPTION	QTY	MATERIAL



THIS DOCUMENT IS THE SOLE PROPERTY OF BBJconn Technology Co., Ltd. Corporation AND SHOULD NOT BE USED IN WHOLE OR IN PART WITHOUT PRIOR WRITTEN PERMISSION. PDWG.NO: 9999-9

深圳市步步精科技有限公司

NAME: TYPE-C 16P 母座 180度 H=10.0 全插 (DIP)

PJ. NO.: UC.01.11-1N-0017
SIZE: A4 | DRW NO.: CC23-0002
FINISH: SEE NOTES | MAT'L.: SEE NOTES
SCALE: N/A | REV.: AO | UNIT: mm | PAGE: 2/2

APPD. JM_Zheng
CHKD. HongGuang
DR. LYX