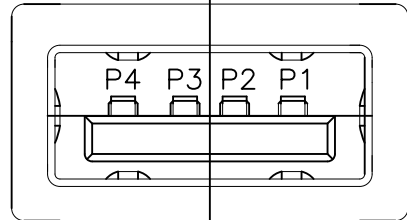
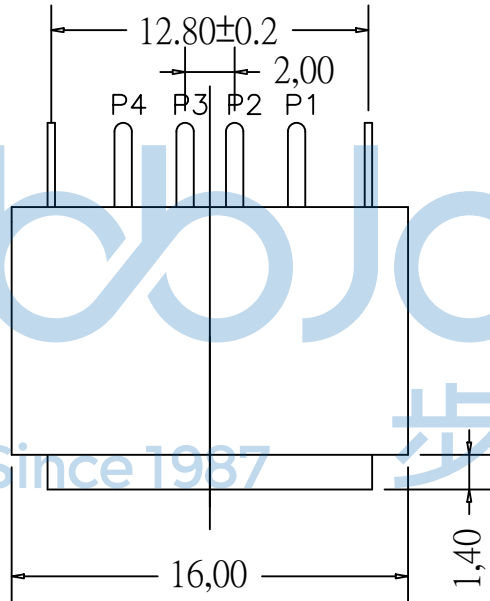
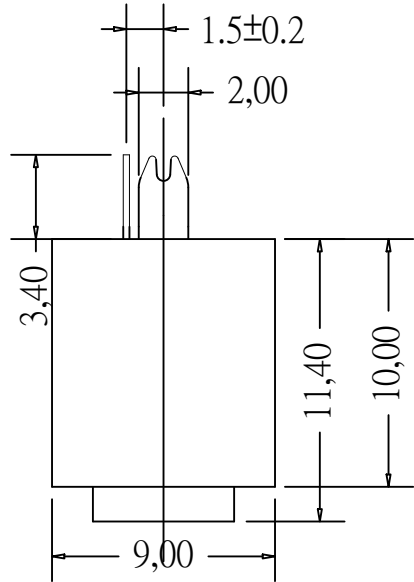
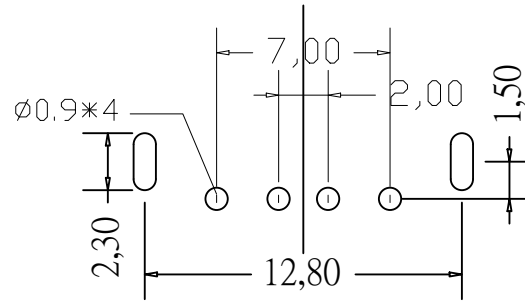
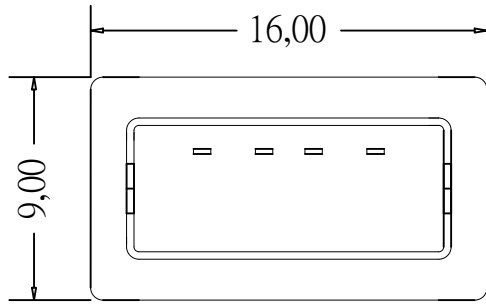


REV.	ECN NO.	CONTENT	DATE	ENGINEER
A0			/	



Pin Number	Signal Name
1	VBUS
2	D-
3	D+
4	GND

规格说明: Specifications:

电气特性: Electrical:

1. 额定电流: Current Rating  
1.5A/contact terminal
2. 额定电压: Voltage Rating  
30V DC
3. 接触阻抗: Contact Resistance  
30 milliohms MAX
4. 耐电压: Dielectric Withstanding Voltage:  
500 V AC AT Sea Level
5. 绝缘阻抗: Insulation Resistance:  
1000MEGA ohms MIN

物理性能: Mechanical:

1. 插拔力: Connector Mate and Unmate Force  
Mate force: 3.57kgf (MAX)  
Unmate force: 1.02kgf (MIN)
2. 端子保持力: Terminal Retention  
1.02kgf (MIN)

原材料: Material:

1. 塑胶: Housing: LCP  
Hing Temperature Thermoplastics,
2. 端子: Contact: Copper Alloy C2680
3. 外壳: Shell: Copper Alloy C2680

电镀: Finish:

1. 端子: Contact: Plated Gold in Mating Area;  
Tin On Solder Talls  
端子四周镀50U" (MIN) 锡, 镀金区域镀60-80U" 镀金1U"
2. 外壳: Shell:  
铁壳四周镀80U" (MIN) 锡

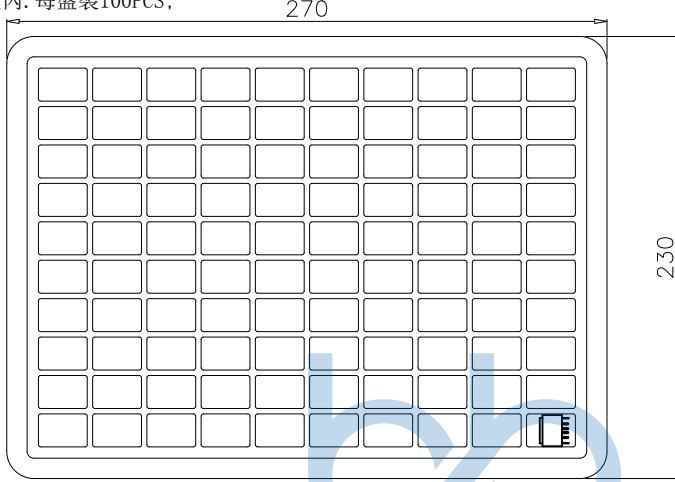
Nickel Plating

防水等级: IPX6

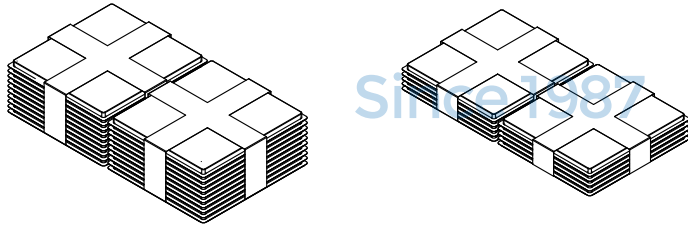


THIS DOCUMENT IS THE SOLE PROPERTY OF BBJconn Technology Co., Ltd. Corporation AND SHOULD NOT BE USED IN WHOLE OR IN PART WITHOUT PRIOR WRITTEN PERMISSION.		<b>深圳市步步精科技有限公司</b>	
PDWG.NO: 0383-1	APPD. JM_Zheng	NAME: USB 2.0 防水母座 180度 直插直脚 H=11.40 鱼叉脚 平口 LCP黑胶 铜壳 带外壳 带方形防水圈 IPX6	PJ. NO.: UB.01.12-12-V004
	CHKD. TSP	FINISH: SEE NOTES	MAT'L.: SEE NOTES
	DR. LYL	SCALE: N/A	REV.: A0 UNIT: mm PAGE: 1/2

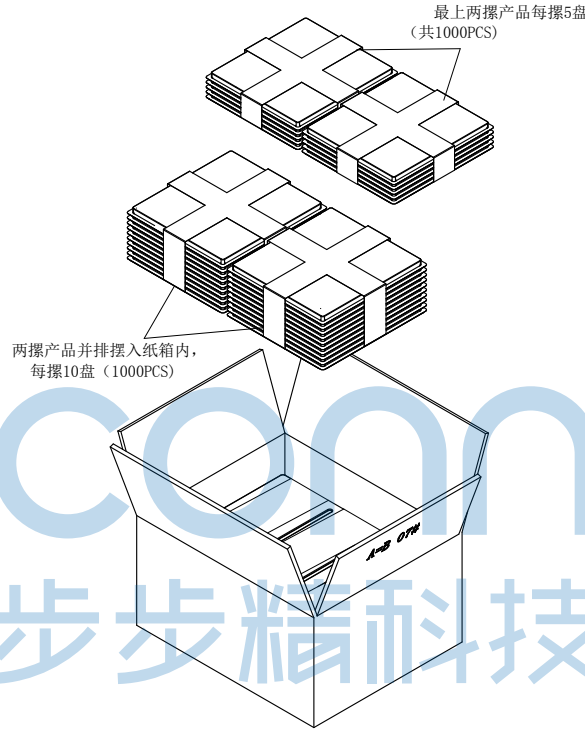
1. 把已全檢好的 USB 180度10.5防水 成品, 裝入專用的吸塑盤內, 每盤裝100PCS;



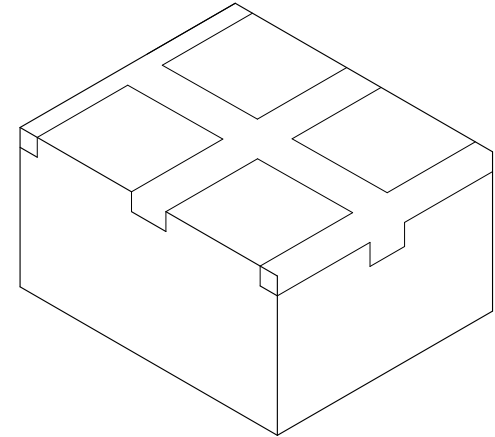
2. 產品放滿100PCS 后, 蓋上上蓋后使用訂書機鎖邊, 然後層疊10盤(每4摞后打包2摞500PCS的), 并用打包模捆好(如下圖).



3. 將疊好的產品, 按圖示用PE模捆扎, 後裝入紙箱, 每箱裝4捆大摞的2捆小摞的, 5000PCS



4. 外箱規格及外箱標籤貼附要求。  
(客戶指定要求之標籤及規格參照“客戶包裝規範”)



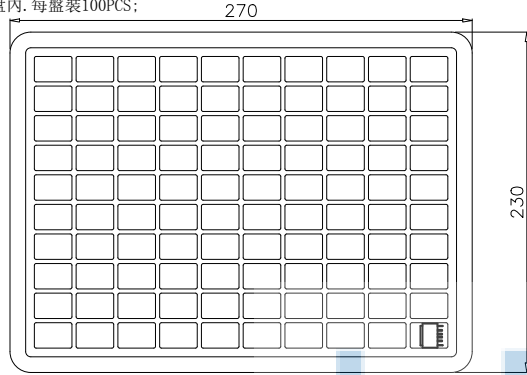
尺寸: 482\*272\*220mm

包材清單:			包裝數量:	
品名規格:	單重(g)	數量	成品單重	G/PCS
5#吸塑盒下盤		50 PCS		100PCS/盒
5#吸塑盒上蓋		50 PCS		
07#紙箱		1 PCS		5000PCS/箱

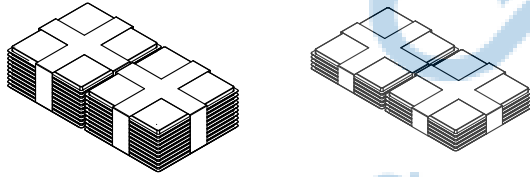


THIS DOCUMENT IS THE SOLE PROPERTY OF BBJconn Technology Co., Ltd. Corporation AND SHOULD NOT BE USED IN WHOLE OR IN PART WITHOUT PRIOR WRITTEN PERMISSION.		<b>深圳市步步精科技有限公司</b>	
PDWG.NO: 0383-1	APPD. JM_Zheng	NAME: USB 2.0 防水母座 180度 直插直脚 H=11.40 鱼叉脚 平口 LCP黑胶 铜壳 带外壳 带方形防水圈 IPX6	PJ. NO.: UB.01.12-12-V004
	CHKD. TSP	FINISH: SEE NOTES	MAT'L.: SEE NOTES
	DR. LYL	SCALE: N/A	REV.: A0 UNIT: mm PAGE: 2/2

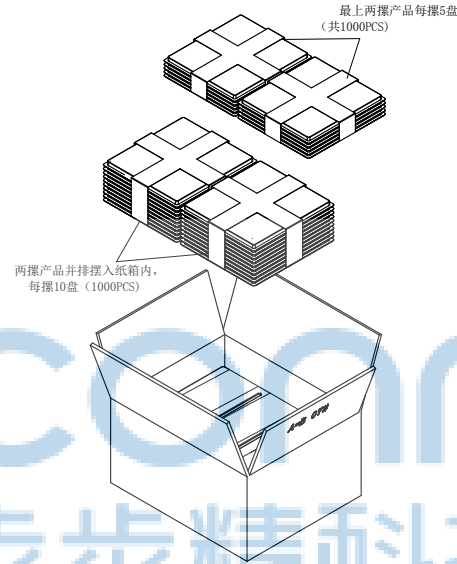
1. 把已全檢好的 USB 180度10.5防水 成品, 装入專用的吸塑盤內, 每盤裝100PCS;



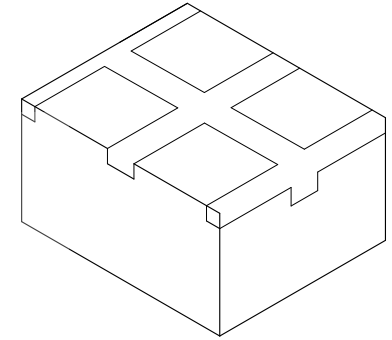
2. 产品放滿100PCS 后, 盖上下盖后使用订书机锁边, 然后层叠10盘(每4摞后打包2摞500PCS的), 并用打包模捆好(如下图).



3. 将叠好的产品, 按圖示用PE模捆扎, 后装入紙箱, 每箱裝4捆大摞的2捆小摞的, 5000PCS



4. 外箱规格及外箱标签贴附要求. (客户指定要求之标签及规格参照“客户包装规范”)



尺寸: 482\*272\*220mm



包材清单:			包装数量:	
品名规格:	单重 (g)	数量	成品单重	G/PCS
5#吸塑盒下盘		50 PCS		100PCS/盒
5#吸塑盒上盖		50 PCS		
07#纸箱		1 PCS		5000PCS/箱

THIS DOCUMENT IS THE SOLE PROPERTY OF BBJconn Technology Co., Ltd. Corporation AND SHOULD NOT BE USED IN WHOLE OR IN PART WITHOUT PRIOR WRITTEN PERMISSION. PDWG.NO:	.X: ±0.38 .XX: ±0.25 .XXX: ±0.13		X': ±3" .X': ±2" .XX': ±1"		<b>深圳市步步精科技有限公司</b> NAME: USB 2.0 防水母座 180度 直插直脚 H=11.40 鱼叉脚 平口 LCP黑胶 铜壳 带外壳 带方形防水圈 IPX6	
	APPD.	JM_Zheng	PJ. NO.: UB.01.12-12-V004		SIZE: A4   DRW NO.:	
	CHKD.	TSP	FINISH: SEE NOTES		MAT'L.: SEE NOTES	
	DR.	LYL	SCALE: N/A		REV.: A0	UNIT: mm   PAGE: 2/2