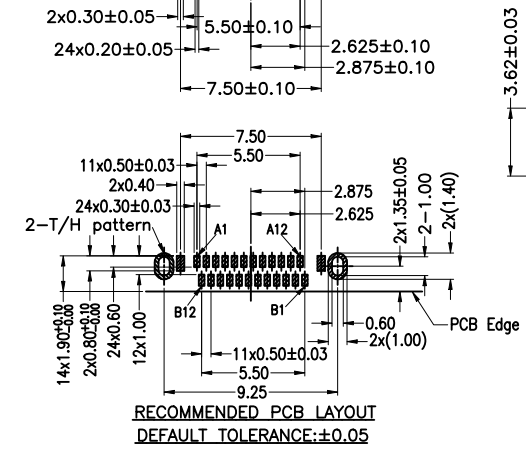
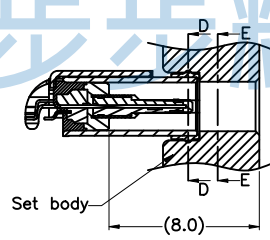
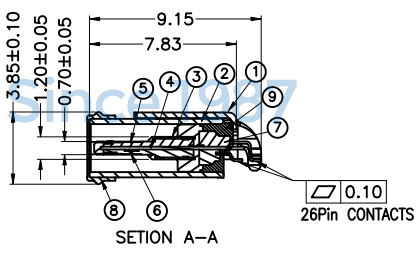
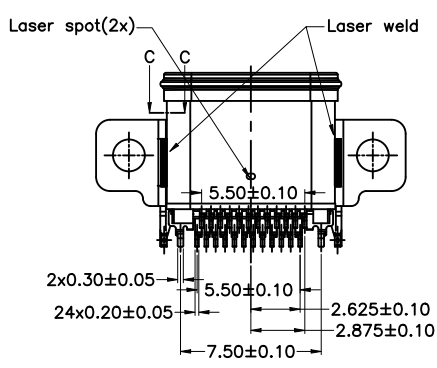
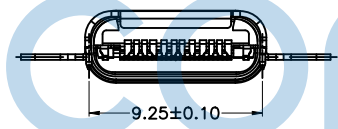
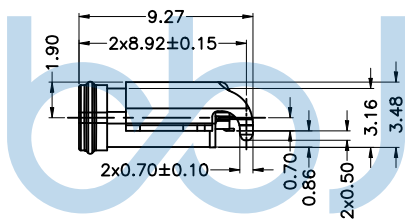
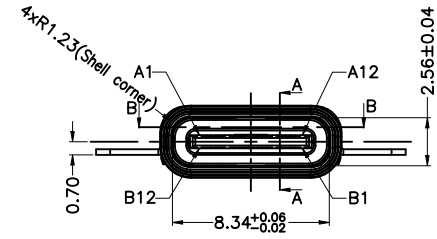
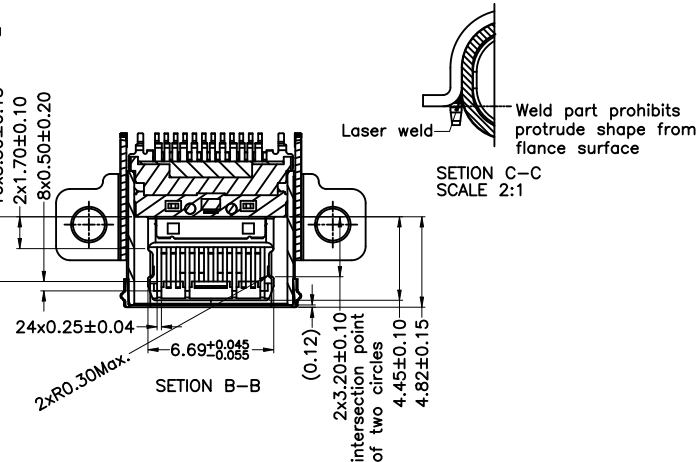
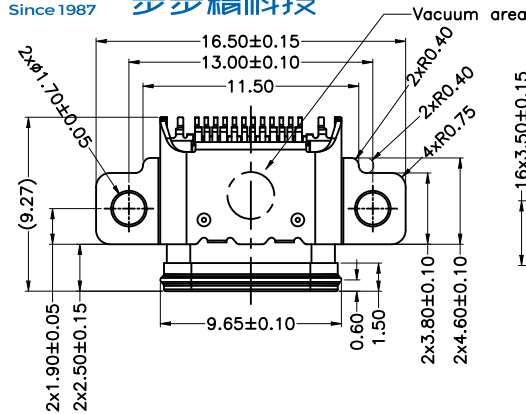


REV.	ECN NO	CONTENT	DATE	ENGINEER
A0		Initial release	/	TSP



Remark:

- MECHANICAL PERFORMANCE
  - 1-1. INSERTION FORCE: 5~20N.
  - 1-2. EXTRACTION FORCE: 8~20N INITIAL, 6~20N AFTER TEST;
  - 1-3. DURABILITY: 10000 CYCLES.
- ELECTRICAL PERFORMANCE
  - 2-1. CURRENT RATING: 5A MIN FOR VBUS, 0.25A MIN FOR OTHERS  
VOLTAGE RATING: 20V MAX.
  - 2-2. LLCR: VBUS & GND PINS AND OTHER PINS: 40mΩ/PIN MAX.
  - 2-3. INSULATION RESISTANCE: 100MΩ MIN
  - 2-4. DIELECTRIC WITHSTAND VOLTAGE, AC 100V FOR 1 MINUTE.
- The waterproof grade is IPX8 (1.5m depth of water).
- PIN DEFINITION: (GND pins (A1, A12, B1, B12) and Mid Plate should connect together in PCB circuit.)

	A1	A2	A3	A4	A5	A6	A7	A8	A9	A10	A11	A12
Mid Plate	GND	TX1+	TX1-	VBUS	CC1	D+	D-	SBU1	VBUS	RX2-	RX2+	GND
	GND	RX1+	RX1-	VBUS	SBU2	D-	D+	CC2	VBUS	TX2-	TX2+	GND
	B12	B11	B10	B9	B8	B7	B6	B5	B4	B3	B2	B1

5. Environmental Characteristics  
Salt Spray: 24H  
IR Reflow: Peak Temperature 240±5° C (Time:30S)  
Operating Temperature Range: -30° C to +85° C.  
Storage Temperature Range: -20° C to +60° C.  
Relative Humidity: 15~70%RH  
Storage Life : 6 Months



9	Liquid Rubber		Si	Color:Black
8	Rubber	1PCS	Si	Color:Black
7	Insertmolding	1PCS	LCP E6808	Color:Black
6	Bottom Contact	12PCS	C18150-R540, T=0.12	Mating Area: Ni 50u"MIN.+Au 15u" Min. Solder Tails: Ni 50u"MIN.+Au 1u" Min.
5	Top Contact	12PCS	C18150-R540, T=0.12	
4	Mid Plate	1PCS	SUS301R-H, T=0.15	Ni 40u"Min.+Solder area: Au 1u"Min.
3	GND Plate	2PCS	SUS301R-H, T=0.10	None
2	Shell	1PCS	SUS316, T=0.30	Ni:40u" Min.
1	Frame	1PCS	SUS304R-1/2H, T=0.30	Ni:40u" Min.
NO.	Part Name	Q'TY	Material	Finish

THIS DOCUMENT IS THE SOLE PROPERTY OF BBJconn Technology Co., Ltd. CORPORATION AND SHOULD NOT BE USED IN WHOLE OR IN PART WITHOUT PRIOR WRITTEN PERMISSION.

PDWG.NO: 0470-1

APPD. JM\_Zheng

CHKD. LYX

DR. TSP

NAME: USB 3.1 TYPE-C 24P 防水母座 锁板式 双壳 端子双排SMT 沉板0.86 L=9.27 CH=0.70 IPX8 编带

PJ. NO.: 126-221-240003-U4G

SIZE: A4 DRW NO.:

FINISH: SEE NOTES MAT'L.: SEE NOTES

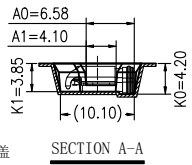
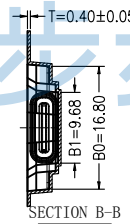
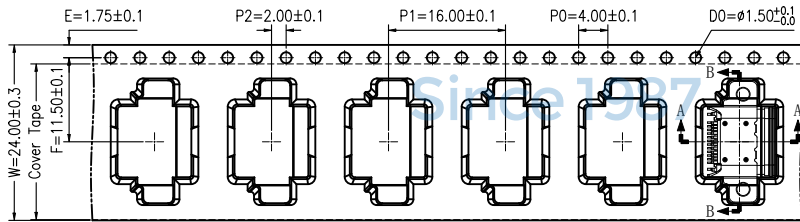
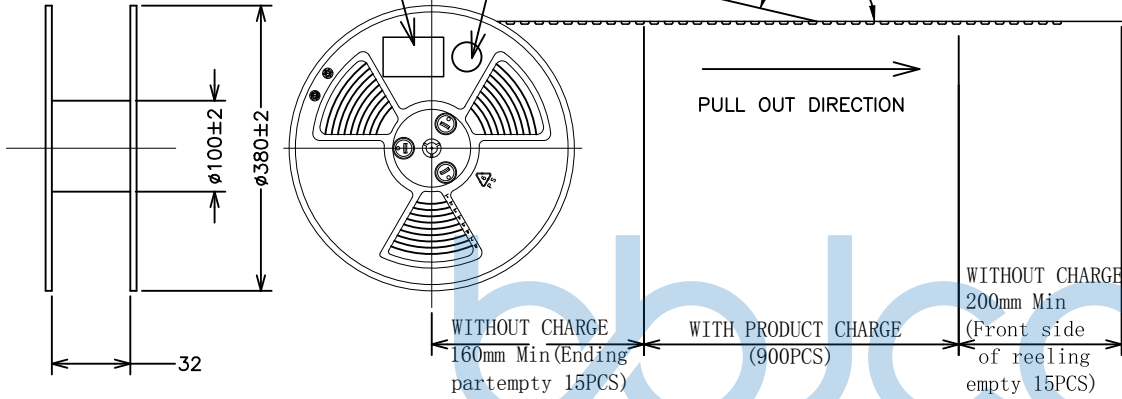
SCALE: N/A REV.: A0 UNIT: mm PAGE: 1/2



AROUND THE OUTER PERIPHERY IN A TURE.  
WEEDING THE COVER TAPE.

PULL FORCE: 0.1N~1.3N  
PULLED VELOCITY: 300±10mm Minute  
PELLING ANGLE: 165° ~180°

内盘标签 环保标签

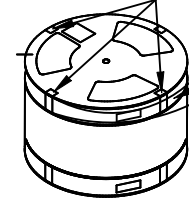


PULL OUT DIRECTION

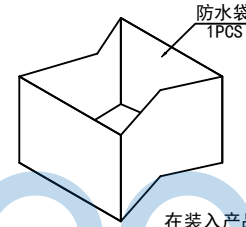
**包装规范说明:**

- 如图示首先CARRIER TAPE (载带) 需先预留15PCS空格后方可置入成品,并附COVER TPAE(上带)覆盖于上,再配合带装机自动卷绕于REEL(塑胶卷轴)收料。  
As shown from picture, the initial starting carrier need to be emptied for 15 pcs, then put connector on Inth carrier; Then cover it with Cover Tape, and Reeling it with Reel auto machine
- 在定量包装完成后,前端CARRIER TAPE亦需预留15PCS空格,而COVER TPAE配合CARRIER TYPE长度覆盖后,并须再超出200mm以上,最后以胶纸贴固,最外圈用保护带缠绕一圈,并于REEL盘上方贴好标签。  
In the end of the Reel, need to empty 15 pcs carrier tape; After covering the carrier, then the Cover Tape need to be 200mm longer, and use tape to fix the cover tape to the reel. Put ualified Label" on the tape.
- 注意:COVER TAPE不可浮起或有贴附不顺,歪斜及成品放置方向错误之现象。  
Attention: no deformation of Cover Tape is allowed (protruded plastic, or not smooth, bednt or product is wrong positioned)
- 在纸箱内左右,前后侧各放入一块三角卡板,每个PE袋中装入5个REEL盘,并在PE袋中放入2PCS干燥剂,用胶带封好,在每个纸箱内装入10PCS卷盘,共2叠,上下各垫一张平卡, 盖上箱盖后以胶带封箱,于侧位置贴好标签。  
Inside of carton, at left and right side, put triangle fixed card; Put5Reels to PE bag, and put 2 bags of desiccant inside the PE bag. Each carton has 10 reels. Put "Delivery label" on side of the carton.
- 零箱部分, 出货时须用缓冲物填满。  
The fractional box must be filled by cushion before shipment.

美纹胶纸贴固.



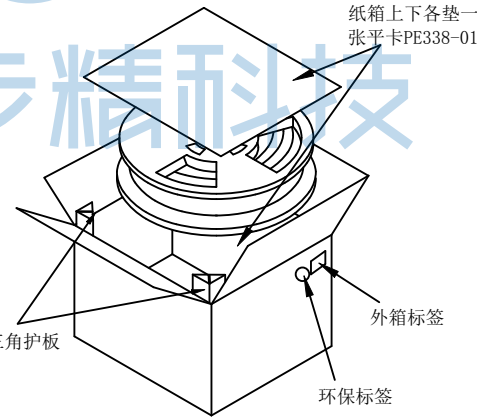
卷盘最外层缠绕一圈  
透明保护胶带



在装入产品的  
防水袋中放置2  
包干燥剂

产品规格 Product spec.	/	
包装容量 Pcs/Reel	个 / 卷	900
Reel/Ctos.	卷 / 箱	10
QTY	个 / 箱 Pcs/Ctos.	9000
重量 Weigh (Kg)	净重 N. W.	/kg
	毛重 G. W.	/kg

出货标签  
Delivery Label  
(50\*80mm)



NO.	包材名称 Items	用量 Usage	适用类别 Series	备注 / Remark
①	纸箱 Carton	1	广东省外,K=K	375*375*310mm
②	PE Bag	2		600*600*0.05mm
③	carrier tape	10		W=24mm PET 透明14.88M/R
④	cover tape	/	自粘上带	W=21.3MM,200m/r透明色
⑤	塑胶卷轴 Plastic Reel	10		Ø330mm,W=30mm
⑥	干燥剂 Desiccant	4		
⑦	环保标签 Rohs Label	11		
⑧	合格标签 Qualified Label	10		80*35mm
⑨	出货标签 Delivery Label	1		80*50mm
⑩	保护带 Protect tape	1		W24*400M/R



THIS DOCUMENT IS THE SOLE PROPERTY OF BBJconn Technology Co.,Ltd. Corporation AND SHOULD NOT BE USED IN WHOLE OR IN PART WITHOUT PRIOR WRITTEN PERMISSION.

**深圳市步步精科技有限公司**

NAME: USB 3.1 TYPE-C 24P 防水母座 锁板式 双壳 端子双排SMT 沉板0.86 L=9.27 CH=0.70 IPX8 编带

APPD. JM\_Zheng  
CHKD. LYX  
DR. TSP

PJ. NO.: 126-221-240003-U4G  
SIZE: A4 DRW NO.:  
FINISH: SEE NOTES MAT'L.: SEE NOTES  
SCALE: N/A REV.: A0 UNIT: mm PAGE: 2/2