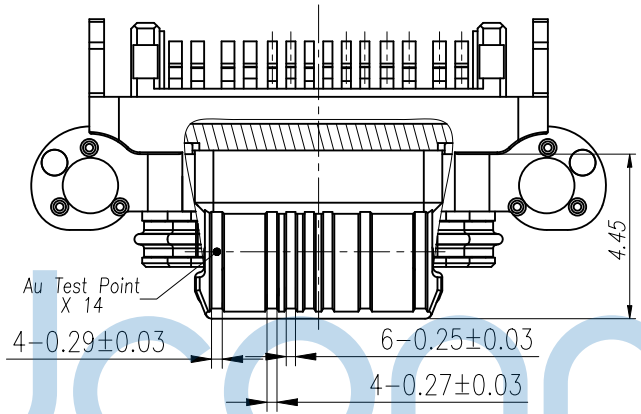
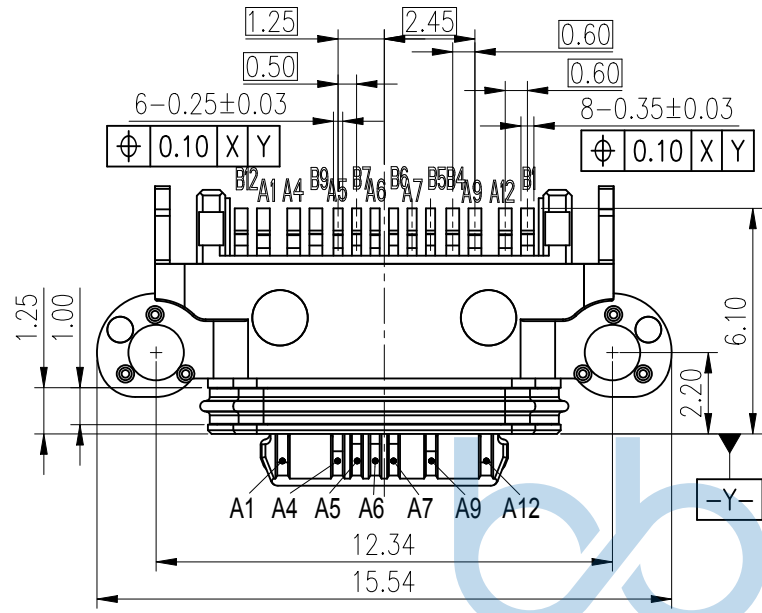


REV.	ECN NO	CONTENT	DATE	ENGINEER
A0		Initial release	/	LYL



SPECIFICATION:

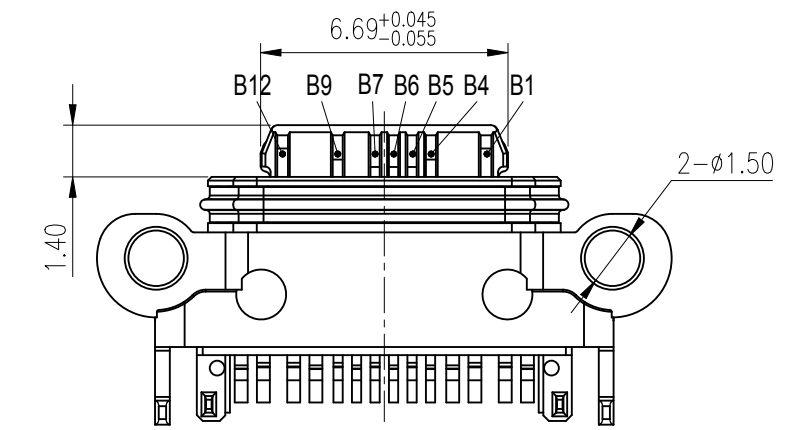
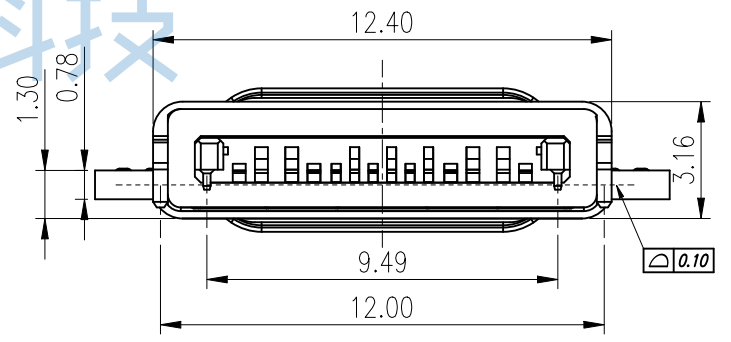
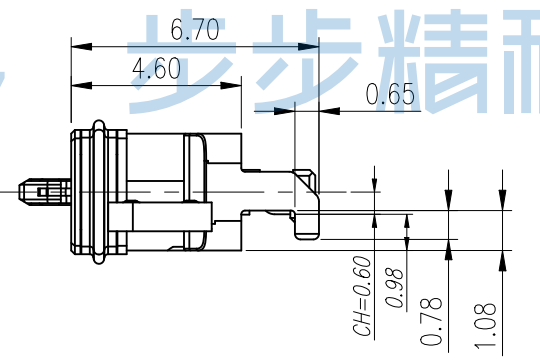
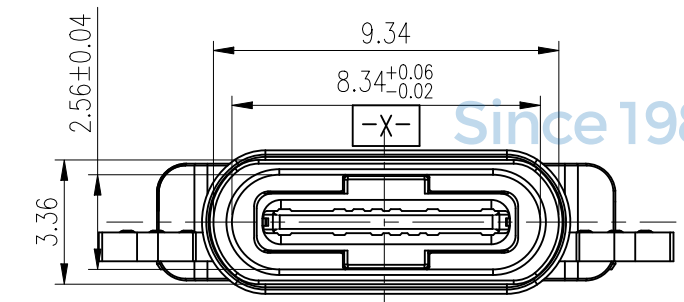
1.ELECTRICAL CHARACTERISTICS:

- 1.1 CURRENT RATING: VBUS AND GND CONTACTS RATED AT 2.5A PARALLELED FOR A TOTAL OF 10A.
- 1.2 TEMPERATURE RANGE: -40 °C ~ 85 °C
- 1.3 CONTACT RESISTANCE: 30 MILLIONHM MAX.
- 1.4 DIELECTRIC WITHSTANDING VOLTAGE: 100 VAC r.m.s
- 1.5 INSULATION RESISTANCE: 100 MEGOHMS MIN.

2.MECHANICAL CHARACTERISTICS

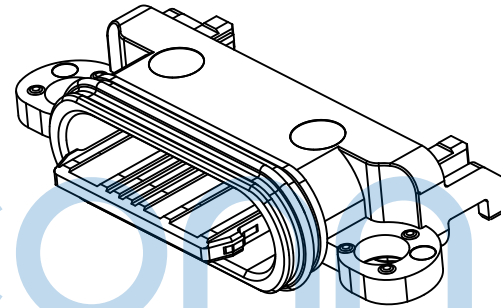
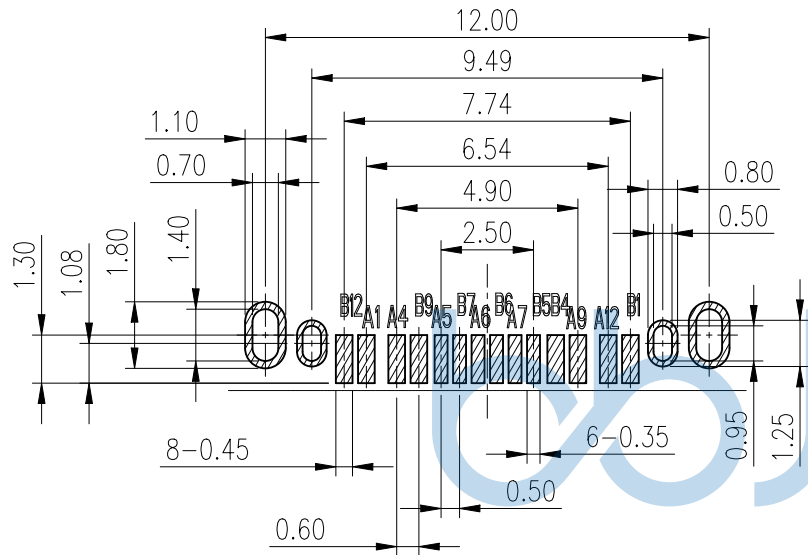
- 2.1 INSERTION FORCE: 5~20N
- 2.2 EXTRACTION FORCE: Initial:8~20N;
- 2.3 DURABILITY:10,000CYCLES

3.THE SHELL LENTH IS LESS THAN THE MINIMUM SPECIFIED BY THE USB TYPE C STANDARD.AS SUCH IS CONNOT INDEPENDENTLY BE GUARANTEED TO MEET ALL TYPE C MECHANICAL REQUIREMENTS.



THIS DOCUMENT IS THE SOLE PROPERTY OF BBJconn Technology Co.,Ltd. Corporation AND SHOULD NOT BE USED IN WHOLE OR IN PART WITHOUT PRIOR WRITTEN PERMISSION.		深圳市步步精科技有限公司	
.X: ±0.38 .X': ±3' .XX: ±0.25 .X': ±2' .XXX: ±0.13 .XX': ±1'		NAME: TYPE-C 14P 防水母座 锁板式 带凸点 端子SMT 舌片外漏1.40 沉板0.98 L=4.60 CH=0.60 IPX7 编带	
APPD.	JM_Zheng	PJ. NO.: 126-221-140001-M3G SIZE: A4 DRW NO.:	
CHKD.	LYX	FINISH: SEE NOTES MAT'L.: SEE NOTES	
PDWG.NO:	0851-1	DR.	LYL
		SCALE: N/A	REV.: A0 UNIT: mm PAGE: 1/4

REV.	ECN NO	CONTENT	DATE	ENGINEER
A0		Initial release	/	LYL



RECOMMENDED P.C.B. LAYOUT(THICKNESS:0.80MM)
UNLESS STATED TOLERANCE:±0.05(FOR REFERENCE)

步步精科技

NO.	DESCRIPTION	QTY.	MATERIAL	FINISHED
6	Plate 1~3	1 PCS	STAINLESS STEEL SUS201	None
5	MID PLATE	1 PCS	STAINLESS STEEL SUS201	None
4	CONTACT 2	1 SET	COPPER ALLOY C2680	CONTACT AREA: Au 1U" PLATED .UNDER Ni PLATED OVERALL
3	CONTACT 1	1 SET	COPPER ALLOY C2680	SOLDER AREA: Au 1U" PLATED .UNDER Ni PLATED OVERALL
2	HOUSING	1 PCS	PLASTIC LCP	Black UL94V-0
1	DIE CASTING SHELL	1 PCS	Zn Al	Ni 50~100u"

PIN ASSIGNMENT												BLADE	SHELL
A1	A2	A3	A4	A5	A6	A7	A8	A9	A10	A11	A12		
GND	TX1+	TX1-	VBUS	CC1	D+	D-	SBU1	VBUS	RX2-	RX2+	GND		
GND	RX1+	RX1-	VBUS	SBU2	D-	D+	CC2	VBUS	RX2-	RX2+	GND	GND	GND
B12	B11	B10	B9	B8	B7	B6	B5	B4	B3	B2	B1		

THIS DOCUMENT IS THE SOLE PROPERTY OF BBJconn Technology Co.,Ltd. Corporation AND SHOULD NOT BE USED IN WHOLE OR IN PART WITHOUT PRIOR WRITTEN PERMISSION.

PDWG.NO: 0851-1

APPD. JM_Zheng
CHKD. LYX
DR. LYL

NAME: TYPE-C 14P 防水母座 锁板式 带凸点 端子SMT
舌片外漏1.40 沉板0.98 L=4.60 CH=0.60 IPX7 编带

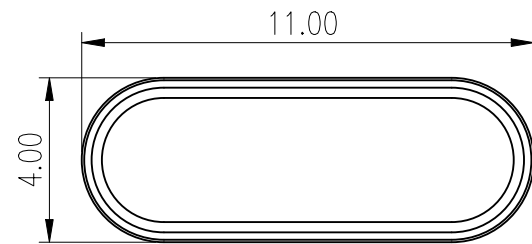
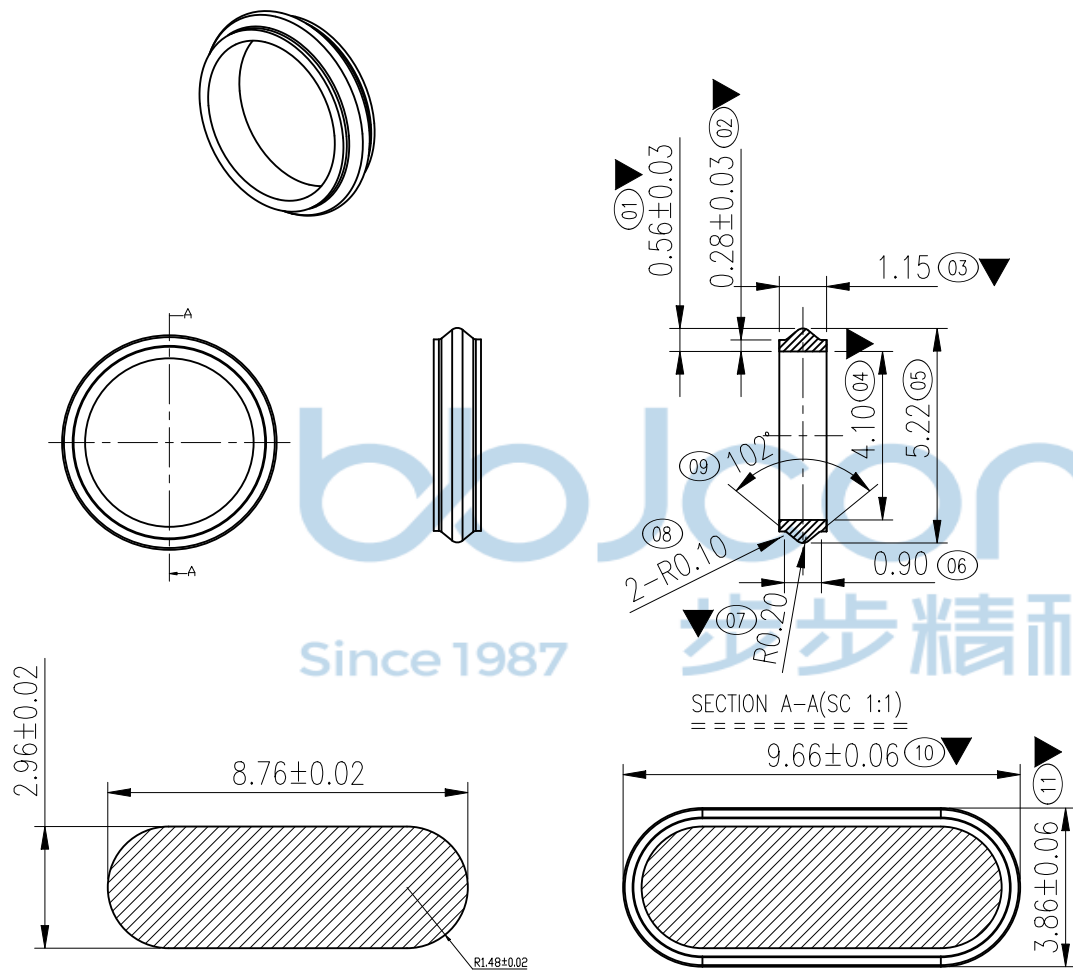
PJ. NO.: 126-221-140001-M3G
SIZE: A4 DRW NO.:

FINISH: SEE NOTES MAT'L.: SEE NOTES
SCALE: N/A REV.: A0 UNIT: mm PAGE: 2/4

REV.	ECN NO	CONTENT	DATE	ENGINEER
AO		Initial release		LYX

NOTES:

- 材料: 硅胶 (道康宁RBB-2420-50+RBB-2420-70+迈图TSE221-4U HA (52±3)°) 颜色: 红色
防火等级: UL94 HB 硬度: HA52±3度
- 整体毛边0.05MAX, 无撕破. 划伤. 缺料等外观缺陷;
- 标有"▼"记号者为重点检验尺寸。
- 标有"(XX)"记号者为FAI检验尺寸。
- 未标注尺寸公差为依自由公差为准。
- 产品满足《环境有害物质管理要求》
- 包装方式: 袋装 (5K/袋)
- 过IR炉(265度) 3次后, 尺寸符合要求, 无开裂, 收缩变形, 变色等不良。
- 拉长到如下图尺寸, 回弹后尺寸无明显变化, 符合图面管控要求。



拉长示意图

旧料号
SJ-TC04-00-0003

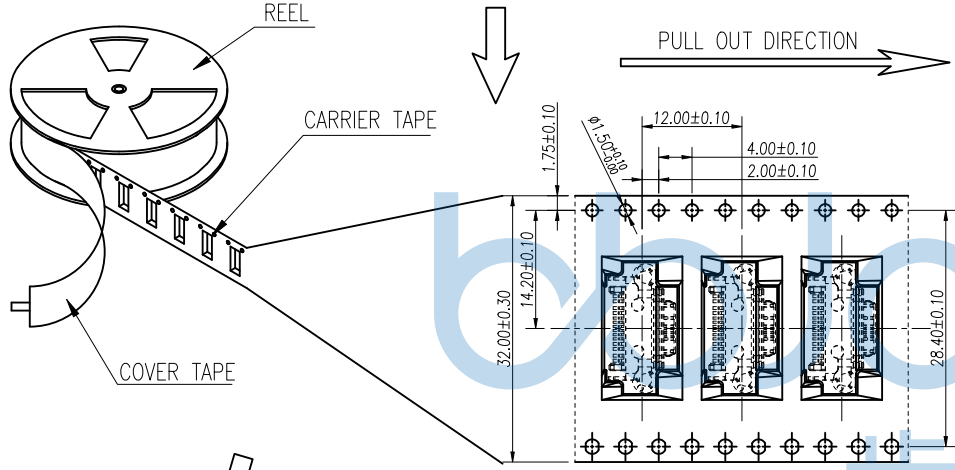
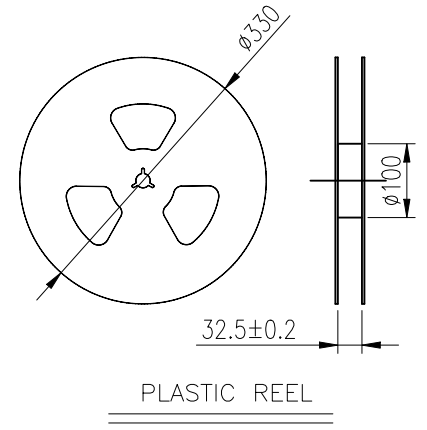
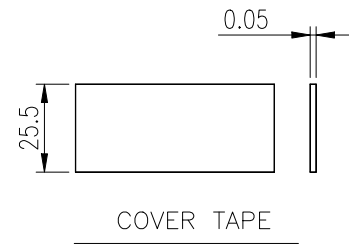
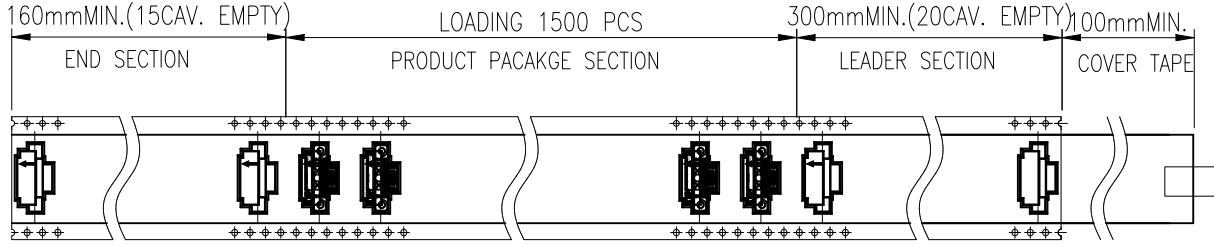
治具/外壳装硅胶圈位置尺寸示意图

装硅胶圈后尺寸

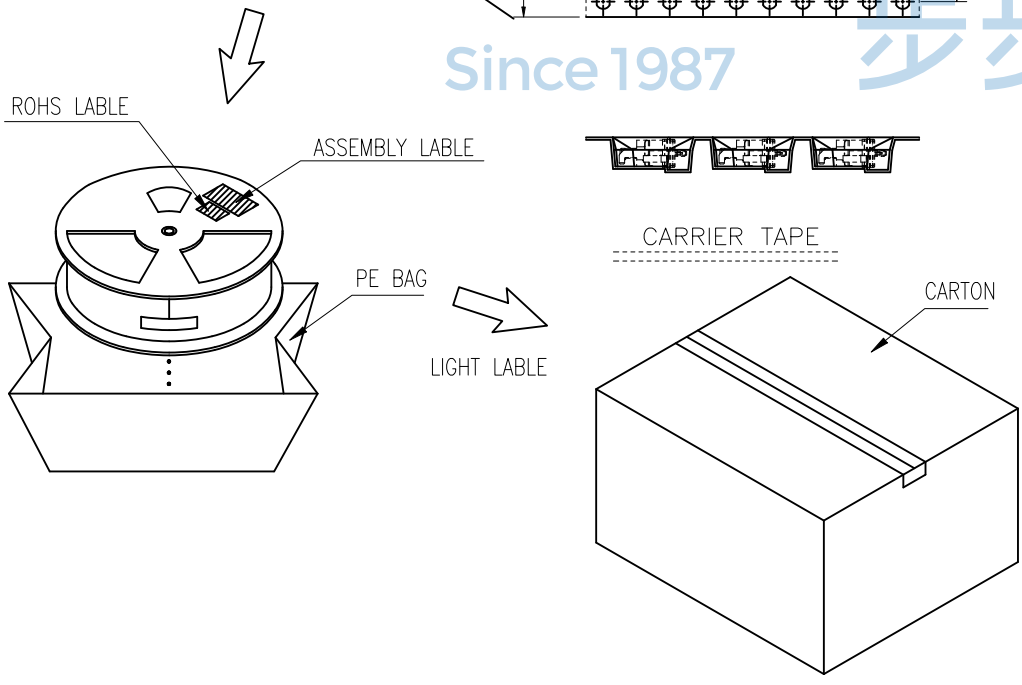


THIS DOCUMENT IS THE SOLE PROPERTY OF BBJconn Technology Co., Ltd. Corporation AND SHOULD NOT BE USED IN WHOLE OR IN PART WITHOUT PRIOR WRITTEN PERMISSION.		深圳市步步精科技有限公司	
.X: ±0.10 .XX: ±0.05 .XXX: ±0.02		X': ±3' X'': ±2' XX': ±1'	
APPD. JM_Zheng		NAME: TYPE-C 14P 防水母座 锁板式 带凸点 端子SMT 舌片外漏1.40 沉板0.98 L=4.60 CH=0.60 IPX7 编带	
CHKD. TSP		PJ. NO.: 126-221-140001-M3G	
DR. LYX		SIZE: A4 DRW NO.:	
PDWG.NO: 0851-1		FINISH: SEE NOTES MAT'L.: SEE NOTES	
		SCALE: N/A REV.: AO UNIT: mm PAGE: 3/4	

REV.	ECN NO	CONTENT	DATE	ENGINEER
A0		Initial release	/	LYL



- NOTES 2:
- MATERIAL:
 - 1.1 REEL AND AXLE: PS,BLUE
 - 1.2 CARRIER TAPE: PET, LUCID
 - 1.3 COVER TAPE: PS,TRANSPARENT
 - 1.4 SHIPPING CARTON: CORRUGATED FIBER
 - DIMENSION:
 - 2.1 REEL: W=32.5, φA=330
 - 2.2 CARRIER TAPE: T=0.50 W=32.0
 - 2.3 COVER TAPE: T=0.05 W=25.5
 - 2.4 SHIPPING CARTON: L=335mm, W=335mm, H=425mm
 - QUANTITY :
 - 3.1 PRIMAY PACKING: 1500PCS/REEL
 - 3.2 SECONARY PACKING: 10 REELS/CARTON(15000PCS/CARTON)
 - PEELING RESISTANCE: 0.1~1.3N
 - 4.1 PEELING SPEED: 300mm/minutes
 - 4.2 PEELING ANGLE: 165° ~180°



THIS DOCUMENT IS THE SOLE PROPERTY OF BBJconn Technology Co.,Ltd. Corporation AND SHOULD NOT BE USED IN WHOLE OR IN PART WITHOUT PRIOR WRITTEN PERMISSION.		深圳市步步精科技有限公司	
.X: ±0.38 .XX: ±0.25 .XXX: ±0.13		X': ±3' X'': ±2' XX': ±1'	
PDWG.NO: 0851-1		NAME: TYPE-C 14P 防水母座 锁板式 带凸点 端子SMT 舌片外漏1.40 沉板0.98 L=4.60 CH=0.60 IPX7 编带	
APPD.	JM_Zheng	PJ. NO.: 126-221-140001-M3G	
CHKD.	LYX	SIZE: A4 DRW NO.:	
DR.	LYL	FINISH: SEE NOTES MAT'L.: SEE NOTES	
		SCALE: N/A	REV.: AO UNIT: mm PAGE: 4/4