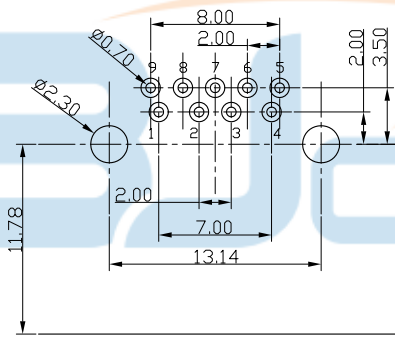
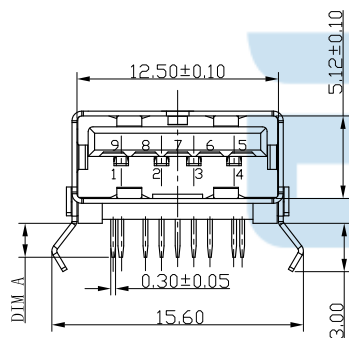
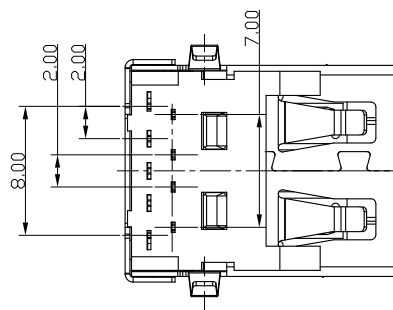
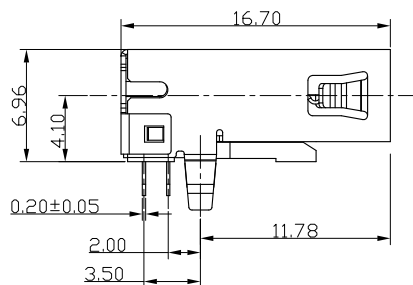




REV.	DESCRIPTION	NAME	DATE
A	NEWS ISSUE		



RECOMMENDED PCBA LAYOUT
(TOLERANCE+ ± 0.05)

NOTE:

1. MATERIAL:

- 1.1 INSULATOR:HIGH TEMPERATURE PLASTIC
- 1.2 CONTACT:BRONZE
- 1.3 SHELL: SUS

2. ELECTRICAL CHARACTERISTICS;

- 2.1 CONTACT RESISTANCE:30mΩ MAX
- 2.2 CONTACT CURRENT RATING:1.5A
- 2.3 DIELECTRIC WITHSTANDING VOLTAGE:100 V R. M. S.
- 2.4 INSULATION RESISTANCE 100 MΩ MIN
- 2.5 OPERATING TEMPERATURE:-40° C ~ 85° C

3 MECHANICAL CHARACTERISTICS:

- 3.1 MATING FORCE:3.57kgf MAX
- 3.2 UNMATING FORCE:1.02kgf MIN
- 3.3 DURABILITY:MANDATORY:1,500 CYCLES

4. PLATING

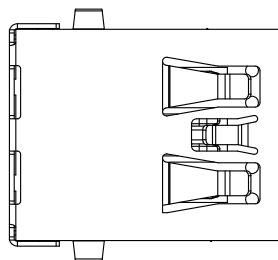
4.1 TERMINAL:

- 50u" MIN NICKEL ALL OVER
- 100u"MIN Tin ON SOLDER AREA
- (1~30)u"Au ON CONTACT AREA

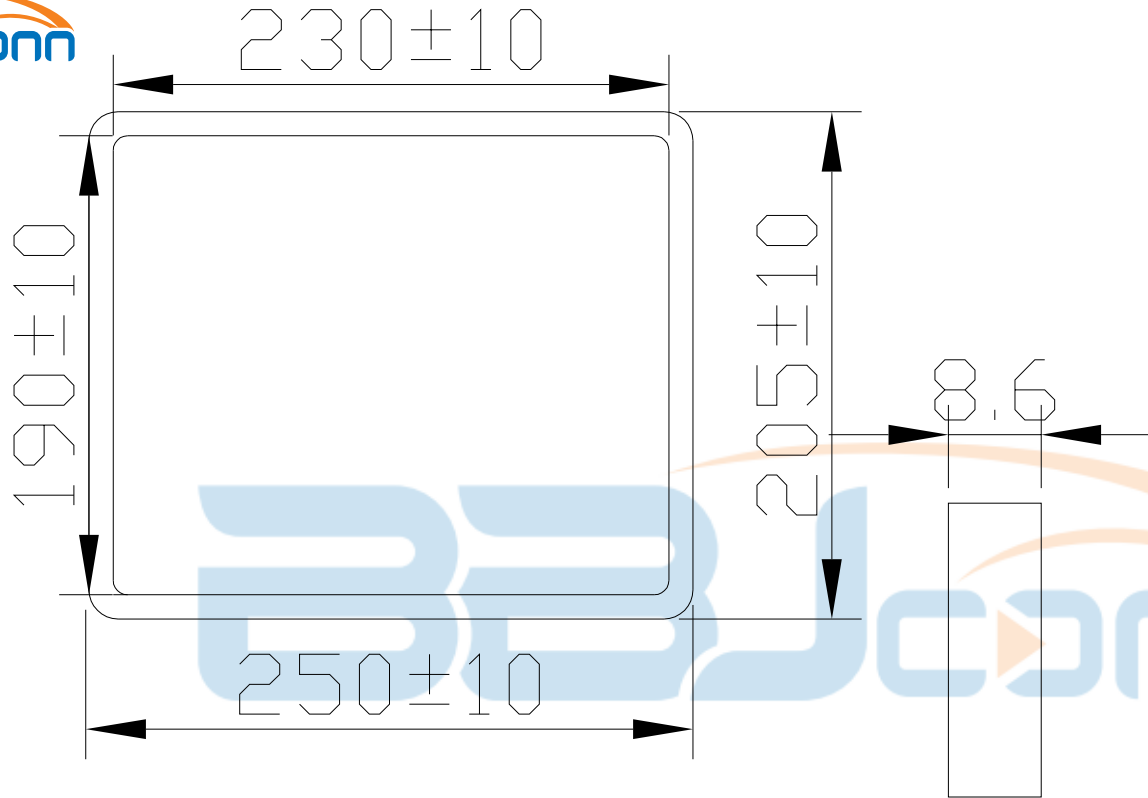
4.2 SHELL:50u"MIN.NICEL ALL OVER

Pin NUMBER	SIGNAL NAME
1	VBUS
2	D-
3	D+
4	GND
5	StdA_SSRX-
6	StdA_SSRX+
7	GND_DRAIN
8	StdA_SSTX-
9	StdA_SSTX+
Shell	Shield

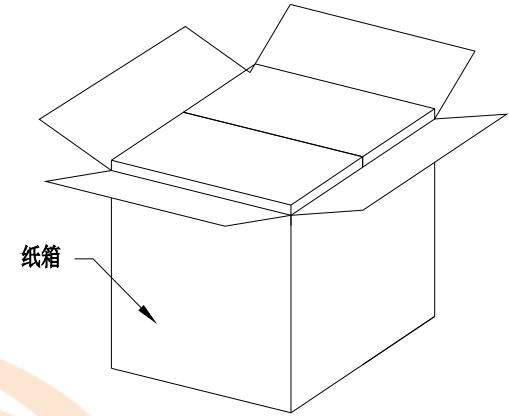
NO.	DIMA
001	2.10
002	2.30
003	2.50



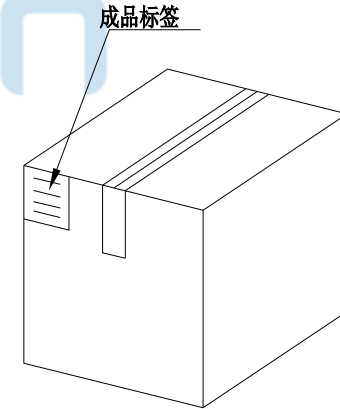
TOLERANCE UNSPECIFIED		深圳市步步精科技有限公司 TITLE: USB 3.0 AF 90度 弯脚 L=16.70 H=6.96 平口 LCP蓝胶 不锈钢外壳	
X ±0.30 .X ±0.20 .XX ±0.20 .XXX ±0.10	X° ±3° .X° ±2° .XX° ±1° .XXX° ±0.5°	DRAWN/ DATE 设计 LJR	SIZE:A4 UNIT:MM. PART. NO: UB.03.12-33-W001
CHECKED/ DATE 审核 LYX	APPROVED/ DATE 核准 LJP	SCALE: 1:1 PROJECTION 	REV.: 版本 SHEET: 页码
		DWG. PATH 0471-1	



REV.	DESCRIPTION	NAME	DATE
A	NEWS ISSUE		



纸箱



成品标签

纸箱规格: 350*210*290

1. 包装要求:

- 1.1 每盒吸塑盒包装100 pcs;
- 1.2 每20盘放一箱, 共计2000PCS;
- 1.3 纸箱外贴上标签



TOLERANCE UNSPECIFIED		深圳市步步精科技有限公司 TITLE: USB 3.0 AF 90度 弯脚 L=16.70 H=6.96 平口 LCP蓝胶 不锈钢外壳			
.0	±0.35	SIZE: A4	UNIT: MM.	PART. NO: UB.03.12-33-W001	
.00	±0.25	CHECKED/ DATE	SCALE: 1:1	PROJECTION	REV.: 版本
.000	±0.15	APPROVED/ DATE	DWG. PATH	0471-1	SHEET: 页码
X.°	±2.00°				
CUSTOMER DRAWING					