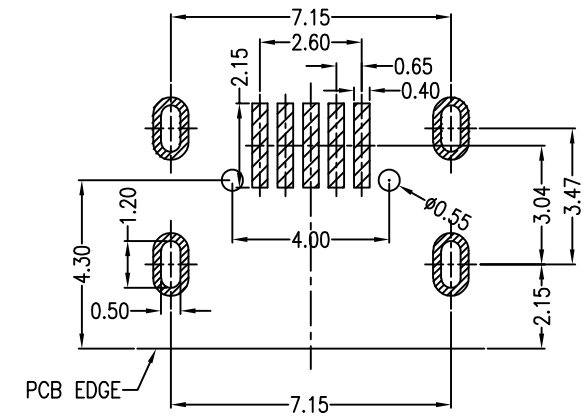
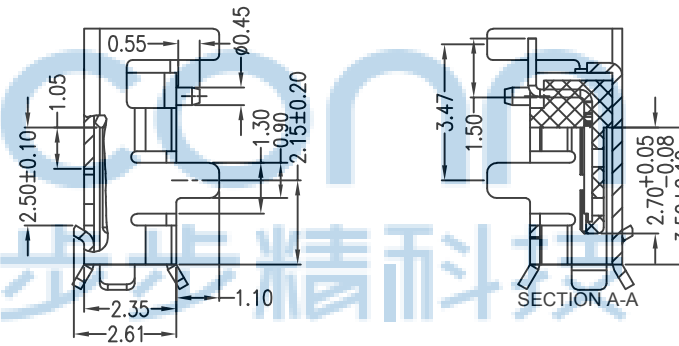
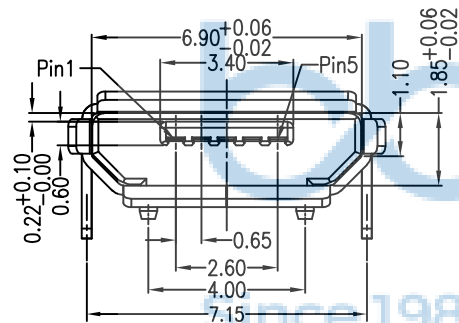
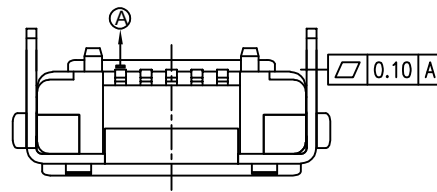
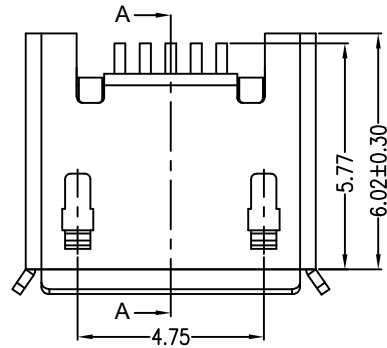
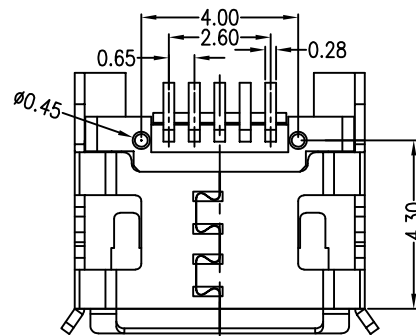


REV.	ECN NO.	CONTENT	DATE	ENGINEER
AO			2023 20/04	



RECOMMENDED PCB LAYOUT
PCB图仅供参考



Note:

1. Material:

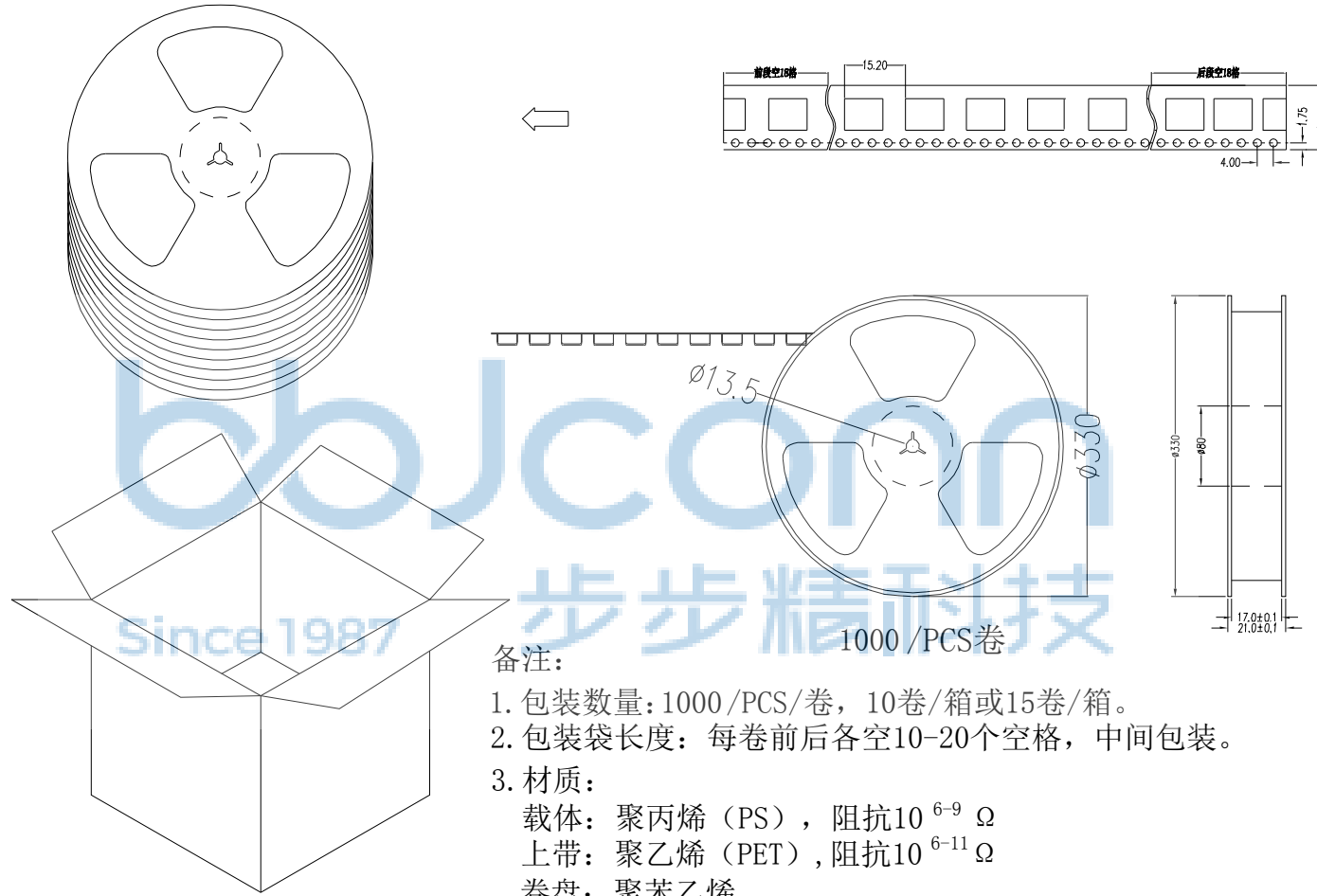
- 1.1 Housing: High temperature thermoplastic with g. f, UL94v-0
- 1.2 Contact: copper alloy, t=0.20mm
- 1.3 Shell: C2680 / SUS304, t=0.25mm

2. Specification:

- 2.1 Current rating: 1,5PIN 1.8A Max/2,3,4PIN 1A Max.
- 2.2 Dielectric withstanding voltage: 100 V(ac) for 1 min.
- 2.3 Contact resistance: 30 mΩ Max.
- 2.4 Insulation resistance: 100 MΩ Min.
- 2.5 Total mating force: 3.57 Kgf Max.
- 2.6 Total unmating force: 1.0 Kgf Min.
- 2.7 Temperature range: -30° C~80° C

THIS DOCUMENT IS THE SOLE PROPERTY OF BBJconn Technology Co.,Ltd. Corporation AND SHOULD NOT BE USED IN WHOLE OR IN PART WITHOUT PRIOR WRITTEN PERMISSION.		深圳市步步精科技有限公司 .X: ±0.38 .X': ±3" .XX: ±0.25 .X': ±2" .XXX: ±0.13 .XX': ±1"		NAME: MICRO-5P 四脚插 固定脚距7.2 有柱 卷边 铜壳 亮锡	
APPD.	JM_Zheng	23/05'02	PJ. NO.: MC.01.51-21-1002 SIZE: A4 DRW NO.:		
CHKD.	LYX	23/05'02	FINISH: SEE NOTES MAT'L.: SEE NOTES		
PDWG.No:	0113-1	DR.	SGF	23/05'02	SCALE: N/A REV.: A3 UNIT: mm PAGE: 1/1

REV.	ECN NO	CONTENT	DATE	ENGINEER
A0			2023 20/04	



- 备注:
1. 包装数量: 1000 /PCS /卷, 10卷 /箱或15卷 /箱。
 2. 包装袋长度: 每卷前后各空10-20个空格, 中间包装。
 3. 材质:
载体: 聚丙烯 (PS), 阻抗 $10^{6-9} \Omega$
上带: 聚乙烯 (PET), 阻抗 $10^{6-11} \Omega$
卷盘: 聚苯乙烯。

纸箱规格: 345*345*23MM
纸箱规格: 345*345*35MM



THIS DOCUMENT IS THE SOLE PROPERTY OF BBJconn Technology Co.,Ltd. Corporation AND SHOULD NOT BE USED IN WHOLE OR IN PART WITHOUT PRIOR WRITTEN PERMISSION.		深圳市步步精科技有限公司 .X: ±0.38 .XX: ±0.25 .XXX: ±0.13 X*: ±3* X*: ±2* XX*: ±1*		NAME: MICRO-5P 四脚插 固定脚距7.2 有柱 卷边 铜壳 亮锡 PJ. NO.: MC.01.51-21-1002 SIZE: A4 DRW NO.: FINISH: SEE NOTES MAT'L.: SEE NOTES	
PDWG.NO: 0113-1	DR.	SGF	23/05'02	SCALE: N/A	REV.: A3
			UNIT: mm	PAGE: 1/1	