

REV.	ECN NO.	CONTENT	DATE	ENGINEER
AO			2023 20/04	

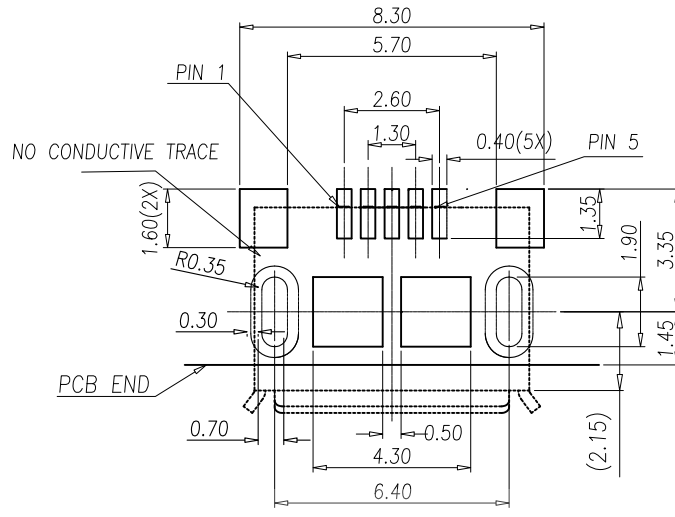
NOTES:

MATERIALS

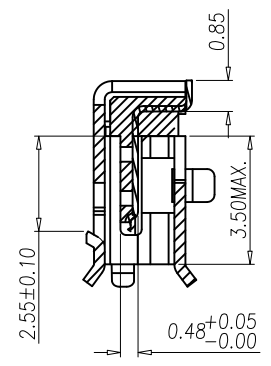
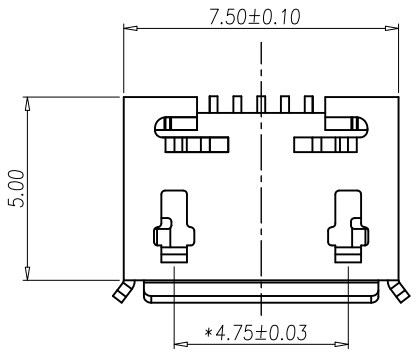
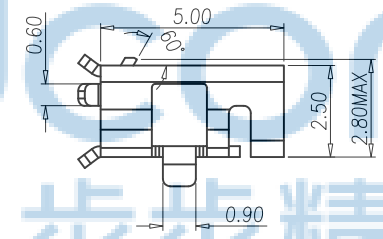
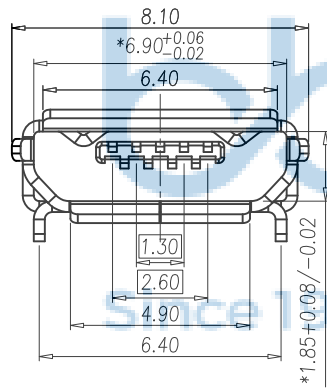
- HOUSING:  
HI-TEMP. PLASTIC UL 94V-0 BLACK
- CONTACT  
COPPER ALLOY, T=0.15mm  
GOLD PLATED ON CONTACT AREA  
GOLD FLASH PLATED ON SOLDER TAILS UNDER NICKEL PLATED
- SHELL:  
STAINLESS STEEL OR COPPER ALLOY T=0.3mm  
MATTE TIN PLATING OVERALL UNDER NICKEL PLATED

SPECIFICATIONS

- VOLTAGE RATING: 30V AC
- CURRENT RATING: WHEN APPLYING CURRENT ONLY TO SIGNAL TERMINALS:  
1.0A (FOR TERMINAL NO. 2, 3 AND 4)  
WHEN APPLYING CURRENT ONLY TO POWER TERMINALS:  
1.8A (FOR TERMINAL NO. 1 AND 5)  
0.5A (FOR TERMINAL NO. 2, 3 AND 4)
- INSULATION RESISTANCE: 100M MINIAT 100V DC
- DIELECTRIC WITHSTANDING VOLTAGE: 100V (r. m. s) AC FOR 1 MINUTE
- CONTACT RESISTANCE: 30m MAX.
- OPERATING TEMPERATURE: -30 TO +80°C

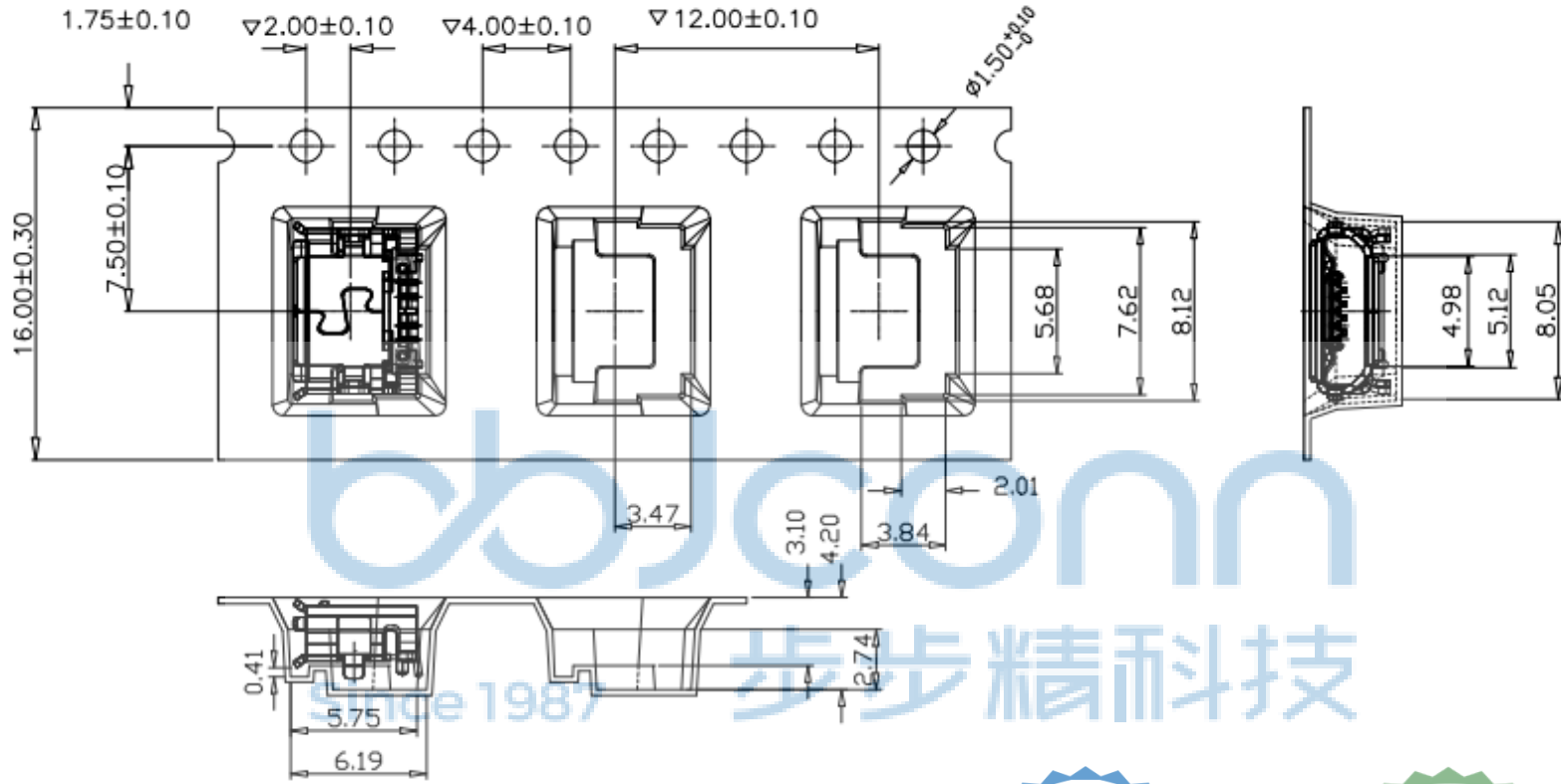


PCB LAYOUT(±0.05)



THIS DOCUMENT IS THE SOLE PROPERTY OF BBJconn Technology Co.,Ltd. Corporation AND SHOULD NOT BE USED IN WHOLE OR IN PART WITHOUT PRIOR WRITTEN PERMISSION. PDWG.NO: 0526-1	深圳市步步精科技有限公司		NAME: MICRO 5P 母座 L=5.00 内插无柱 脚距6.40 端子SMT 卷边 雾锡 不锈钢外壳	
	.X: ±0.38	.X': ±3'	PJ. NO.: MC.01.21-11-J002	
	.XX: ±0.25	.X': ±2'	SIZE: A4 DRW NO.:	
	.XXX: ±0.13	.X': ±1'	FINISH: SEE NOTES MAT'L.: SEE NOTES	
	APPD. JM_Zheng 23/05'02	CHKD. LYX 23/05'02	SCALE: N/A REV.: A3 UNIT: mm PAGE: 1/1	

REV.	ECN NO	CONTENT	DATE	ENGINEER
A0			2023 20/04	



**NOTE:**

- 10 sprocket hole pitch cumulative tolerance  $\pm 0.20$ .
- Carrier camber is within 1mm Max. in 250mm.
- All dimensions meet EIA-481-D requirements.
- Material: Polystyrene
- Thickness:  $0.3t$
- Recommend hub diameter: \_\_\_\_\_ mm.
- Packing length per 22" reel: \_\_\_\_\_ Meters; per 13" reel: 12.5 Meters.
- Component load per 13" reel: 1500 pcs.



封箱方式	顶部、底部“一”字封箱法
标签	贴外箱标签, 并在外箱标签上编序号
圆盘	13"16宽普通, 横着放
纸箱	345*345*355 纸箱; 16R/箱
项目	要求

THIS DOCUMENT IS THE SOLE PROPERTY OF BBJconn Technology Co.,Ltd. Corporation AND SHOULD NOT BE USED IN WHOLE OR IN PART WITHOUT PRIOR WRITTEN PERMISSION.		PDWG.NO: 0526-1		深圳市步步精科技有限公司 .X: $\pm 0.38$ .XX: $\pm 0.25$ .XXX: $\pm 0.13$ X': $\pm 3'$ X'': $\pm 2'$ XX': $\pm 1'$		NAME: MICRO 5P 母座 L=5.00 内插无柱 脚距6.40 端子SMT 卷边 不锈钢外壳	
APPD.	JM_Zheng	23/05'02	PJ. NO.: MC.01.21-11-J002		SIZE: A4		DRW NO.:
CHKD.	LYX	23/05'02	FINISH: SEE NOTES		MAT'L.: SEE NOTES		
DR.	SGF	23/05'02	SCALE: N/A	REV.: A3	UNIT: mm	PAGE: 1/1	