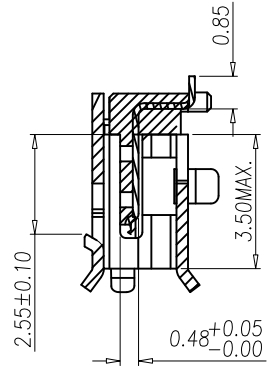
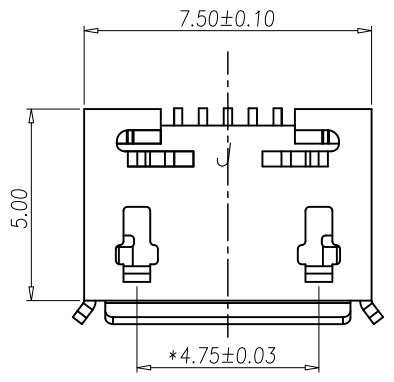
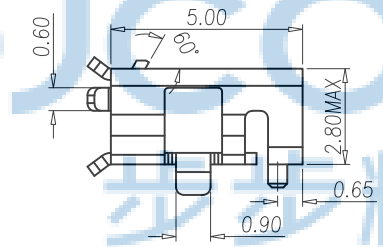
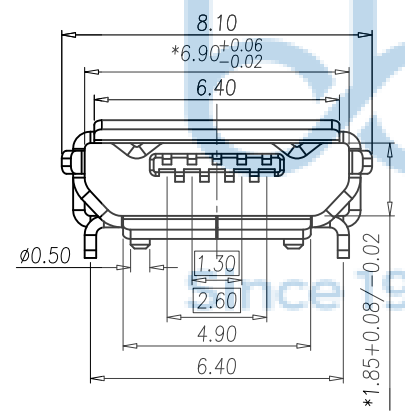
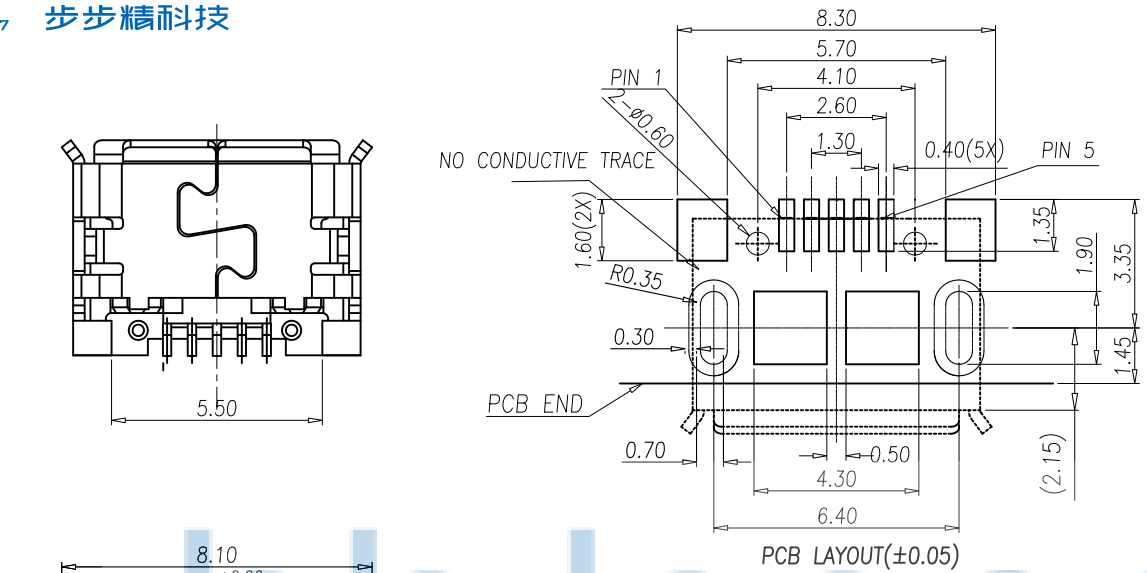


REV.	ECN NO.	CONTENT	DATE	ENGINEER
AO			2023 20/04	



NOTES:

MATERIALS

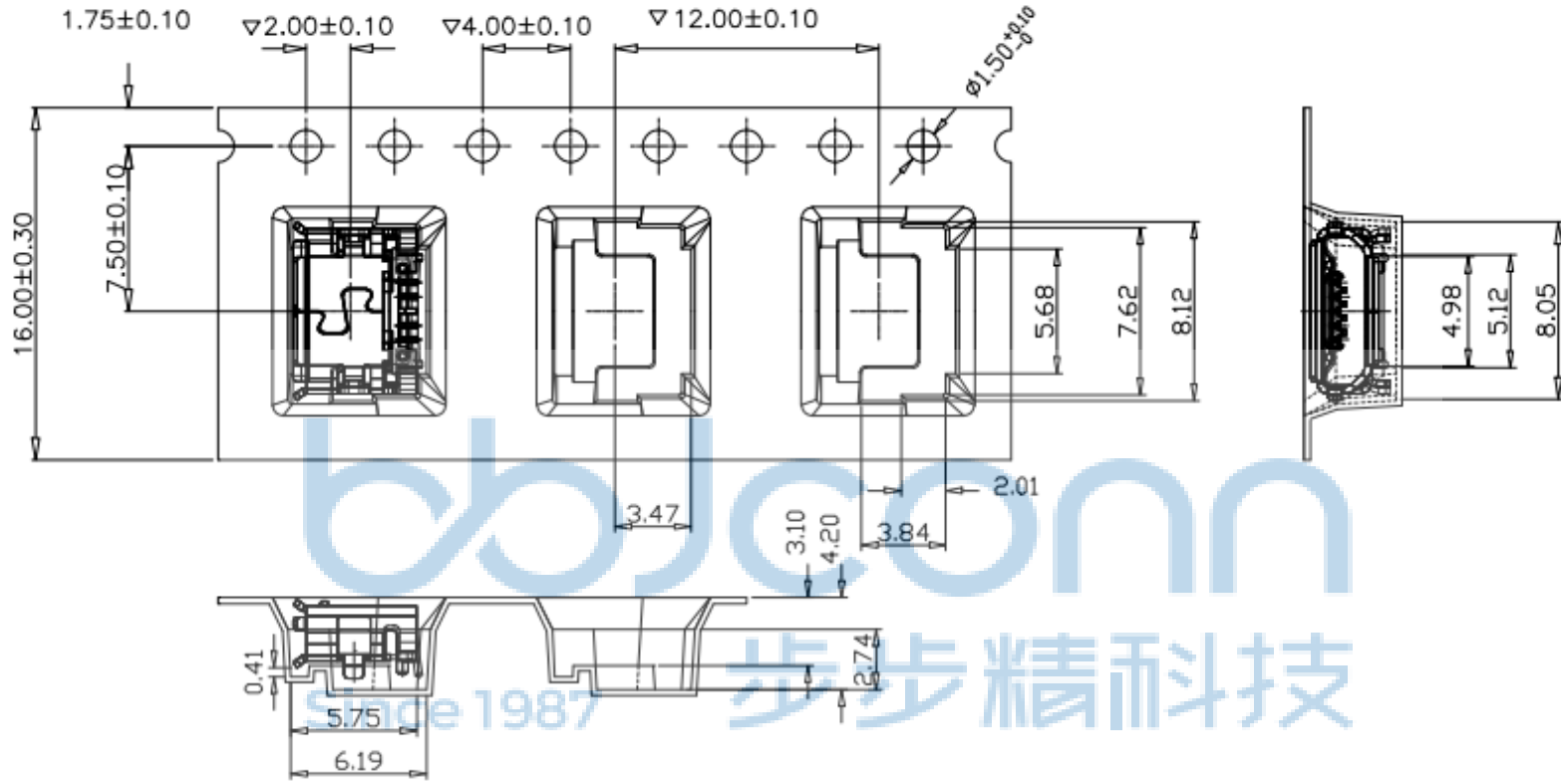
- HOUSING:
HI-TEMP. PLASTIC UL 94V-0 BLACK
- CONTACT
COPPER ALLOY, T=0.15mm
GOLD PLATED ON CONTACT AREA
GOLD FLASH PLATED ON SOLDER TAILS UNDER NICKEL PLATED
- SHELL:
STAINLESS STEEL OR COPPER ALLOY T=0.3mm
MATTE TIN PLATING OVERALL UNDER NICKEL PLATED

SPECIFICATIONS

- VOLTAGE RATING: 30V AC
- CURRENT RATING: WHEN APPLYING CURRENT ONLY TO SIGNAL TERMINALS:
1.0A (FOR TERMINAL NO. 2, 3 AND 4)
WHEN APPLYING CURRENT ONLY TO POWER TERMINALS:
1.8A (FOR TERMINAL NO. 1 AND 5)
0.5A (FOR TERMINAL NO. 2, 3 AND 4)
- INSULATION RESISTANCE: 100M MIN AT 100V DC
- DIELECTRIC WITHSTANDING VOLTAGE: 100V (r.m.s) AC FOR 1 MINUTE
- CONTACT RESISTANCE: 30m MAX.
- OPERATING TEMPERATURE: -30 TO +80°C



THIS DOCUMENT IS THE SOLE PROPERTY OF BBJconn Technology Co., Ltd. Corporation AND SHOULD NOT BE USED IN WHOLE OR IN PART WITHOUT PRIOR WRITTEN PERMISSION.		深圳市步步精科技有限公司	
APPD.	JM_Zheng	23/05'02	NAME: MICRO 5P 母座 L=5.00 内插有柱 脚距6.40 端子SMT 卷边 雾锡 不锈钢外壳
CHKD.	LYX	23/05'02	PJ. NO.: MC.01.21-11-J006
DR.	SGF	23/05'02	SIZE: A4 DRW NO.:
PDWG.NO:	0526-1		FINISH: SEE NOTES MAT'L.: SEE NOTES
			SCALE: N/A REV.: A3 UNIT: mm PAGE: 1/1



NOTE:

1. 10 sprocket hole pitch cumulative tolerance ± 0.20 .
2. Carrier camber is within 1mm Max. in 250mm.
3. All dimensions meet EIA-481-D requirements.
4. Material: Polystyrene
5. Thickness: $0.3t$
6. Recommend hub diameter: _____ mm.
7. Packing length per 22" reel: _____ Meters; per 13" reel: 12.5 Meters.
8. Component load per 13" reel: 1500 pcs.

封箱方式	顶部、底部“一”字封箱法
标签	贴外箱标签, 并在外箱标签上编序号
圆盘	13"16宽普通, 横着放
纸箱	345*345*355 纸箱; 16R/箱
项目	要求

THIS DOCUMENT IS THE SOLE PROPERTY OF BBJconn Technology Co.,Ltd. Corporation AND SHOULD NOT BE USED IN WHOLE OR IN PART WITHOUT PRIOR WRITTEN PERMISSION.		深圳市步步精科技有限公司 .X: ± 0.38 .X': $\pm 3'$.XX: ± 0.25 .X'': $\pm 2'$.XXX: ± 0.13 .X''': $\pm 1'$	
APPD.	JM_Zheng	23/05'02	NAME: MICRO 5P 母座 L=5.00 内插有柱 脚距6.40 端子SMT 卷边 雾锡 不锈钢外壳
CHKD.	LYX	23/05'02	PJ. NO.: MC.01.21-11-J006 SIZE: A4 DRW NO.:
PDWG.NO:	0526-1	DR.	SGF
		23/05'02	FINISH: SEE NOTES MAT'L.: SEE NOTES SCALE: N/A REV.: A3 UNIT: mm PAGE: 1/1