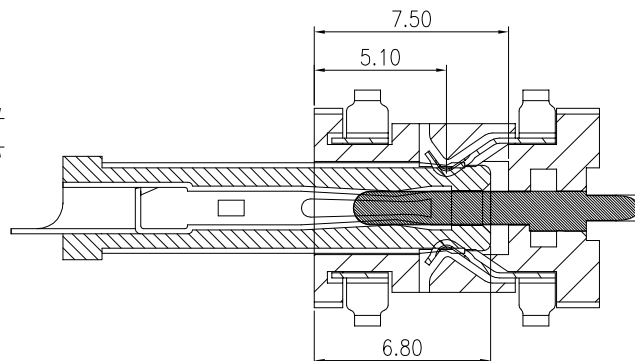
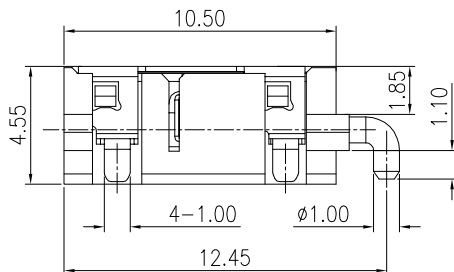
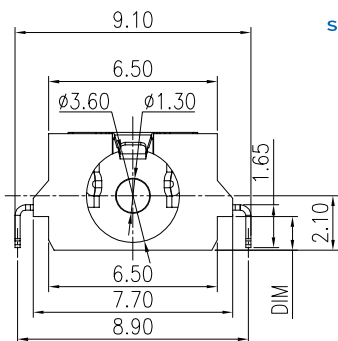
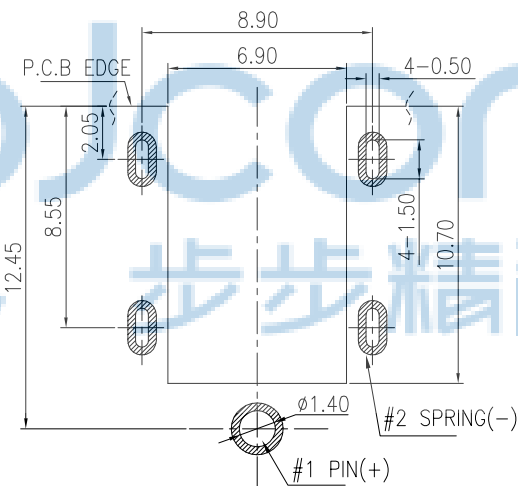
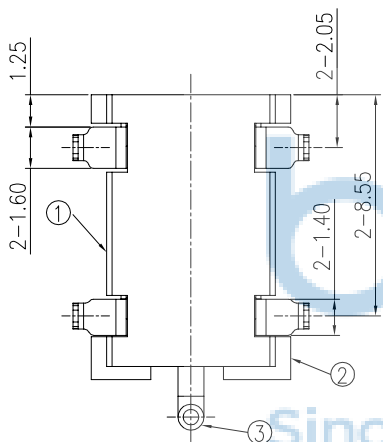


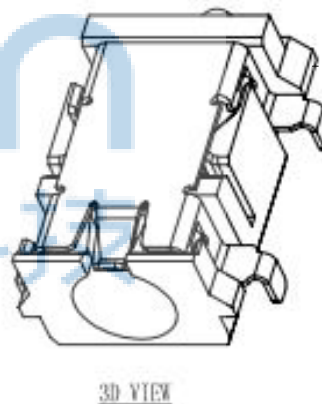
SPECIFICATIONS:
 1. ELECTRICAL CHARACTERISTICS:
 1-1. RATING: 24V 3A
 1-2. CONTACT RESISTANCE: 50mΩ MAX.(INITIAL)
 1-3. DIELECTRIC WITHSTANDING VOLTAGE: 500V AC FOR ONE MINUTE
 1-4. INSULATION RESISTANCE: 100MΩ MIN. MEASURED BY 500V DC
 2. MECHANICAL CHARACTERISTICS:
 2-1. INSERTION FORCE : 0.3~3.0 KGF
 2-2. WITHDRAWAL FORCE : 0.3~3.0 KGF
 3. LIFE TEST: 5,000 CYCLES MIN.
 4. FOR REFLOW SOLDERING LEAD-FREE PROCESS.



DC JACK INSERT DEPTH



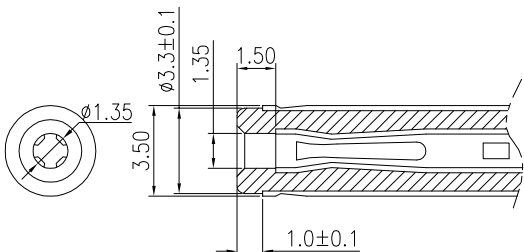
RECOMMENDED PCB LAYOUT
TOP VIEW (TOLERANCE:±0.05)



3D VIEW

料号说明:

序号	产品料号	DIM
1	DCJR0005-F02G1BR-A	0.80
2	DCJR0006-F02G1BR-A	1.30
3	DCJR0007-F02G1BR-A	1.50



MATE PLUG



ELECTRICAL CIRCUIT

NO.	DESCRIPTION	QTY	MATERIAL	PLATING & COLOR
③	CENTER PIN	1	BRASS ϕ 1.3	Au
②	TERMINAL	1	PHOSPHOR BRONZE 0.2t	Au
①	HOUSING	1	HIGHT TEMPERATURE PLASTIC	Black

THIS DOCUMENT IS THE
SOLE PROPERTY OF
BBJconn Technology Co.,Ltd.
Corporation AND SHOULD
NOT BE USED IN WHOLE
OR IN PART WITHOUT
PRIOR WRITTEN PERMISSION.
PDWG.NO: 0076-1

深圳市步步精科技有限公司

NAME: DC座 1.30针 全铜 沉板 四脚插 (DCJR000X-F02G1BR-A 客户图)

PJ. NO.: DC.03.42-12-B001

SIZE: A4 | DRW NO.:

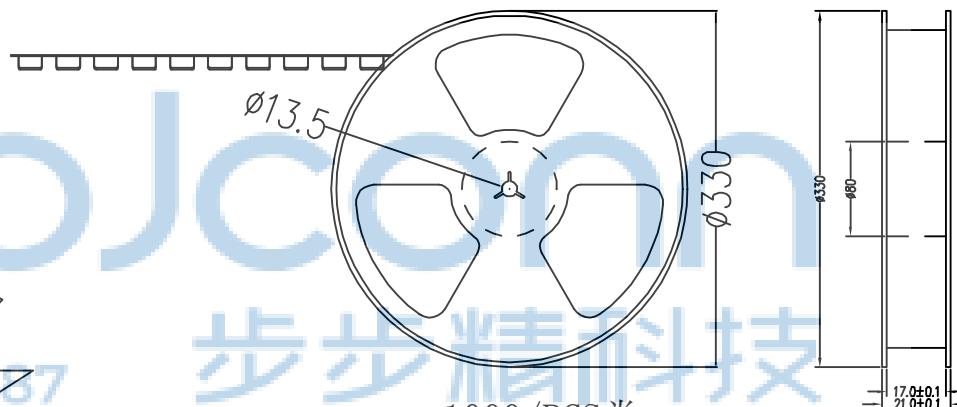
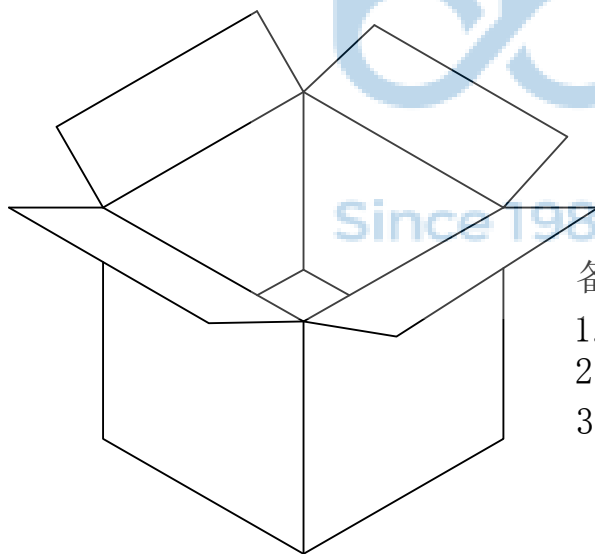
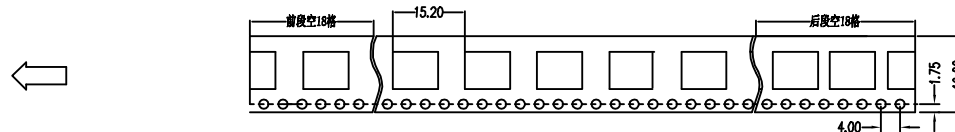
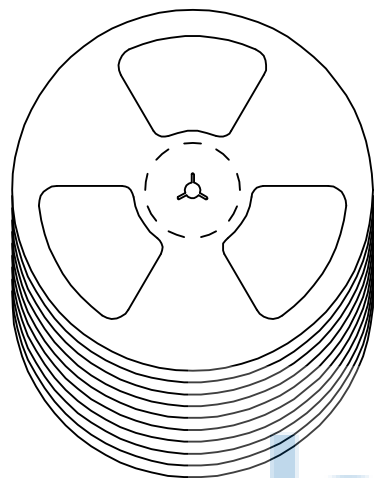
FINISH: SEE NOTES | MAT'L.: SEE NOTES

SCALE: N/A | REV.: A3 | UNIT: mm | PAGE: 1/1

APPD. JM_Zheng 23/05'02

CHKD. LYX 23/05'02

DR. SGF 23/05'02



备注:

1. 包装数量: 1000/PCS/卷, 10卷/箱或15卷/箱。
2. 包装袋长度: 每卷前后各空10-20个空格, 中间包装。
3. 材质:
载体: 聚丙烯 (PS), 阻抗 $10^{6-9} \Omega$
上带: 聚乙烯 (PET), 阻抗 $10^{6-11} \Omega$
卷盘: 聚苯乙烯。

纸箱规格: 345*345*23MM

纸箱规格: 345*345*35MM

THIS DOCUMENT IS THE SOLE PROPERTY OF BBJconn Technology Co.,Ltd. Corporation AND SHOULD NOT BE USED IN WHOLE OR IN PART WITHOUT PRIOR WRITTEN PERMISSION.		深圳市步步精科技有限公司 .X: ± 0.38 .X': $\pm 3^*$.XX: ± 0.25 .X'': $\pm 2^*$.XXX: ± 0.13 .XX': $\pm 1^*$		NAME: DC座 1.30针 全铜 沉板 四脚插 (DCJR000X-F02G1BR-A 客户图)	
APPD.	JM_Zheng	23/05'02	PJ. NO.: DC.03.42-12-B001		SIZE: A4
CHKD.	LYX	23/05'02	FINISH: SEE NOTES		MAT'L.: SEE NOTES
PDWG.NO:	0076-1	DR.	SGF	23/05'02	SCALE: N/A
				REV.: A3	UNIT: mm
				PAGE: 1/1	