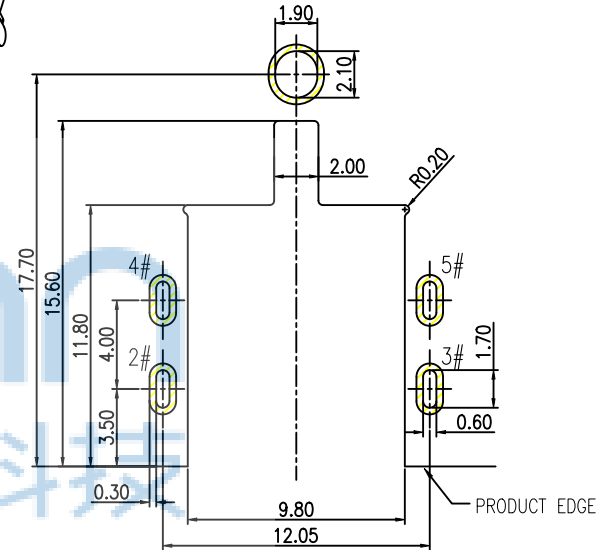
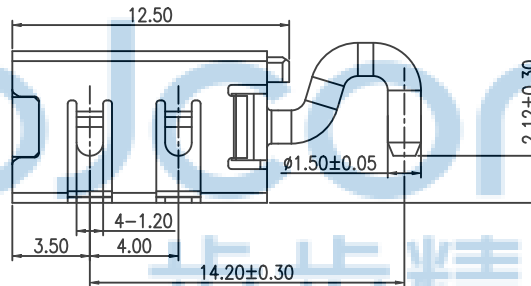
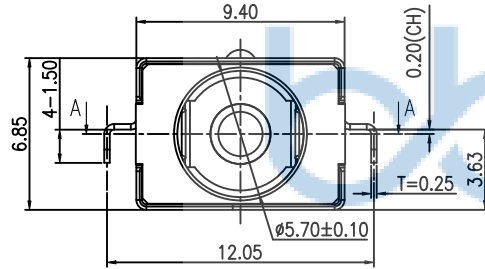
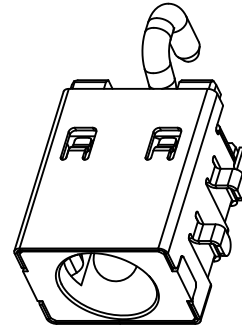
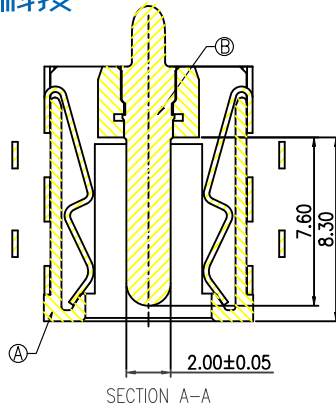
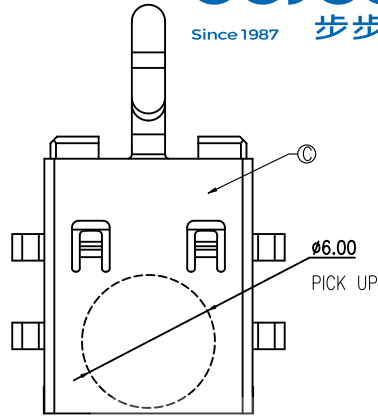


REV.	ECN NO	CONTENT	DATE	ENGINEER
AO			2023 20/04	

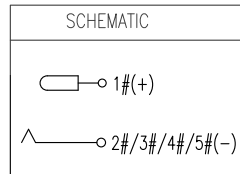
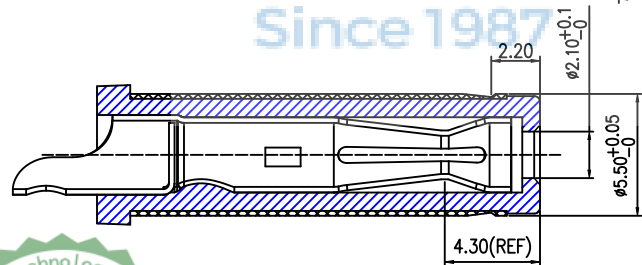
SPECIFICATION:

1. RATING: DC 30V 15A
2. CONTACT RESISTANCE:
30m? MAX(INITIAL).
50m? MAX(FINAL).
3. INSULATION RESISTANCE: 100 M? MIN.
4. WITHSTAND VOLTAGE: 500 VAC
5. INSERTION FORCE: 30N MAX.
6. EXTRACTION FORCE: 3N MIN.
7. DURABILITY: 5,000 CYCLES



RECOMMENDED PCB LAYOUT
TOP VIEW TOLERANCE:±0.05

C	SHELL	C5210	Ni 40u" MIN.	1
B	CENTER PIN	BRASS	GOLD FLASH /Ni 40u" MIN.	1
A	HOUSING	PA10T	BLACK	1
no.	DESCRIPTION	MATERIAL	REMARKS	QTY



MATING PLUG



THIS DOCUMENT IS THE SOLE PROPERTY OF BBJconn Technology Co., Ltd. CORPORATION AND SHOULD NOT BE USED IN WHOLE OR IN PART WITHOUT PRIOR WRITTEN PERMISSION.
PDWG.NO: 0386-2

深圳市步步精科技有限公司

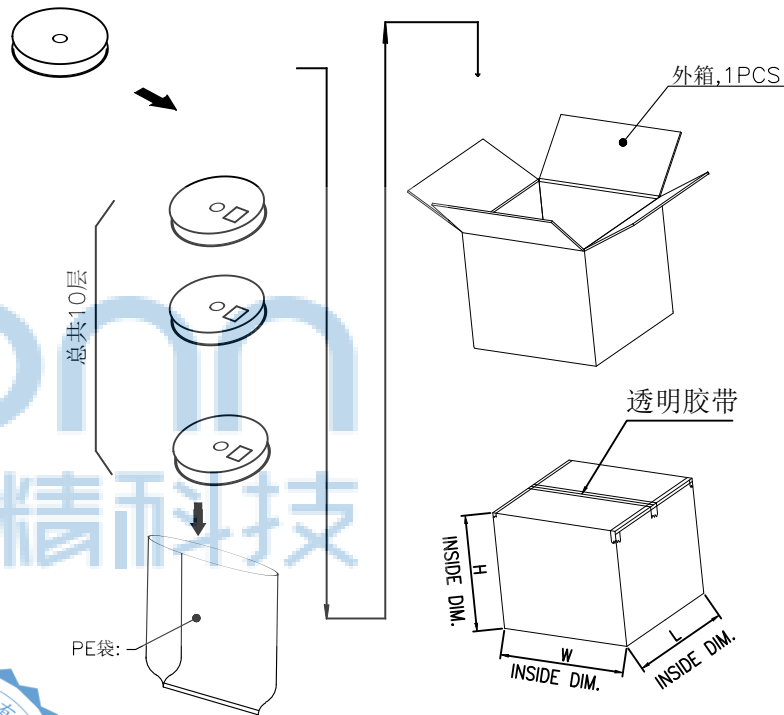
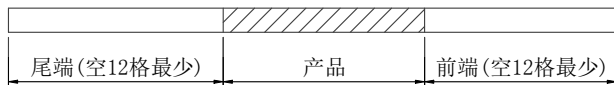
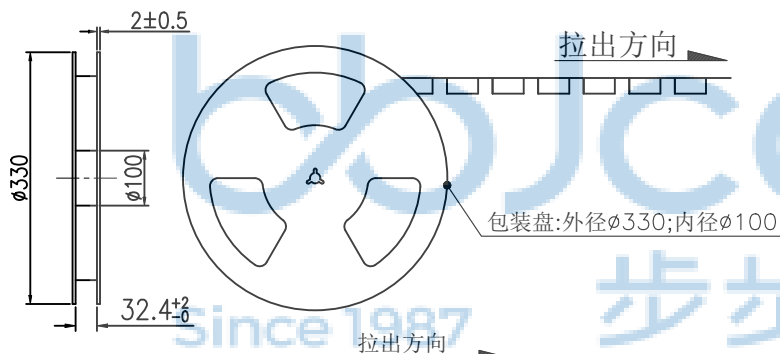
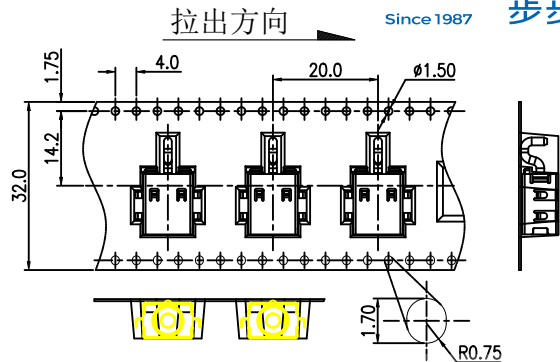
NAME: DC座 DC-2.0针 全铜 卧式 四脚插 (DC550200-1158-20000H)

PJ. NO.: DC.02.62-12-G007
SIZE: A4 DRW NO.:

FINISH: SEE NOTES MAT'L: SEE NOTES
SCALE: N/A REV.: A3 UNIT: mm PAGE: 1/1

APPD. JM_Zheng 23/05'02
CHKD. LYX 23/05'02
DR. SGF 23/05'02

REV.	ECN NO.	CONTENT	DATE	ENGINEER
AO			2023 20/04	



备注:

- 材料规格:
 - 1.1 载带: $T=0.50\text{mm}$
 - 1.2 包装盘: 蓝色
 - 1.3 纸箱: $L=335, W=335, H=380$
- 包装数量:
 - 400PCS/卷, 10卷(4000PCS)/箱
- 上盖带拔离力: $0.1\text{N} \sim 0.7\text{N}$ ($10 \sim 70\text{gf}$);
拔离角度: $165^\circ \sim 180^\circ$;
拔离速度: $300\text{mm}/\text{分钟}$.



THIS DOCUMENT IS THE SOLE PROPERTY OF BBJconn Technology Co., Ltd. Corporation AND SHOULD NOT BE USED IN WHOLE OR IN PART WITHOUT PRIOR WRITTEN PERMISSION.		PDWG.NO: 0386-2		DR. SGF 23/05/02		深圳市步步精科技有限公司 NAME: DC座 DC-2.0针 全铜 卧式 四脚插 (DC550200-1158-20000H) PJ. NO.: DC.02.62-12-G007 SIZE: A4 DRW NO.: FINISH: SEE NOTES MAT'L: SEE NOTES SCALE: N/A REV.: A3 UNIT: mm PAGE: 1/1	
.X: ± 0.38	.XX: ± 0.25	.XXX: ± 0.13	X': $\pm 3'$	X'': $\pm 2'$.XX': $\pm 1'$		