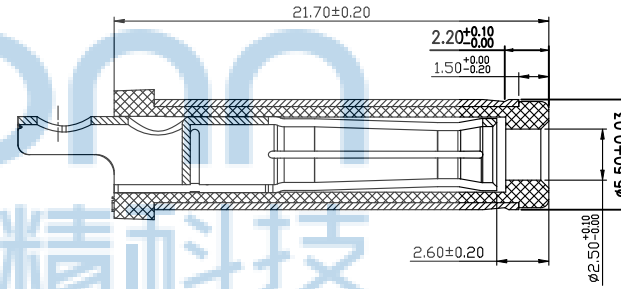
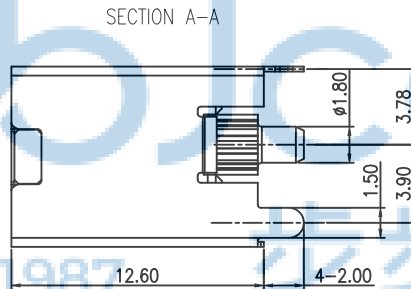
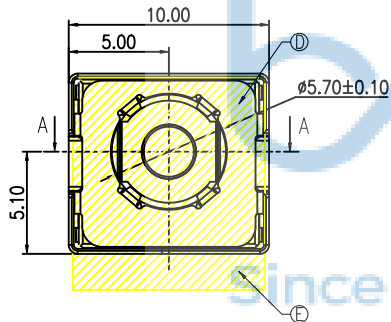
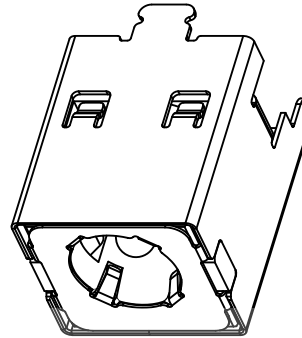
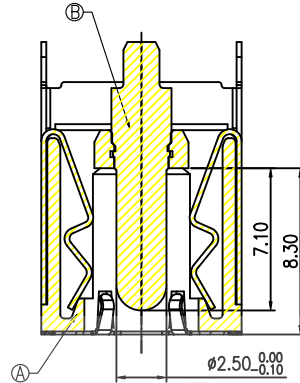
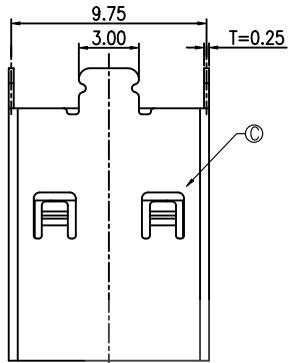


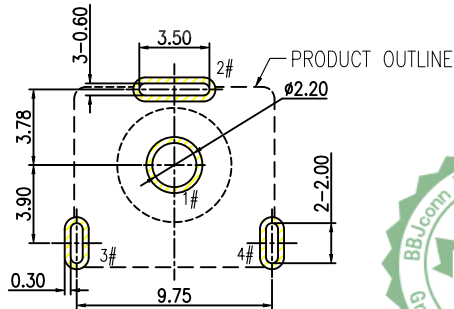
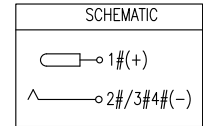
REV.	ECN NO.	CONTENT	DATE	ENGINEER
AO			2023 20/04	

SPECIFICATION:

1. RATING: DC 20V 20A
2. CONTACT RESISTANCE:
30mΩ MAX.(INITIAL)
50mΩ MAX.(FINAL)
3. INSULATION RESISTANCE: 100 MΩ MIN.
4. WITHSTAND VOLTAGE: 500 VAC
5. INSERTION FORCE: 3N~30N
6. EXTRACTION FORCE: 3N~30N
7. DURABILITY: 5,000 CYCLES



MATING PLUG



RECOMMENDED PCB LAYOUT
TOP VIEW TOLERANCE: ±0.05

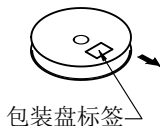
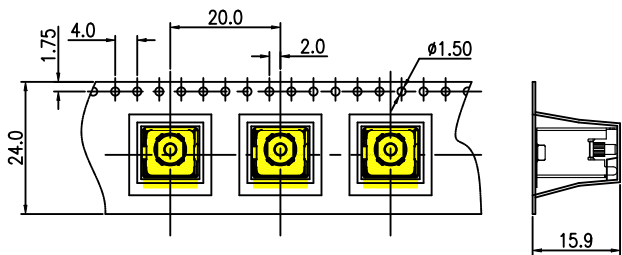


NO.	DESCRIPTION	MATERIAL	REMARKS	QTY
E	MYLAR			1
D	GROUND	SUS 304		1
C	SHELL	COPPER ALLOY	Ni 40u"MIN.	1
B	CENTER PIN	BRASS	GOLD FLASH/Ni 40u" MIN.	1
A	HOUSING	HIGH TEMP.THERMOPLASTIC	BLACK	1

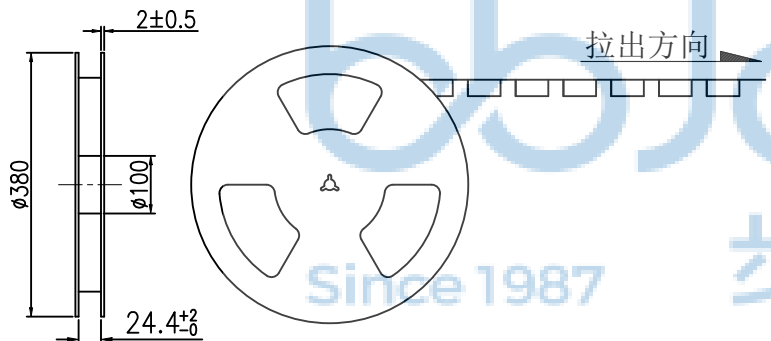
THIS DOCUMENT IS THE SOLE PROPERTY OF BBJconn Technology Co.,Ltd. Corporation AND SHOULD NOT BE USED IN WHOLE OR IN PART WITHOUT PRIOR WRITTEN PERMISSION.		深圳市步步精科技有限公司 工程部部长 APPROVED	
APPD.	JM_Zheng 23/05'02	NAME:	DC座 DC-2.5针 全铜 直立式180° 三脚插 (DC550250-1075-20000H)
CHKD.	LYX 23/05'02	PJ. NO.:	DC.02.72-12-G003
PDWG.NO:	0386-2	DR.	SGF 23/05'02
FINISH: SEE NOTES		MAT'L: SEE NOTES	
SCALE: N/A		REV.: A3	
UNIT: mm		PAGE: 1/1	

REV.	ECN NO	CONTENT	DATE	ENGINEER
AO			2023 20/04	

拉出方向



拉出方向



总共10层

PE袋:

外箱, 1PCS

透明胶带

INSIDE DIM.

INSIDE DIM.

INSIDE DIM.

备注:

- 材料规格:
 - 载带: T=0.50mm
 - 包装盘: 蓝色
 - 纸箱: L=385, W=385, H=300
- 包装数量: 250PCS/卷, 10卷(2500PCS)/箱
- 上盖带拔离力: 0.1N~0.7N(10~70gf);
拔离角度: 165°~180°;
拔离速度: 300mm/分钟.



THIS DOCUMENT IS THE SOLE PROPERTY OF BBJconn Technology Co., Ltd. CORPORATION AND SHOULD NOT BE USED IN WHOLE OR IN PART WITHOUT PRIOR WRITTEN PERMISSION.		深圳市步步精科技有限公司 .X: ±0.38 X': ±3" .XX: ±0.25 X'': ±2" .XXX: ±0.13 X''': ±1"	
APPD.	JM_Zheng 23/05'02	NAME: DC座 DC-2.5针 全铜 直立式180° 三脚插 (DC550250-1075-20000H)	
CHKD.	LYX 23/05'02	P.J. NO.: SIZE: A4 DRW NO.:	
PDWG.NO:	0386-2	FINISH: SEE NOTES MAT'L.: SEE NOTES	
DR.	SGF 23/05'02	SCALE: N/A REV.: A3 UNIT: mm PAGE: 1/1	