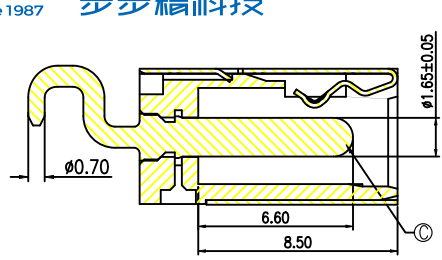
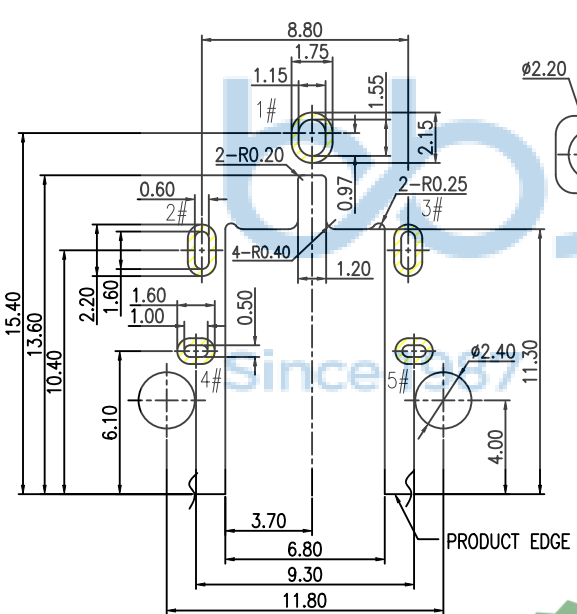
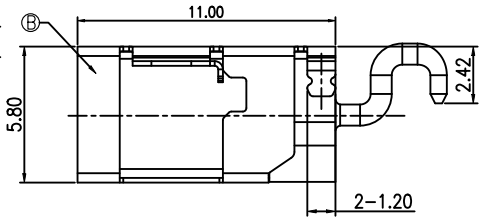
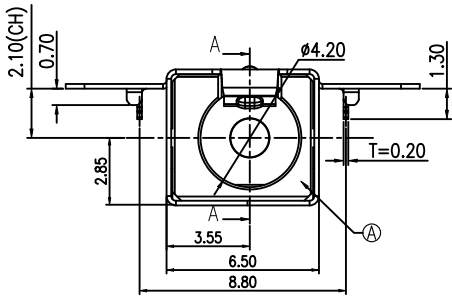


REV.	ECN NO	CONTENT	DATE	ENGINEER
AO			2023 20/04	

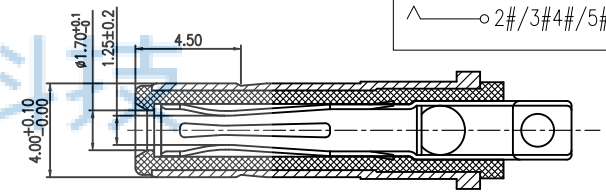
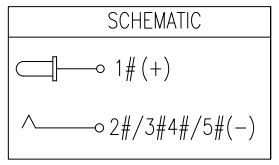
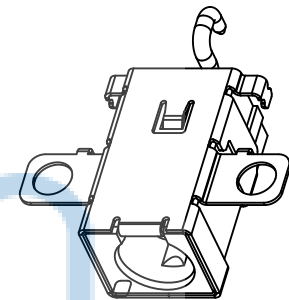
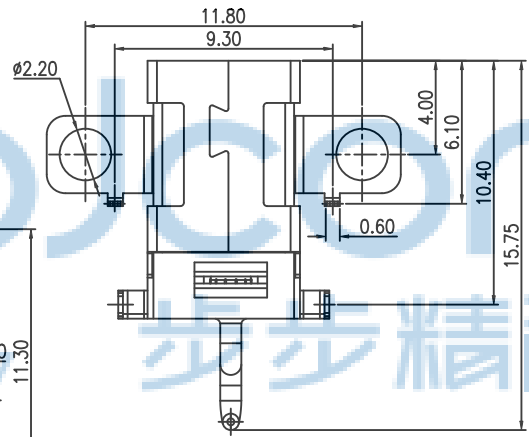
- SPECIFICATION:
1. RATING: DC 20V 5A
  2. CONTACT RESISTANCE: 30m $\Omega$  MAX.
  3. INSULATION RESISTANCE: 100 M $\Omega$  MIN.
  4. WITHSTAND VOLTAGE: 500 VAC
  5. INSERTION FORCE: 3N~30N
  6. EXTRACTION FORCE: 3N~30N
  7. DURABILITY: 5,000 CYCLES



SECTION A-A



RECOMMENDED PCB LAYOUT(t=1.00)  
TOP VIEW TOLERANCE:±0.05



MATING PLUG

C	CENTER PIN	BRASS	GOLD FLASH"/Ni 40u"	1
B	SHELL	COPPER ALLOY	Ni 40u"	1
A	HOUSING	HIGH TEMP.THERMOPLASTIC	BLACK	1
NO.	DESCRIPTION	MATERIAL	REMARKS	QTY



THIS DOCUMENT IS THE SOLE PROPERTY OF BBJconn Technology Co., Ltd. Corporation AND SHOULD NOT BE USED IN WHOLE OR IN PART WITHOUT PRIOR WRITTEN PERMISSION.

PDWG.NO: 0386-2

DR. SGF 23/05/02

**深圳市步步精科技有限公司**

NAME: DC座 DC-1.65针 全铜 沉板式 两脚插 两脚贴 (DC400170-1088-2000UH)

PJ. NO.: DC.03.52-12-G005

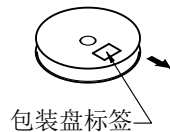
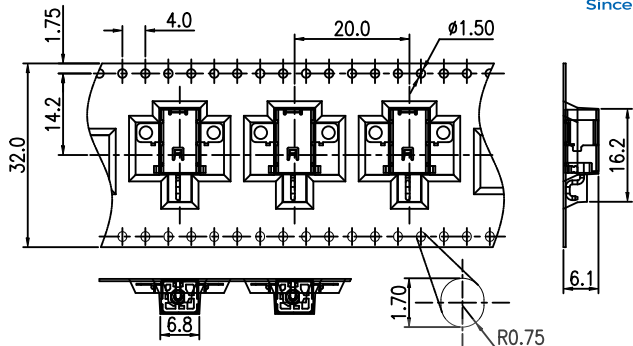
SIZE: A4 DRW NO.:

FINISH: SEE NOTES MAT'L.: SEE NOTES

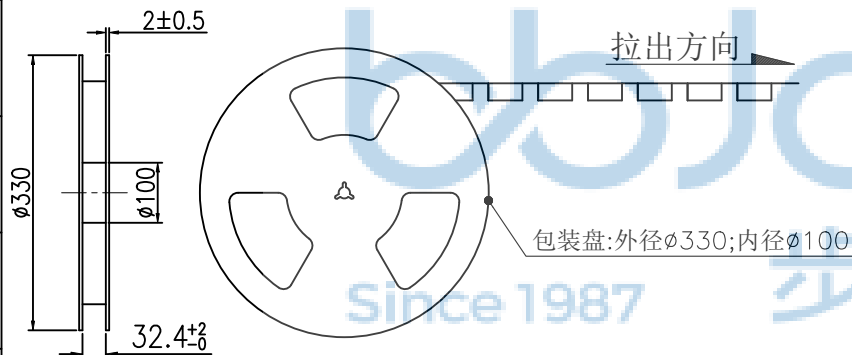
SCALE: N/A REV.: A3 UNIT: mm PAGE: 1/1

REV.	ECN NO	CONTENT	DATE	ENGINEER
AO			2023 20/04	

拉出方向



拉出方向

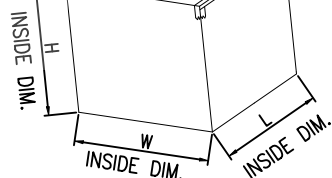


总共10层

PE袋:

外箱, 1PCS

透明胶带



备注:

- 材料规格:
  - 载带: T=0.50mm, 黑色
  - 包装盘: 蓝色
  - 纸箱: L=335, W=335, H=380
- 包装数量: 500PCS/卷, 10卷(5000PCS)/箱
- 上盖带拔离力: 0.1N~0.7N(10~70gf);  
拔离角度: 165°~180°;  
拔离速度: 300mm/分钟。



THIS DOCUMENT IS THE SOLE PROPERTY OF BBJconn Technology Co., Ltd. CORPORATION AND SHOULD NOT BE USED IN WHOLE OR IN PART WITHOUT PRIOR WRITTEN PERMISSION.		深圳市步步精科技有限公司 工程部	
APPD.	JM_Zheng 23/05/02	NAME:	DC座 DC-1.65针 全铜 沉板式 两脚插 两脚贴 (DC400170-1088-2000UH)
CHKD.	LYX 23/05/02	PJ. NO.:	DC.03.52-12-G005
PDWG.No:	0386-2	SIZE:	A4 DRW NO.:
DR.	SGF 23/05/02	FINISH:	SEE NOTES
		MAT'L.:	SEE NOTES
		SCALE:	N/A
		REV.:	A3
		UNIT:	mm
		PAGE:	1/1