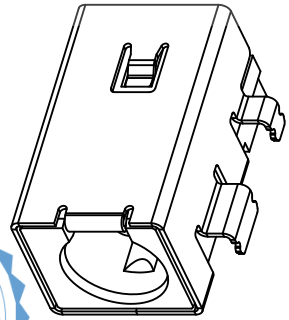
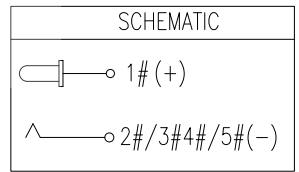
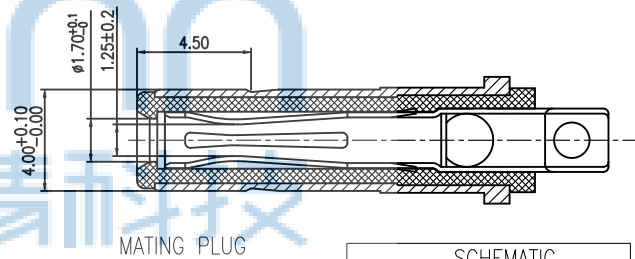
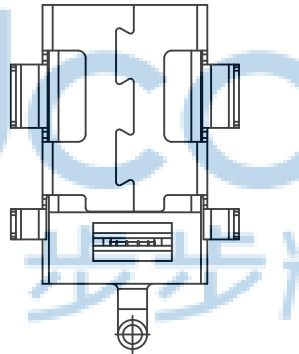
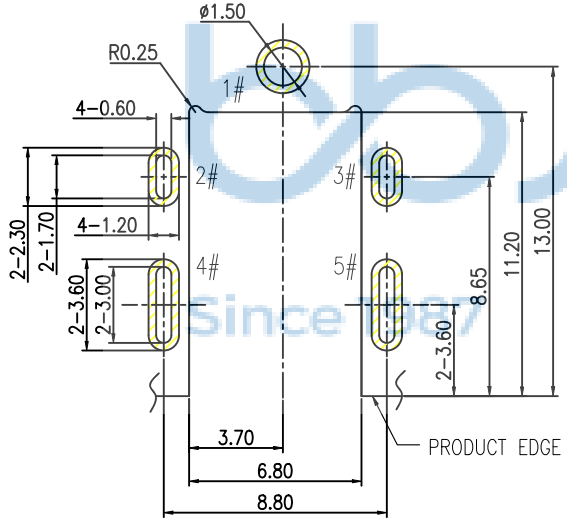
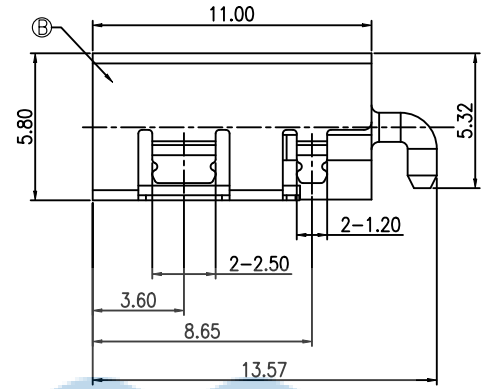
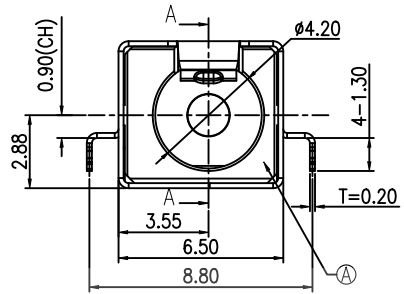
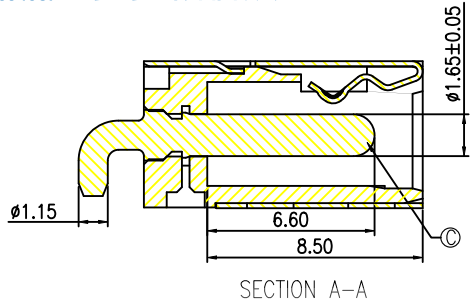


REV.	ECN NO	CONTENT	DATE	ENGINEER
A0			2023/04	

SPECIFICATION:
 1. RATING: DC 20V 7A
 2. CONTACT RESISTANCE: 30mΩ MAX.
 3. INSULATION RESISTANCE: 100 MΩ MIN.
 4. WITHSTAND VOLTAGE: 500 VAC
 5. INSERTION FORCE: 3N~30N
 6. EXTRACTION FORCE: 3N~30N
 7. DURABILITY: 5,000 CYCLES



C	CENTER PIN	BRASS	GOLD FLASH ¹ /Ni 40u ²	1
B	SHELL	COPPER ALLOY	Ni 40u ²	1
A	HOUSING	HIGH TEMP.THERMOPLASTIC	BLACK	1
NO.	DESCRIPTION	MATERIAL	REMARKS	QTY



THIS DOCUMENT IS THE SOLE PROPERTY OF BBJconn Technology Co., Ltd. Corporation AND SHOULD NOT BE USED IN WHOLE OR IN PART WITHOUT PRIOR WRITTEN PERMISSION.

PDWG.NO: 0386-2

DR. SGF 23/05/02

APPD. JM_Zheng 23/05/02

CHKD. LYX 23/05/02

深圳市步步精科技有限公司

NAME: DC座 DC-1.65针 全铜 沉板式 四脚插 (DC400170-1093-20000H)

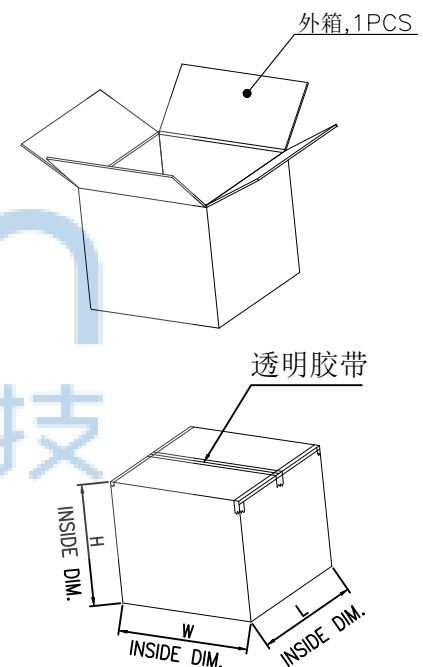
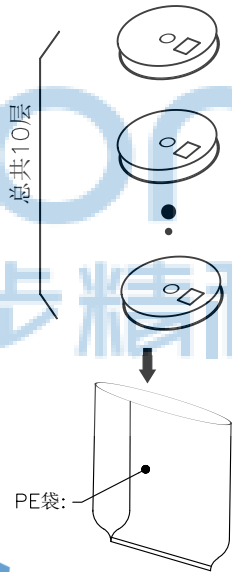
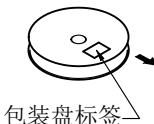
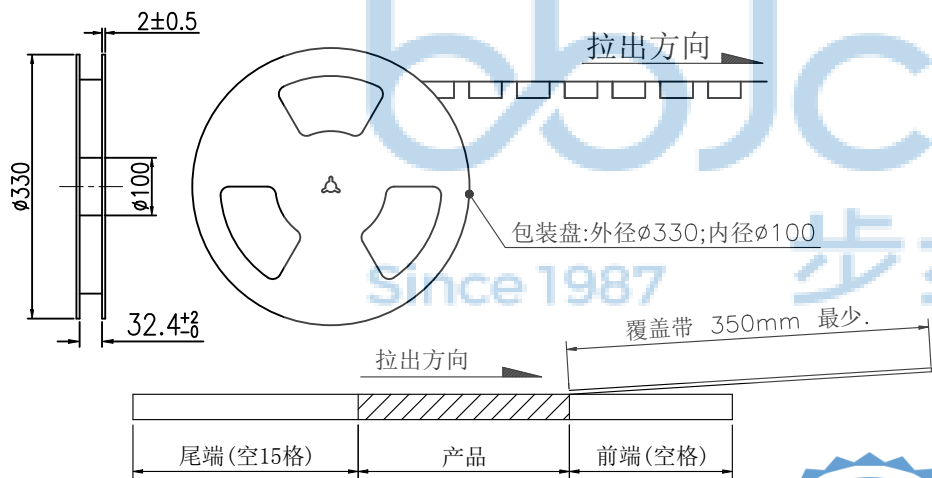
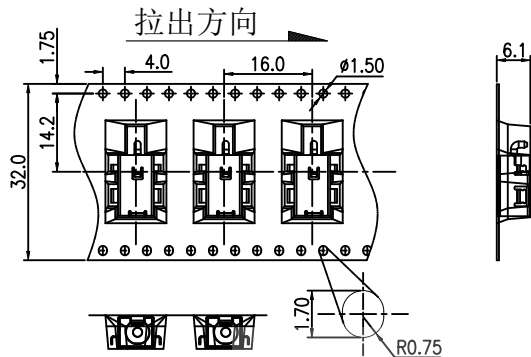
PJ. NO.: DC.03.52-12-G010

SIZE: A4 DRW NO.:

FINISH: SEE NOTES MAT'L.: SEE NOTES

SCALE: N/A REV.: A3 UNIT: mm PAGE: 1/1

REV.	ECN NO	CONTENT	DATE	ENGINEER
AO			2023 20/04	



备注:

- 材料规格:
 - 载带:T=0.50mm,黑色
 - 包装盘:蓝色
 - 纸箱: L=335,W=335,H=380
- 包装数量:
600PCS/卷, 10卷(6000PCS)/箱
- 上盖带拔离力: 0.1N~0.7N(10~70gf);
拔离角度: 165°~180°;
拔离速度: 300mm/分钟.



THIS DOCUMENT IS THE SOLE PROPERTY OF BBJconn Technology Co., Ltd. CORPORATION AND SHOULD NOT BE USED IN WHOLE OR IN PART WITHOUT PRIOR WRITTEN PERMISSION.		PDWG.NO: 0386-2		DR. SGF 23/05/02		深圳市步步精科技有限公司 NAME: DC座 DC-1.65针 全铜 沉板式 四脚插 (DC400170-1093-20000H) PJ. NO.: DC.03.52-12-G010 SIZE: A4 DRW NO.: FINISH: SEE NOTES MAT'L.: SEE NOTES SCALE: N/A REV.: A3 UNIT: mm PAGE: 1/1	
---	--	-----------------	--	------------------	--	---	--