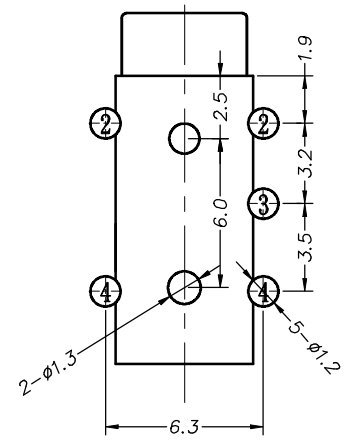
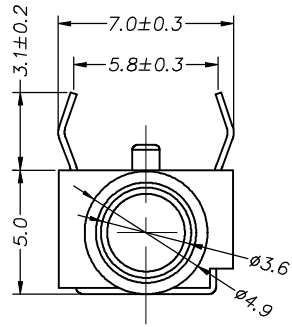
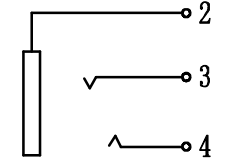


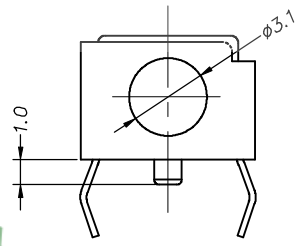
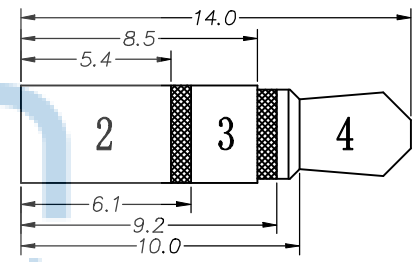
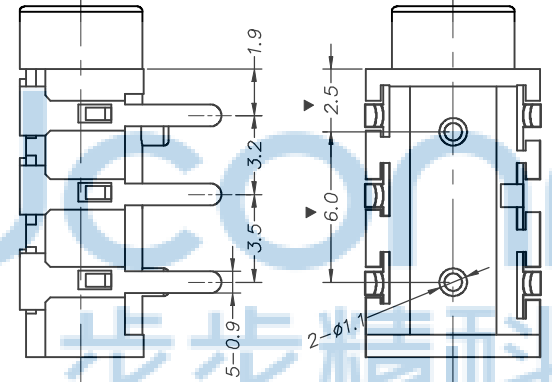
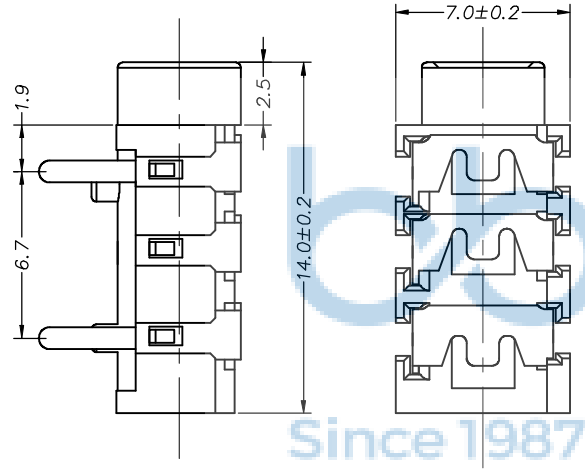
REV.	ECN NO.	CONTENT	DATE	ENGINEER
A0			2023 20/04	



P.C.B LAYOUT TOP VIEW



主要技术性能	
额定电负荷	DC 30V\0.5A
接触电阻	≤0.03Ω
绝缘电阻	≥100MΩ
耐压	AC500V(50Hz)/min
插拔力	3-20N
使用温度范围	-30-70℃
使用寿命	5000次



3	PJ-313D-03	大脚	1	磷铜	0.25T	镀镍
2	PJ-313D-02	小脚	2	磷铜	0.25T	镀镍
1	PJ-313D-01	底座	1	PPA(黑色)		
序号	产品编号	产品名称	数量	材料	规格	电镀

THIS DOCUMENT IS THE SOLE PROPERTY OF BBJconn Technology Co.,Ltd. Corporation AND SHOULD NOT BE USED IN WHOLE OR IN PART WITHOUT PRIOR WRITTEN PERMISSION.

PDWG.NO: 0017-1

APPD. JM\_Zheng 23/05'02

CHKD. LYX 23/05'02

DR. SGF 23/05'02

深圳市步步精科技有限公司

NAME: 3.5耳机座 PJ-313-内扣 五脚插 带柱

PJ. NO.: PJ.02.24-01-7001

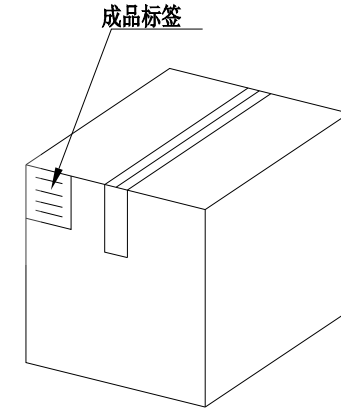
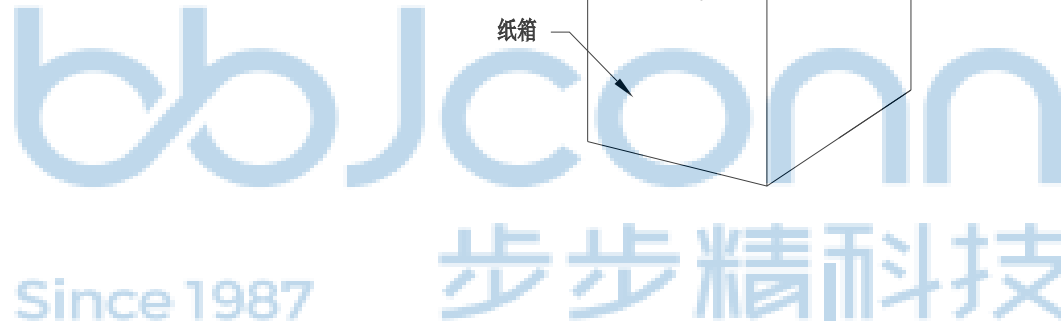
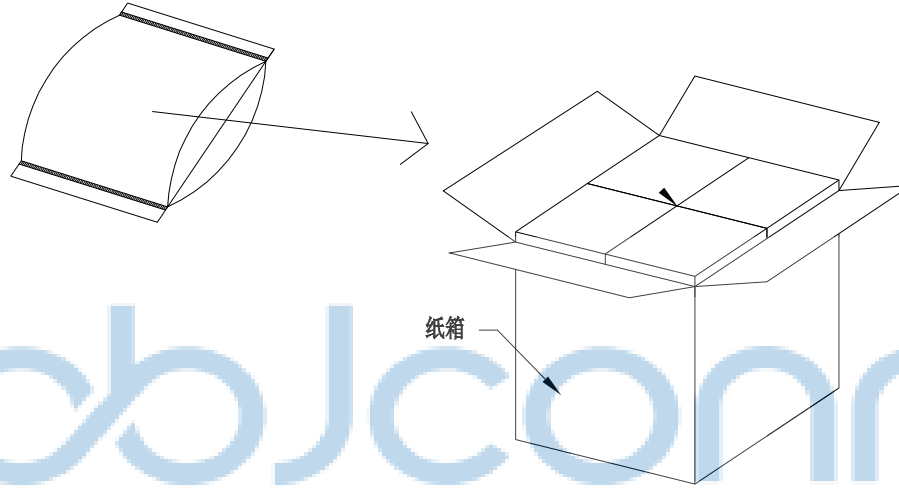
SIZE: A4 DRW NO.:

FINISH: SEE NOTES MAT'L.: SEE NOTES

SCALE: N/A REV.: A3 UNIT: mm PAGE: 1/1

REV.	ECN NO	CONTENT	DATE	ENGINEER
A0			2023 20/04	

PE袋规格:\*\*\*X\*\*\* (以实际出货为准)



1. 包装要求:

- 1.1 每PE袋包装1000 pcs;
- 1.2 每1袋放一小纸盒;
- 1.3 每20个小纸盒放一个纸箱, 共计20000PCS
- 1.4 纸箱外贴上标签



THIS DOCUMENT IS THE SOLE PROPERTY OF BBJconn Technology Co.,Ltd. Corporation AND SHOULD NOT BE USED IN WHOLE OR IN PART WITHOUT PRIOR WRITTEN PERMISSION.		深圳市步步精科技有限公司 .X: ±0.38 X': ±3' NAME: .XX: ±0.25 X'': ±2' 3.5耳机座 PJ-313-内扣 五脚插 带柱 .XXX: ±0.13 XX': ±1'	
APPD.	JM_Zheng 23/05'02	PJ. NO.: PJ.02.24-01-7001 SIZE: A4 DRW NO.:	FINISH: SEE NOTES MAT'L.: SEE NOTES SCALE: N/A REV.: A3 UNIT: mm PAGE: 1/1
CHKD.	LYX 23/05'02		
PDWG.NO: 0017-1	DR. SGF 23/05'02		