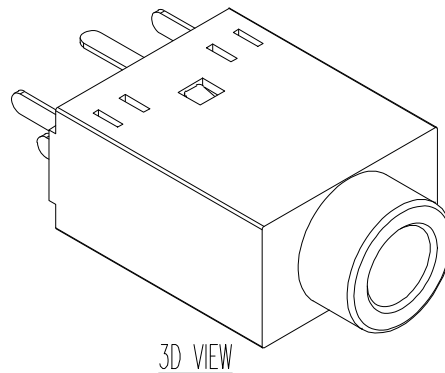
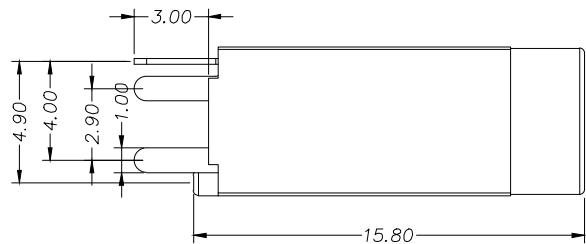
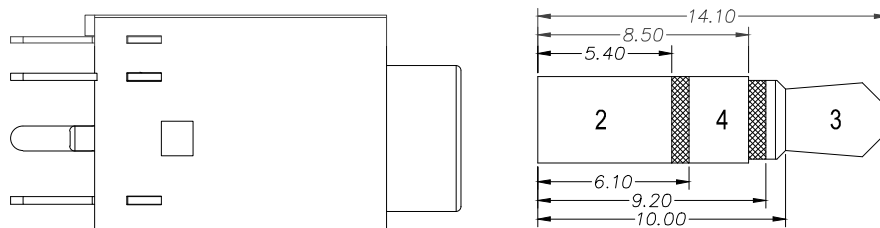
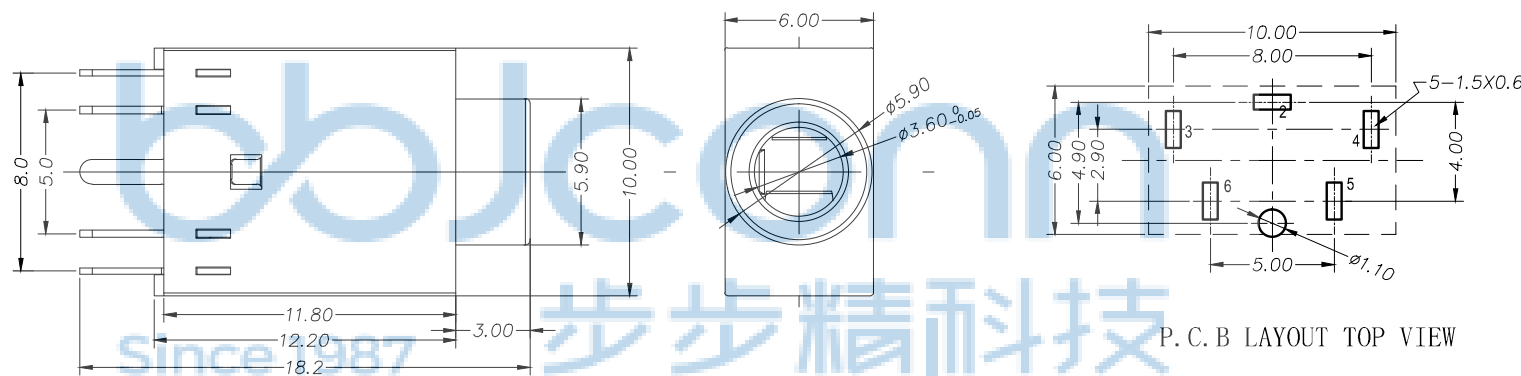


REV.	ECN NO.	CONTENT	DATE	ENGINEER
AO			2023 20/04	



NOTES:

- CONTACT CURRENT RATING: 0.5A.
- CONTACT RESISTANCE: 50 mΩ MAX.;
- INSULATION RESISTANCE: 100Ω MIN.;
- DIELECTRIC WITHSTANDING: 500V AC MIN.;
- DURABILITY: 5,000 CYCLES MIN.;
- CONNECTOR MATING FORCES: 20N (2.00Kgf) MAX.;
- CONNECTOR UNMATING FORCES: 2.94N(0.30Kgf) MIN.;



Material number Description:



PART NO.	PART NO.	PART NO.	PART NO.
PJ35B389-F05A1BA-A	PJ35B389-F05A1BA-B	PJ35B389-F05A1BA-C	PJ35B389-F05A1BA-D
SCHMATIC	SCHMATIC	SCHMATIC	SCHMATIC

ITEM	PART NAME	Q'TY	MATERIAL	DESCRIPTION	REMARK
⑥	CONTACT E	1	BRASS 0.30T	Ag PLATED	
⑤	CONTACT D	1	BRASS 0.30T	Ag PLATED	
④	CONTACT C	1	PHOSPHOR BRONZE 0.25T	Ag PLATED	
③	CONTACT B	1	PHOSPHOR BRONZE 0.25T	Ag PLATED	
②	CONTACT A	1	PHOSPHOR BRONZE 0.30T	Ag PLATED	
①	HOUSING	1	PPA		Black
ITEM	PART NAME	Q'TY	MATERIAL	DESCRIPTION	REMARK



THIS DOCUMENT IS THE
SOLE PROPERTY OF
BBJconn Technology Co.,Ltd.
Corporation AND SHOULD
NOT BE USED IN WHOLE
OR IN PART WITHOUT
PRIOR WRITTEN PERMISSION.
PDWG.NO: 0076-1

深圳市步步精科技有限公司

NAME: 3.5耳机座 PJ35B389-F05A1BA-A 黑色

PJ. NO.: PJ.02.24-01-3001

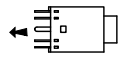
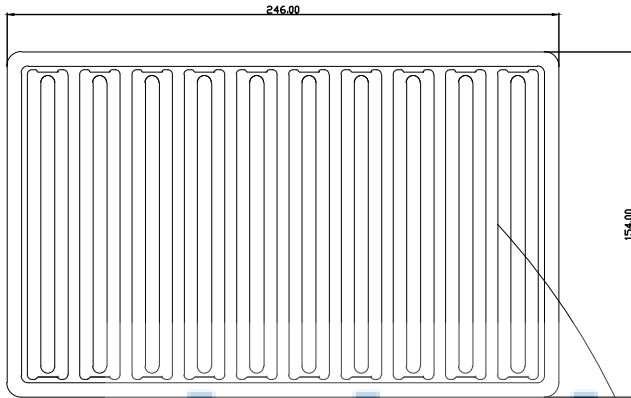
SIZE: A4 | DRW NO.:

FINISH: SEE NOTES | MAT'L.: SEE NOTES

SCALE: N/A | REV.: A0 | UNIT: mm | PAGE: 1/1

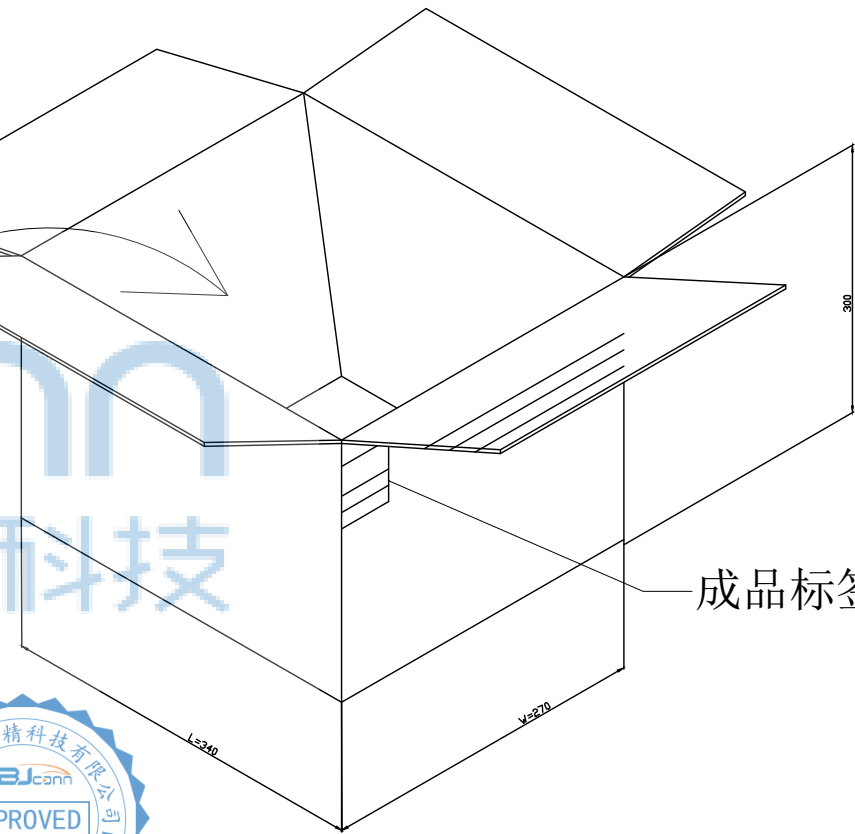
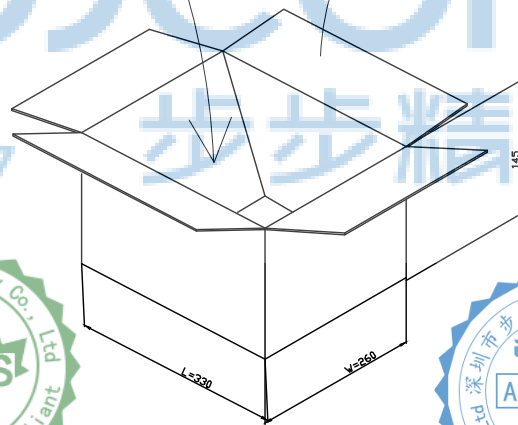
APPD.	JM_Zheng	23/05'02
CHKD.	LYX	23/05'02
DR.	SGF	23/05'02

REV.	ECN NO	CONTENT	DATE	ENGINEER
A0			2023 20/04	



PJ35A389-F05A1BA-A

大纸箱 (34x27x30.5)
小纸箱 (32x14x26)
吸塑盒 (246x154x13)
吸塑盒1盒 (22只X10)
1小箱22盒 (4840只)
1大纸箱放2小箱 (9680只)



备注:

1. 每箱内必须放干燥剂;
2. 每箱必须用PE带密封包装;
3. 参考《高温材料管理规定》进行作业;
4. 条码+二维码标签和交货标签按客户要求制作;

THIS DOCUMENT IS THE SOLE PROPERTY OF BBJconn Technology Co.,Ltd. Corporation AND SHOULD NOT BE USED IN WHOLE OR IN PART WITHOUT PRIOR WRITTEN PERMISSION.		深圳市步步精科技有限公司	
.X: ±0.38 .XX: ±0.25 .XXX: ±0.13		X': ±3" X'': ±2" X'': ±1"	
APPD.	JM_Zheng	23/05'02	NAME: 3.5耳机座 PJ35B389-F05A1BA-A 黑色
CHKD.	LYX	23/05'02	PJ. NO.: PJ.02.24-01-3001
PDWG.NO:	0076-1	DR.	SGF 23/05'02
FINISH: SEE NOTES		MAT'L.: SEE NOTES	
SCALE: N/A		REV.: A0	UNIT: mm
PAGE: 1/1			