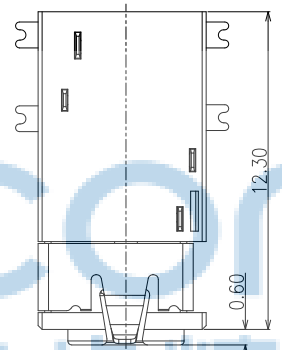
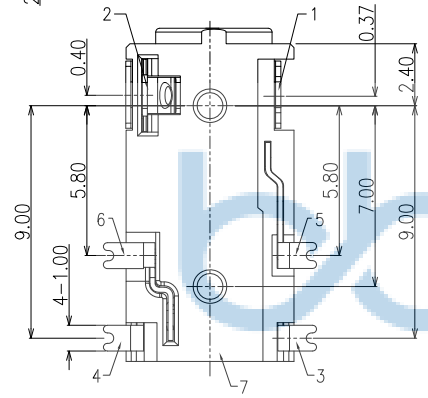
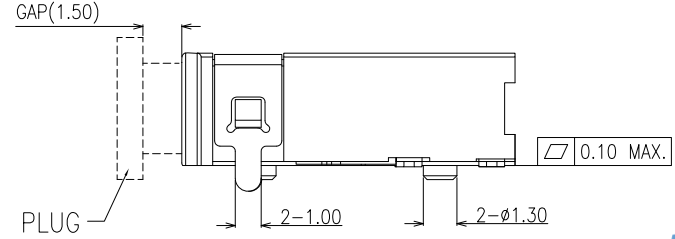
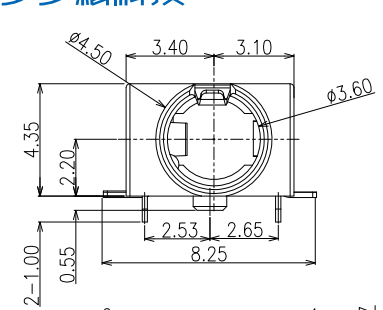
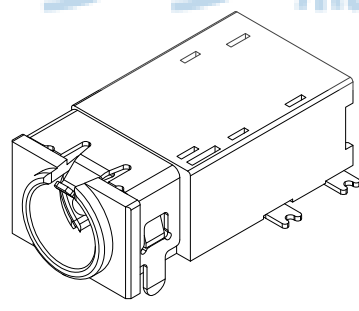
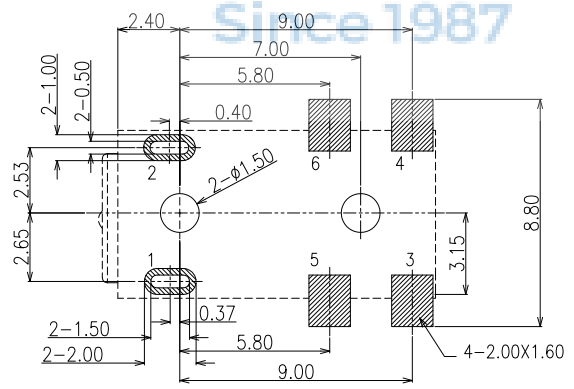
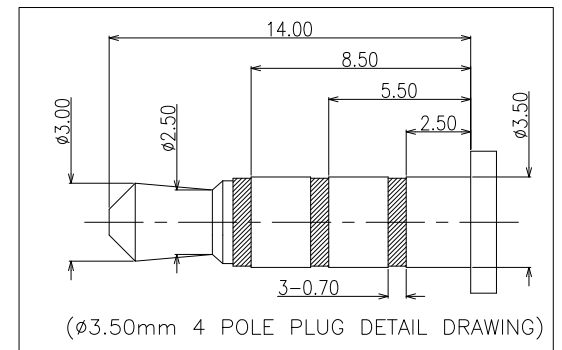


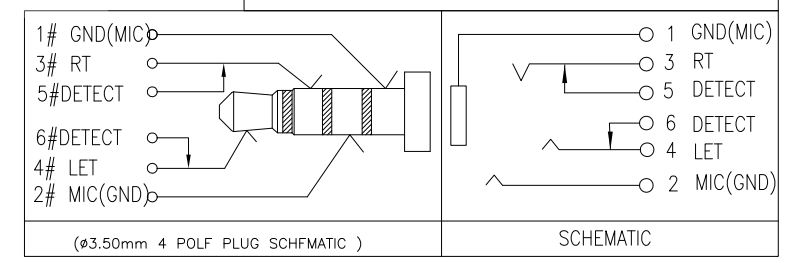
REV.	ECN NO.	CONTENT	DATE	ENGINEER
AO			2023 20/04	



- CONTACT CURRENT RATING: 1A.
- CONTACT RESISTANCE: 50 mΩ MAX.;
- INSULATION RESISTANCE: 100MΩ MIN.;
- DIELECTRIC WITHSTANDING: 500V AC MIN.;
- DURABILITY: 5,000 CYCLES MIN.;
- CONNECTOR MATING FORCES: 30N MAX.;
- CONNECTOR UNMATING FORCES: 3N MIN.;



3D VIEW



ITEM	PART NAME	Q'TY	MATERIAL
7	HOUSING	1	HIGHT TEMPERATURE PLASTIC COLOR BLACK
6	CONTACT 6#	1	COPPER ALLOY; NICKEL UNDER PLATING OVERALL;GOLD PLATING ON OVERALL; T=0.20mm
5	CONTACT 5#	1	COPPER ALLOY; NICKEL UNDER PLATING OVERALL;GOLD PLATING ON OVERALL; T=0.20mm
4	CONTACT 4#	1	COPPER ALLOY; NICKEL UNDER PLATING OVERALL;GOLD PLATING ON OVERALL; T=0.25mm
3	CONTACT 3#	1	COPPER ALLOY; NICKEL UNDER PLATING OVERALL;GOLD PLATING ON OVERALL; T=0.20mm
2	CONTACT 2#	1	COPPER ALLOY; NICKEL UNDER PLATING OVERALL;GOLD PLATING ON OVERALL; T=0.20mm
1	CONTACT 1#	1	COPPER ALLOY; NICKEL UNDER PLATING OVERALL;GOLD PLATING ON OVERALL; T=0.20mm

THIS DOCUMENT IS THE SOLE PROPERTY OF **BBJconn Technology Co.,Ltd.** Corporation AND SHOULD NOT BE USED IN WHOLE OR IN PART WITHOUT PRIOR WRITTEN PERMISSION.

PDWG.NO: 0076-1

DR. SGF 23/05/02

APPD. JM\_Zheng 23/05/02

CHKD. LYX 23/05/02

NAME: 3.5耳机座 PJ35A78-F06G1BR-D 前两脚插后四脚贴 带柱 3节

PJ. NO.: PJ.04.22-01-3002

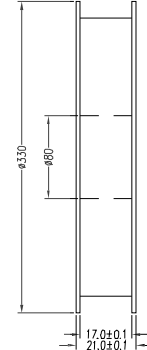
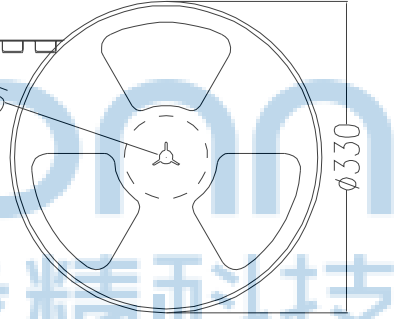
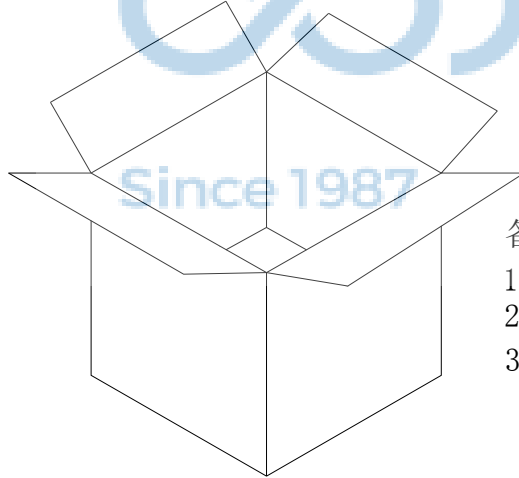
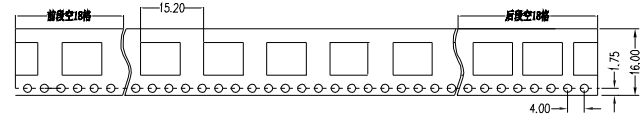
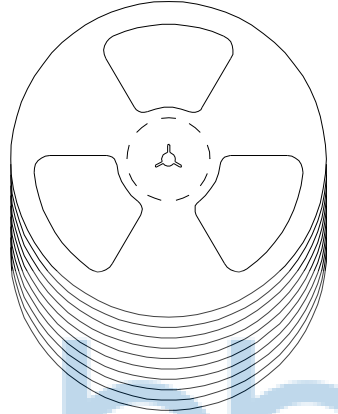
SIZE: A4 DRW NO.:

FINISH: SEE NOTES MAT'L.: SEE NOTES

SCALE: N/A REV.: A0 UNIT: mm PAGE: 1/1

**深圳市步步精科技有限公司**

REV.	ECN NO	CONTENT	DATE	ENGINEER
A0			2023 20/04	



1000 /PCS卷

备注:

1. 包装数量: 1000 /PCS/卷, 10卷/箱或15卷/箱。
2. 包装袋长度: 每卷前后各空10-20个空格, 中间包装。
3. 材质:  
载体: 聚丙烯 (PS), 阻抗 $10^{6-9} \Omega$   
上带: 聚乙烯 (PET), 阻抗 $10^{6-11} \Omega$   
卷盘: 聚苯乙烯。

纸箱规格: 345\*345\*23MM

纸箱规格: 345\*345\*35MM



THIS DOCUMENT IS THE SOLE PROPERTY OF BBJconn Technology Co.,Ltd. Corporation AND SHOULD NOT BE USED IN WHOLE OR IN PART WITHOUT PRIOR WRITTEN PERMISSION.		深圳市步步精科技有限公司 .X: ±0.38 .X': ±3" .XX: ±0.25 .X'': ±2" .XXX: ±0.13 .XX': ±1"		NAME: 3.5耳机座 PJ35A78-F06G1BR-D 前两脚插后四脚贴 带柱 3节 PJ. NO.: PJ.04.22-01-3002 SIZE: A4   DRW NO.: FINISH: SEE NOTES   MAT'L.: SEE NOTES SCALE: N/A   REV.: A0   UNIT: mm   PAGE: 1/1	
APPD.	JM_Zheng 23/05'02			DR. SGF 23/05'02	
CHKD.	LYX 23/05'02				
PDWG.NO:	0076-1				