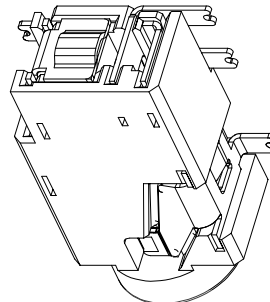
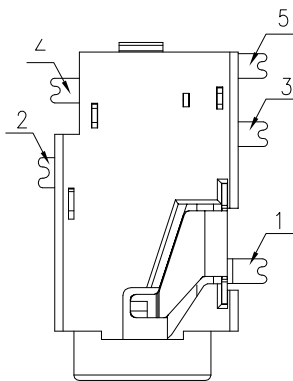
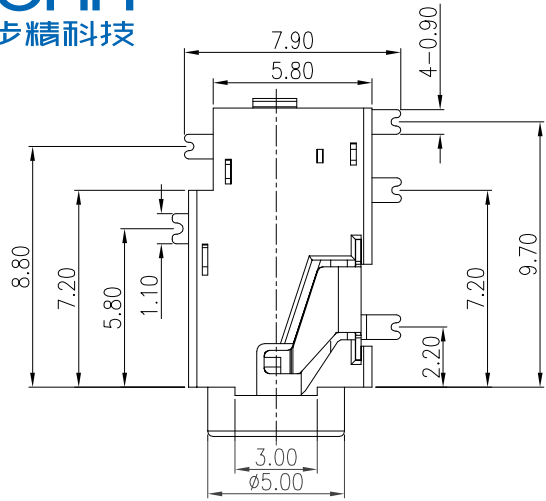
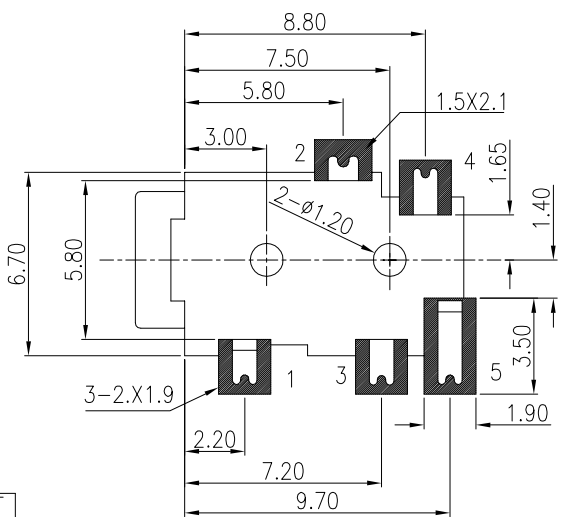
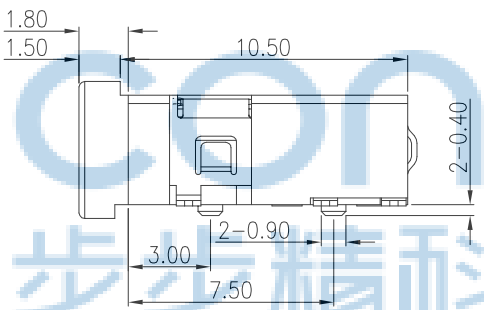
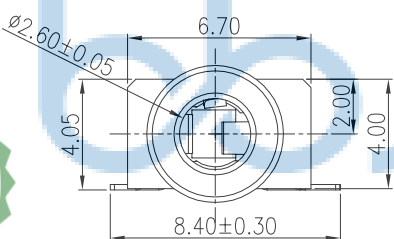


REV.	ECN NO.	CONTENT	DATE	ENGINEER
AO			2023 20/04	

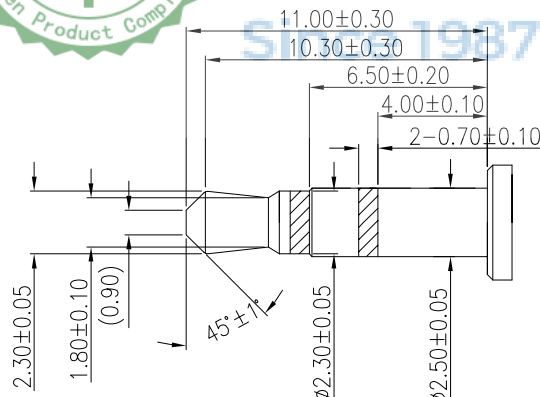


3D VIEW

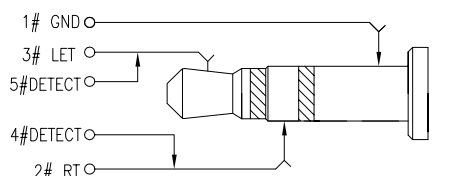
- CONTACT CURRENT RATING: 1A.
- CONTACT RESISTANCE: 100 mΩ MAX.;
- INSULATION RESISTANCE: 100MΩ MIN.;
- DIELECTRIC WITHSTANDING: 500V AC MIN.;
- DURABILITY: 5,000 CYCLES MIN.;
- CONNECTOR MATING FORCES: 29.4N (3.00Kgf) MAX.;
- CONNECTOR UNMATING FORCES: 2.94N(0.30Kgf) MIN.;



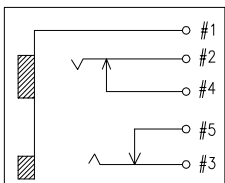
P.C.B LAYOUT  
TOP VIEW



2.5mm 3 POLE PLUG DETAIL DRAWING



(φ2.50mm 3 POLE PLUG DETAIL DRAWING)



SCHEMATIC

5	DETECT
4	DETECT
3	LET
2	RT
1	GND

ITEM	PART NAME	Q'TY	MATERIAL	DESCRIPTION	REMARK
	HOUSING	1	HIGHT TEMPERATURE PLASTIC		BLACK
⑤	CONTACT E	1	PHOSPHOR BRONZE 0.20	Au PLATED	
④	CONTACT D	1	PHOSPHOR BRONZE 0.20T	Au PLATED	
③	CONTACT C	1	PHOSPHOR BRONZE 0.20T	Au PLATED	
②	CONTACT B	1	PHOSPHOR BRONZE 0.20T	Au PLATED	
①	CONTACT A	1	PHOSPHOR BRONZE 0.20T	Au PLATED	



THIS DOCUMENT IS THE SOLE PROPERTY OF BBJconn Technology Co.,Ltd. CORPORATION AND SHOULD NOT BE USED IN WHOLE OR IN PART WITHOUT PRIOR WRITTEN PERMISSION.

PDWG.NO: 0076-1

DR. SGF 23/05/02

APPD. JM\_Zheng 23/05/02

CHKD. LYX 23/05/02

深圳市步步精科技有限公司

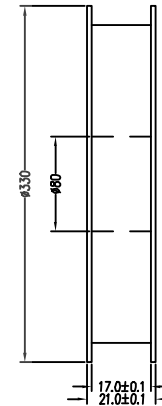
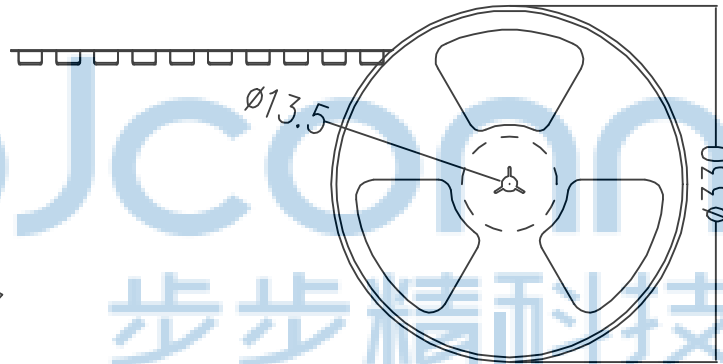
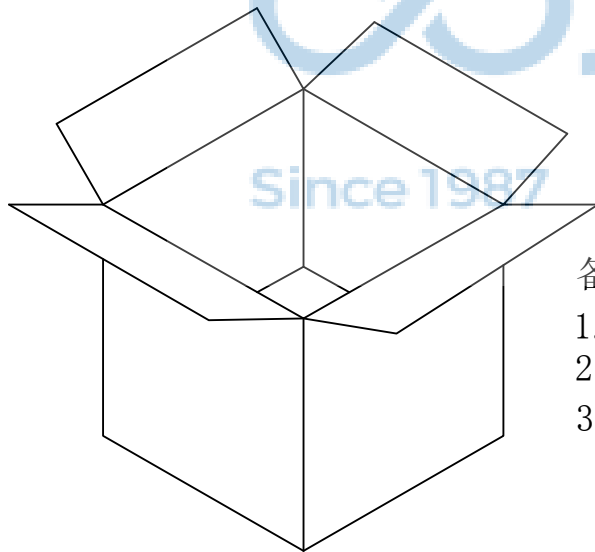
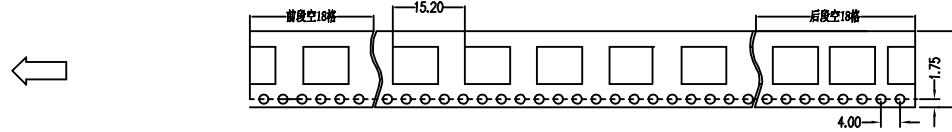
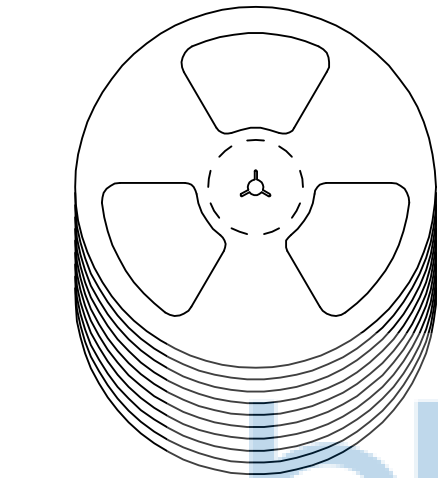
NAME: 2.5耳机座 有头 五脚贴 带柱 三节 (PJ25A002-F05G1BR-A)

PJ. NO.: PJ.01.12-01-3004

SIZE: A4 | DRW NO.:

FINISH: SEE NOTES | MAT'L.: SEE NOTES

SCALE: N/A | REV.: A0 | UNIT: mm | PAGE: 1/1



备注:

1. 包装数量: 1000/PCS/卷, 10卷/箱或15卷/箱。
2. 包装袋长度: 每卷前后各空10-20个空格, 中间包装。
3. 材质:  
载体: 聚丙烯 (PS), 阻抗 $10^{6-9} \Omega$   
上带: 聚乙烯 (PET), 阻抗 $10^{6-11} \Omega$   
卷盘: 聚苯乙烯。

纸箱规格: 345\*345\*23MM

纸箱规格: 345\*345\*35MM

THIS DOCUMENT IS THE SOLE PROPERTY OF BBJconn Technology Co.,Ltd. Corporation AND SHOULD NOT BE USED IN WHOLE OR IN PART WITHOUT PRIOR WRITTEN PERMISSION.		深圳市步步精科技有限公司 .X: ±0.38 .X': ±3" .XX: ±0.25 .X": ±2" .XXX: ±0.13 .XX': ±1"		NAME: 2.5耳机座 有头 五脚贴 带柱 三节 (PJ25A002-F05G1BR-A)	
APPD.	JM_Zheng	23/05'02	PJ. NO.: PJ.01.12-01-3004		
CHKD.	LYX	23/05'02	SIZE: A4 DRW NO.:		
PDWG.NO:	0076-1	DR.	SGF	23/05'02	FINISH: SEE NOTES MAT'L.: SEE NOTES SCALE: N/A REV.: A0 UNIT: mm PAGE: 1/1