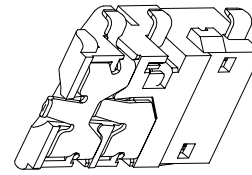
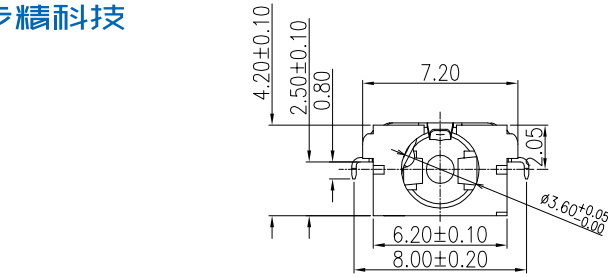
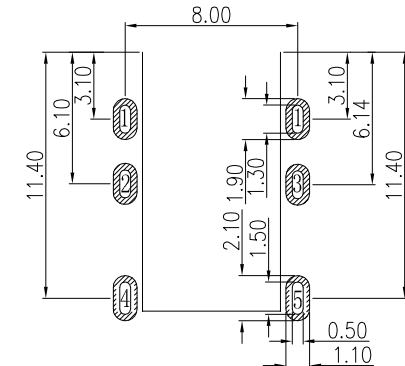
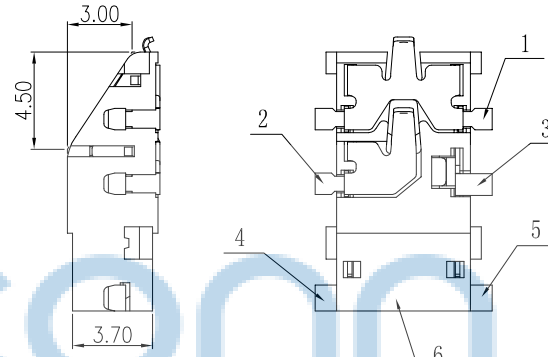
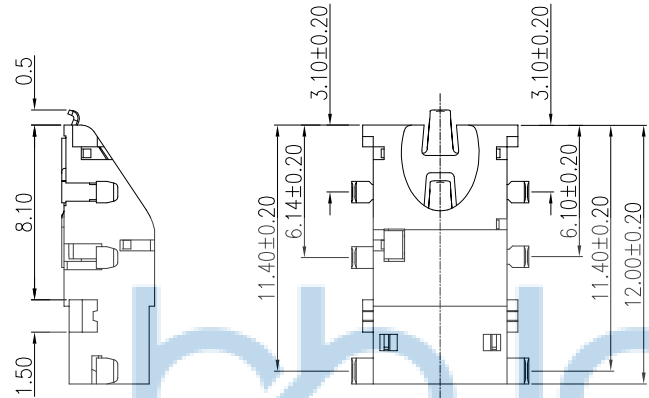


REV.	ECN NO.	CONTENT	DATE	ENGINEER
A0			2023 20/04	

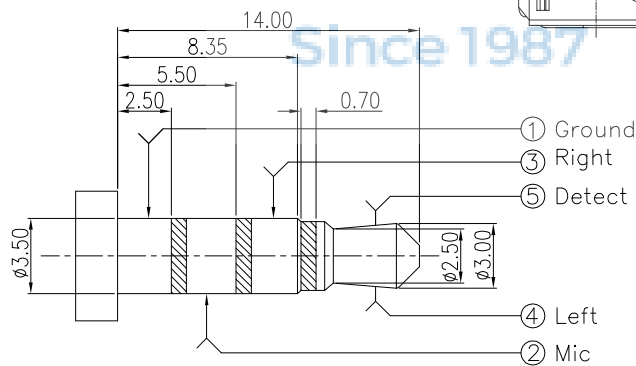
- CONTACT CURRENT RATING: 0.5A.
- CONTACT RESISTANCE: 0.03Ω MAX.;
- INSULATION RESISTANCE: 100MΩ MIN.;
- DIELECTRIC WITHSTANDING: 500V AC MIN.;
- DURABILITY: 5,000 CYCLES MIN.;
- CONNECTOR MATING FORCES: 30N MAX.;
- CONNECTOR UNMATING FORCES: 3N MIN.;



3D VIEW

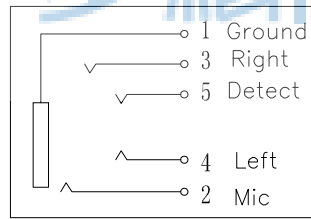


P.C.B LAYOUT
TOP VIEW



(Ø3.50mm 4 POLE PLUG DETAIL DRAWING)

- ① Ground
- ③ Right
- ⑤ Detect
- ④ Left
- ② Mic



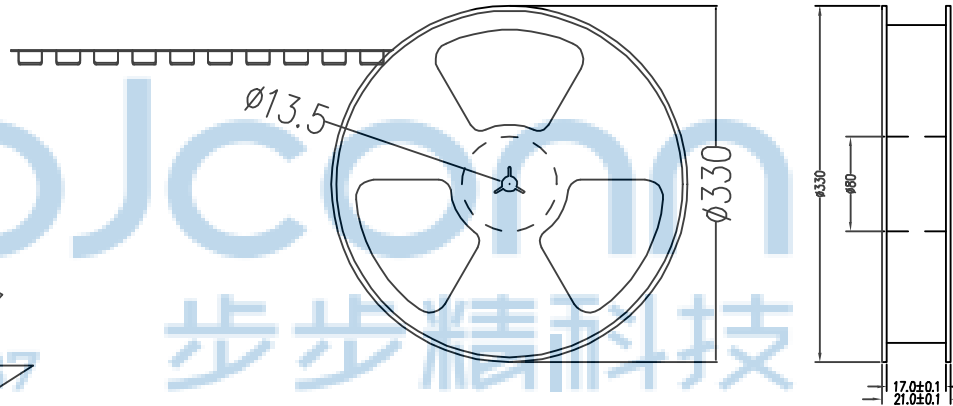
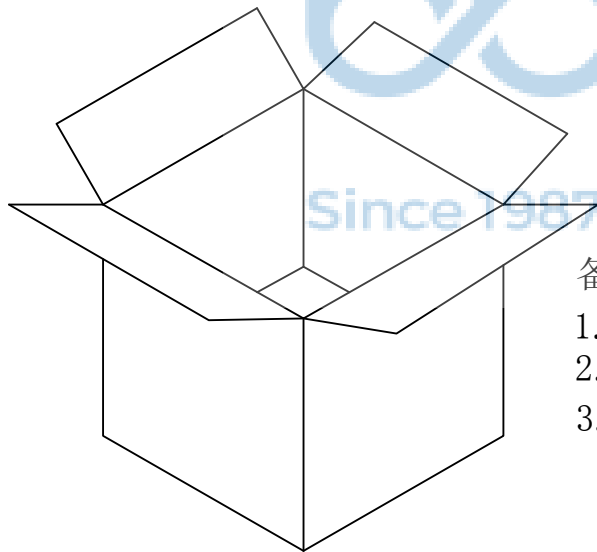
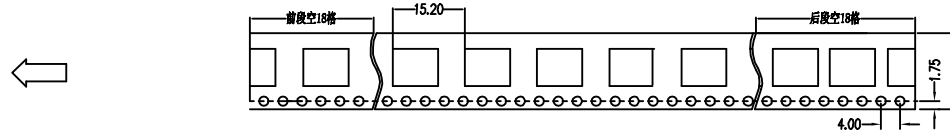
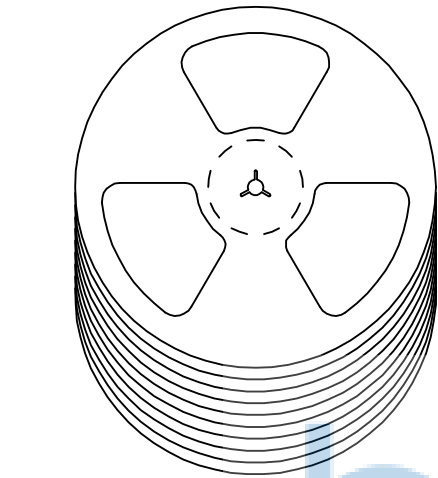
SCHEMATIC



ITEM	NAME	Q'TY	DESCRIPTION	NOTE
6	HOUSING	1	HIGHT TEMPERATURE PLASTIC COLOR BLACK	
5	TERMINAL 5#	1		
4	TERMINAL 4#	1		
3	TERMINAL 3#	1	PHOSPHOR BRONZE; THE BOTTOM OF THE NICKEL; THE WHOLE GOLD PLATING.	
2	TERMINAL 2#	1		
1	TERMINAL 1#	1		

THIS DOCUMENT IS THE SOLE PROPERTY OF BBJconn Technology Co.,Ltd. Corporation AND SHOULD NOT BE USED IN WHOLE OR IN PART WITHOUT PRIOR WRITTEN PERMISSION.		深圳市步步精科技有限公司 NAME: 3.5耳机座 斜口 沉板2.5 六脚插 四节 (PJ35B241-F06G1BR-A) APPD. JM_Zheng 23/05'02 CHKD. LYX 23/05'02 DR. SGF 23/05'02 PDWG.NO: 0076-1	
.X: ±0.38 .XX: ±0.25 .XXX: ±0.13		X*: ±3* .X*: ±2* .XX*: ±1*	
PJ. NO.: PJ.03.22-01-3018 SIZE: A4 FINISH: SEE NOTES SCALE: N/A		MAT'L.: SEE NOTES REV.: A0 UNIT: mm PAGE: 1/1	

REV.	ECN NO.	CONTENT	DATE	ENGINEER
A0			2023 20/04	



备注:

1. 包装数量: 1000/PCS/卷, 10卷/箱或15卷/箱。
2. 包装袋长度: 每卷前后各空10-20个空格, 中间包装。
3. 材质:
载体: 聚丙烯 (PS), 阻抗 $10^{6-9} \Omega$
上带: 聚乙烯 (PET), 阻抗 $10^{6-11} \Omega$
卷盘: 聚苯乙烯。

纸箱规格: 345*345*23MM

纸箱规格: 345*345*35MM

THIS DOCUMENT IS THE SOLE PROPERTY OF BBJconn Technology Co.,Ltd. Corporation AND SHOULD NOT BE USED IN WHOLE OR IN PART WITHOUT PRIOR WRITTEN PERMISSION.		深圳市步步精科技有限公司 .X: ±0.38 .X': ±3" .XX: ±0.25 .X'': ±2" .XXX: ±0.13 .X''': ±1"		NAME: 3.5耳机座 斜口 沉板2.5 六脚插 四节 (PJ35B241-F06G1BR-A)	
APPD.	JM_Zheng	23/05'02	PJ. NO.: PJ.03.22-01-3018		
CHKD.	LYX	23/05'02	SIZE: A4 DRW NO.:		
PDWG.NO:	0076-1	DR.	SGF	23/05'02	FINISH: SEE NOTES MAT'L.: SEE NOTES SCALE: N/A REV.: A0 UNIT: mm PAGE: 1/1