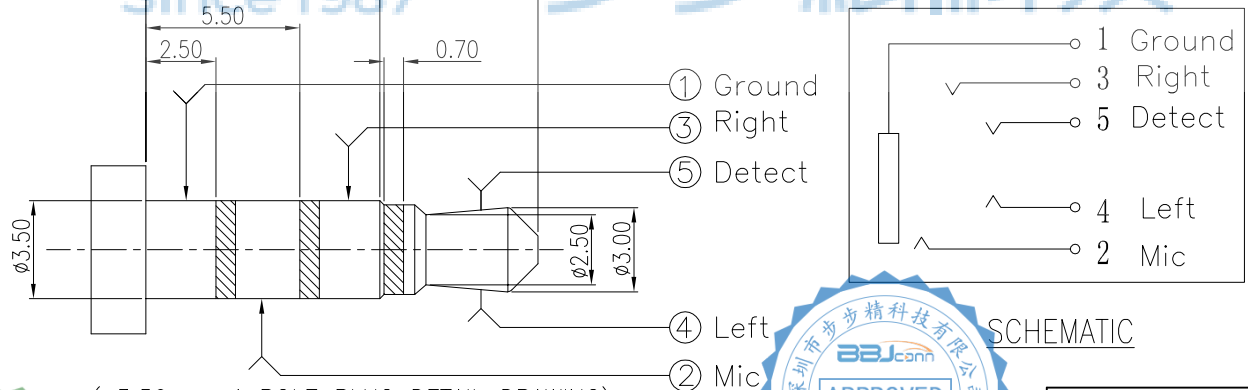
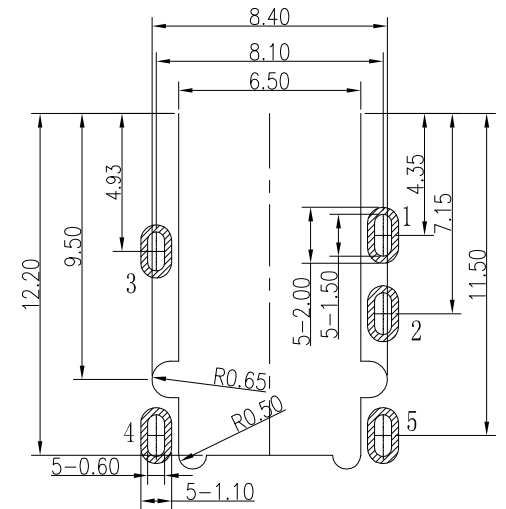
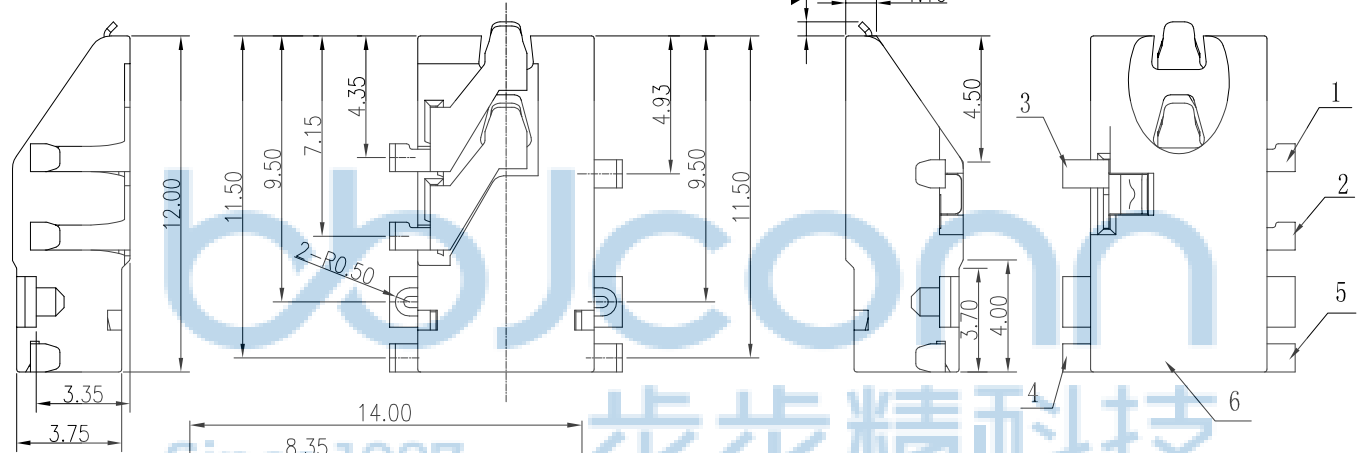
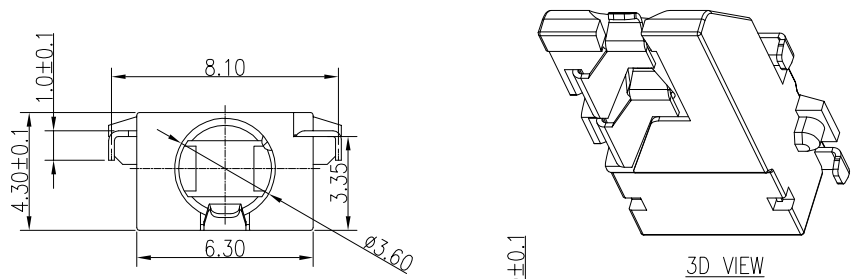


REV.	ECN NO.	CONTENT	DATE	ENGINEER
AO			2023 20/04	

- CONTACT CURRENT RATING: 0.5A.
- CONTACT RESISTANCE: 0.03Ω MAX.;
- INSULATION RESISTANCE: 100MΩ MIN.;
- DIELECTRIC WITHSTANDING: 500V AC MIN.;
- DURABILITY: 5,000 CYCLES MIN.;
- CONNECTOR MATING FORCES: 30N MAX.;
- CONNECTOR UNMATING FORCES: 3N MIN.;



(ø3.50mm 4 POLE PLUG DETAIL DRAWING)



ITEM	NAME	QTY	DESCRIPTION	NOTE
6	HOUSING	1	HIGHT TEMPERATURE PLASTIC COLOR BLACK	
5	TERMINAL 5#	1	PHOSPHOR BRONZE; THE BOTTOM OF THE NICKEL; THE WHOLE GOLD PLATING.	
4	TERMINAL 4#	1	BERYLLIUM BRONZE; THE BOTTOM OF THE NICKEL; THE WHOLE GOLD PLATING.	
3	TERMINAL 3#	1	PHOSPHOR BRONZE; THE BOTTOM OF THE NICKEL; THE WHOLE GOLD PLATING.	
2	TERMINAL 2#	1	PHOSPHOR BRONZE; THE BOTTOM OF THE NICKEL; THE WHOLE GOLD PLATING.	
1	TERMINAL 1#	1	PHOSPHOR BRONZE; THE BOTTOM OF THE NICKEL; THE WHOLE GOLD PLATING.	

THIS DOCUMENT IS THE SOLE PROPERTY OF BBJconn Technology Co.,Ltd. Corporation AND SHOULD NOT BE USED IN WHOLE OR IN PART WITHOUT PRIOR WRITTEN PERMISSION.

PDWG.NO: 0076-1

DR. SGF 23/05'02

APPD. JM\_Zheng 23/05'02

CHKD. LYX 23/05'02

深圳市步步精科技有限公司

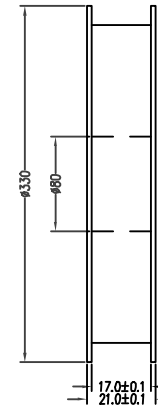
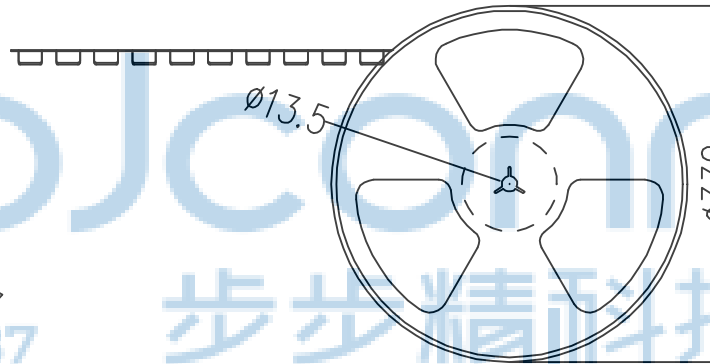
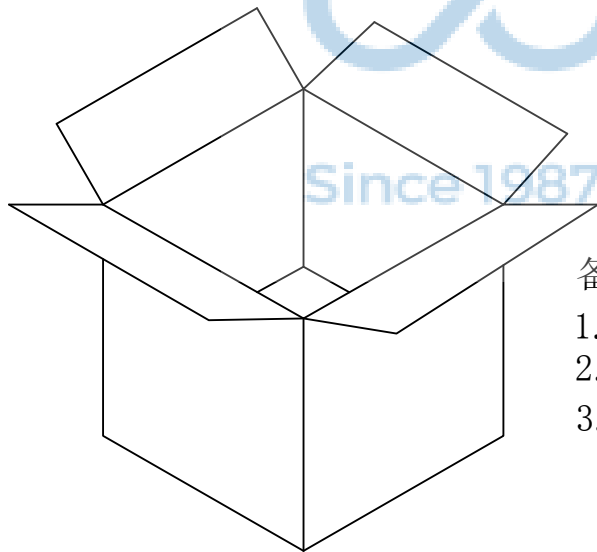
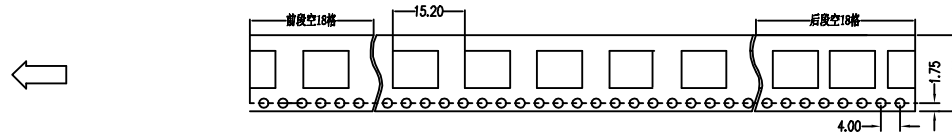
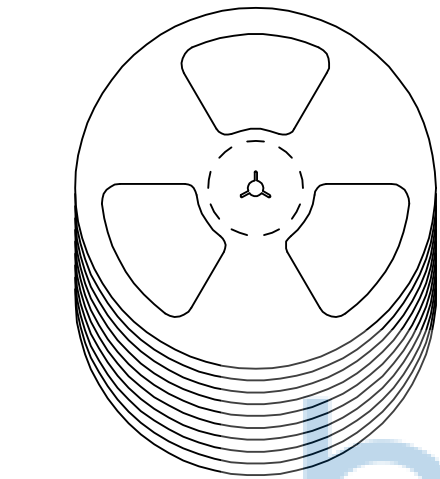
NAME: 3.5耳机座 斜口 沉板3.35 五脚插 四节 (PJ35B245-F05G1BR-A)

PJ. NO.: PJ.03.22-01-3019

SIZE: A4 | DRW NO.:

FINISH: SEE NOTES | MAT'L.: SEE NOTES

SCALE: N/A | REV.: A0 | UNIT: mm | PAGE: 1/1



备注:

1. 包装数量: 1000/PCS/卷, 10卷/箱或15卷/箱。
2. 包装袋长度: 每卷前后各空10-20个空格, 中间包装。
3. 材质:  
载体: 聚丙烯 (PS), 阻抗 $10^{6-9} \Omega$   
上带: 聚乙烯 (PET), 阻抗 $10^{6-11} \Omega$   
卷盘: 聚苯乙烯。

纸箱规格: 345\*345\*23MM

纸箱规格: 345\*345\*35MM

THIS DOCUMENT IS THE SOLE PROPERTY OF BBJconn Technology Co.,Ltd. Corporation AND SHOULD NOT BE USED IN WHOLE OR IN PART WITHOUT PRIOR WRITTEN PERMISSION.		PDWG.NO: 0076-1		DR. SGF 23/05'02		深圳市步步精科技有限公司 .X: ±0.38 .X': ±3" .XX: ±0.25 .X": ±2" .XXX: ±0.13 .XX': ±1"		NAME: 3.5耳机座 斜口 沉板3.35 五脚插 四节 (PJ35B245-F05G1BR-A)	
APPD. JM_Zheng 23/05'02		CHKD. LYX 23/05'02		PJ. NO.: PJ.03.22-01-3019		SIZE: A4 DRW NO.:		FINISH: SEE NOTES MAT'L.: SEE NOTES	
SCALE: N/A		REV.: A0		UNIT: mm		PAGE: 1/1			