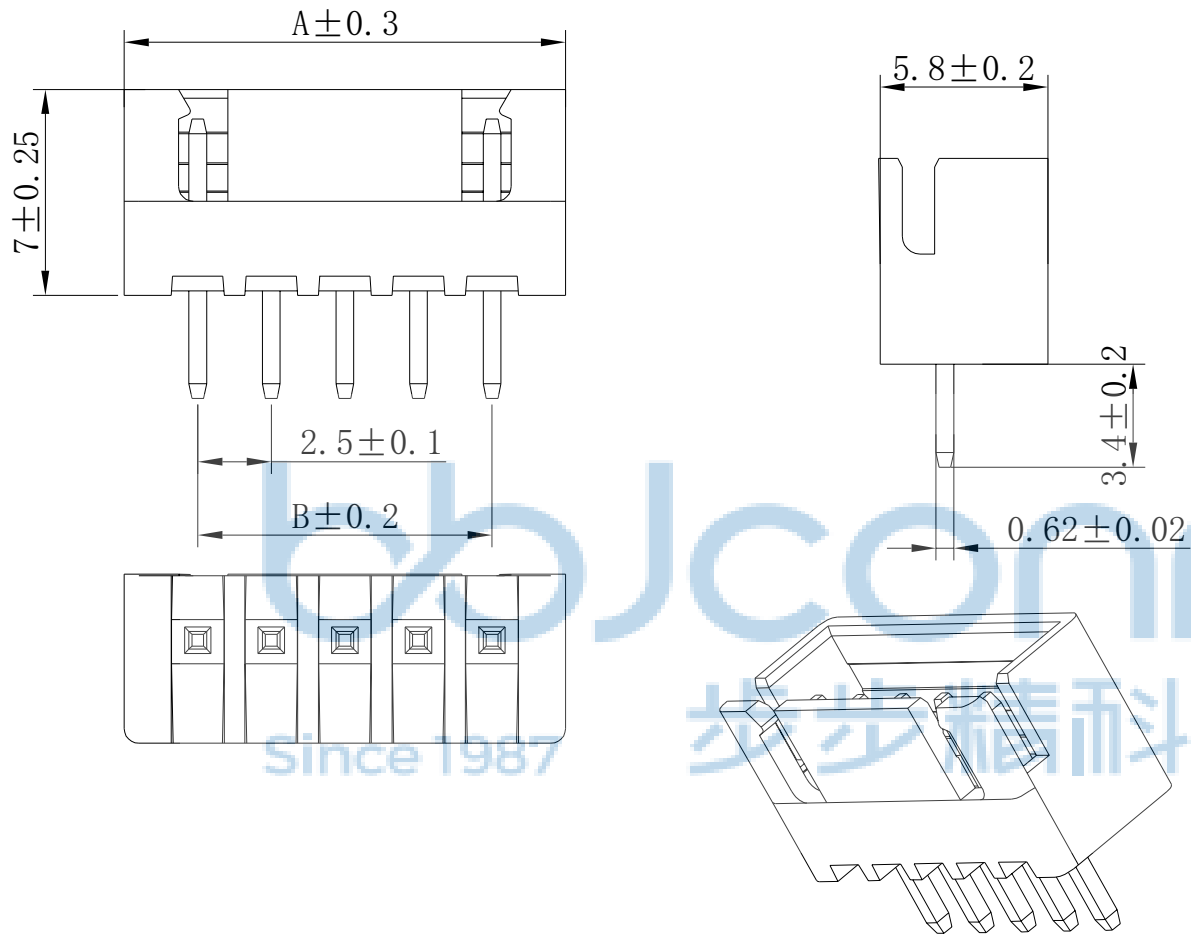


|      |        |         |      |          |
|------|--------|---------|------|----------|
| REV. | ECN NO | CONTENT | DATE | ENGINEER |
| A0   |        |         |      |          |



使用温度范围 (Ambient temperature Range):  $-25^{\circ} \sim +85^{\circ}$   
 适用基板厚度 Applicable PCboard thickness): 1.6mm  
 额定电压 (Voltage rating): 250V AC, DC  
 额定电流 (Current rating): 3A  
 接触电阻 Contact Resistance): 0.02  
 绝缘电阻 (Insulation Resistance): 1000M  
 耐压 (Withstand Voltange): 1000V/min  
 材料 (Material)  
 1. 基座: PA66 FV2  
 2. 插针: 黄铜

| 孔位 | A    | B    |
|----|------|------|
| 2  | 7.5  | 2.5  |
| 3  | 10   | 5.0  |
| 4  | 12.5 | 7.5  |
| 5  | 15.0 | 10.0 |
| 6  | 17.5 | 12.5 |
| 7  | 20.0 | 15.0 |
| 8  | 22.5 | 17.5 |
| 9  | 25.0 | 20.0 |
| 10 | 27.5 | 22.5 |
| 11 | 30.0 | 25.0 |
| 12 | 32.5 | 27.5 |
| 13 | 35.0 | 30.0 |
| 14 | 37.5 | 32.5 |
| 15 | 40.0 | 35.0 |
| 16 | 42.5 | 37.5 |

|    |                      |       |        |         |
|----|----------------------|-------|--------|---------|
| 公差 | >0-3                 | >3-18 | >18-50 | >50-100 |
| 范围 | ±0.15                | ±0.2  | ±0.3   | ±0.5    |
| 材料 | PA66 94V-2 (0) or ul |       |        |         |



THIS DOCUMENT IS THE SOLE PROPERTY OF BBJconn Technology Co., Ltd. Corporation AND SHOULD NOT BE USED IN WHOLE OR IN PART WITHOUT PRIOR WRITTEN PERMISSION.

PDWG.NO: 0102-1

**深圳市步步精科技有限公司**

NAME: XH-8A (2.54-8P) 直针 白色

APPD. JM\_Zheng

CHKD. LYX

DR. SGF

PJ. NO.: WT.02.11-11-1007

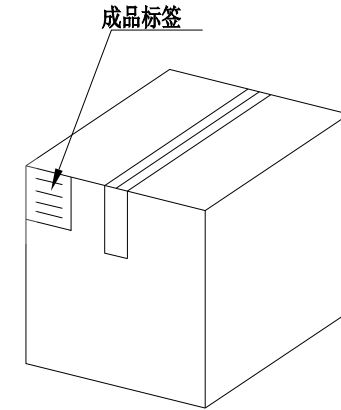
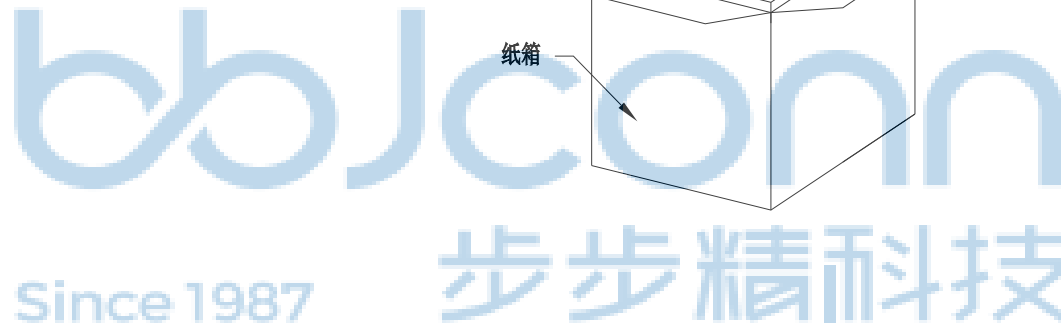
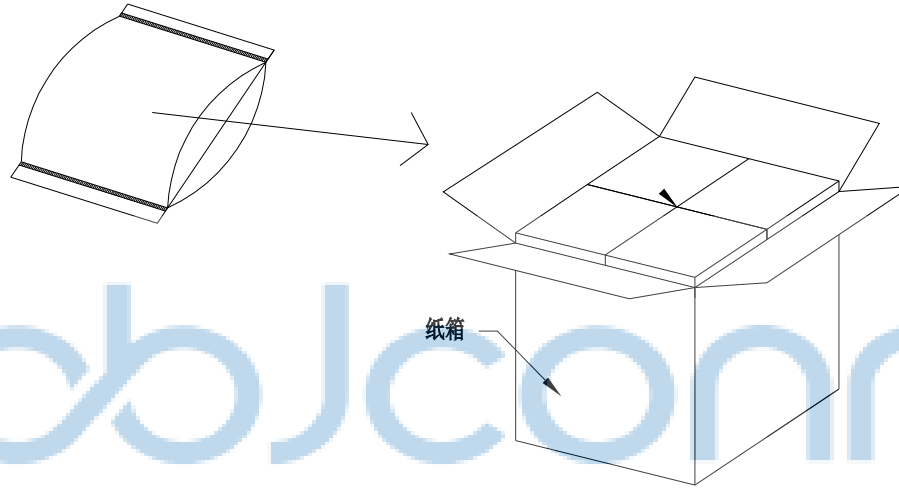
SIZE: A4 DRW NO.:

FINISH: SEE NOTES MAT'L.: SEE NOTES

SCALE: N/A REV.: A3 UNIT: mm PAGE: 1/2

| REV. | ECN NO. | CONTENT | DATE | ENGINEER |
|------|---------|---------|------|----------|
| A0   |         |         |      |          |

PE袋规格:\*\*\*X\*\*\* (以实际出货为准)



1. 包装要求:

- 1.1 每PE袋包装 1000 pcs;
- 1.2 每1袋放一小纸盒;
- 1.3 每20个小纸盒放一个纸箱, 共计20000PCS
- 1.4 纸箱外贴上标签



|   |          |   |  |
|---|----------|---|--|
| THIS DOCUMENT IS THE SOLE PROPERTY OF BBJconn Technology Co., Ltd. Corporation AND SHOULD NOT BE USED IN WHOLE OR IN PART WITHOUT PRIOR WRITTEN PERMISSION. |          | 深圳市步步精科技有限公司<br>.X: ±0.38 X': ±3' NAME: XH-8A (2.54-8P) 直针 白色<br>.XX: ±0.25 .X': ±2'<br>.XXX: ±0.13 .XX': ±1' |  |
| APPD.   | JM_Zheng | PJ. NO.: WT.02.11-11-1007<br>SIZE: A4 DRW NO.:  |  |
| CHKD.   | LYX      |   |  |
| PDWG.NO: 0102-1   | DR. SGF  | FINISH: SEE NOTES MAT'L.: SEE NOTES<br>SCALE: N/A REV.: A3 UNIT: mm PAGE: 2/2                                 |  |