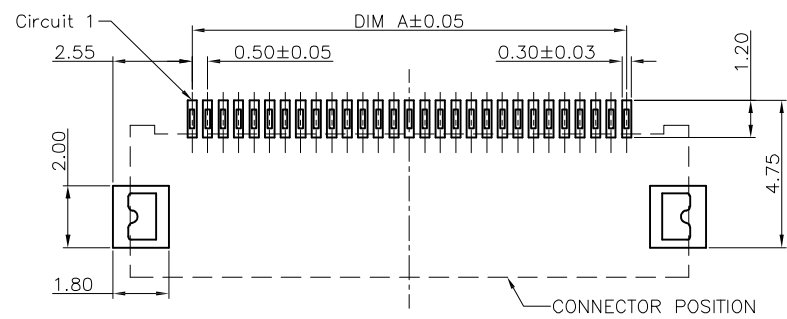
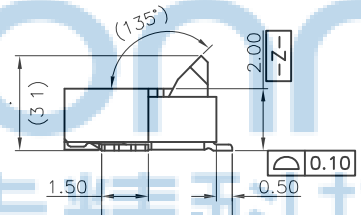
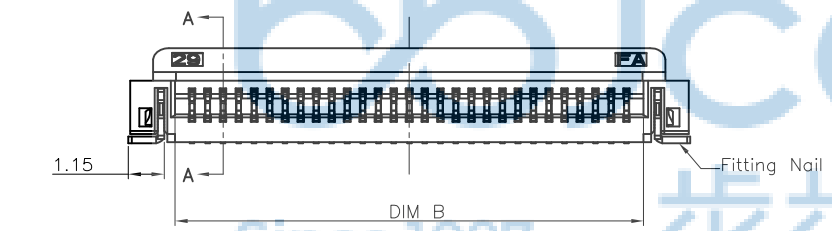
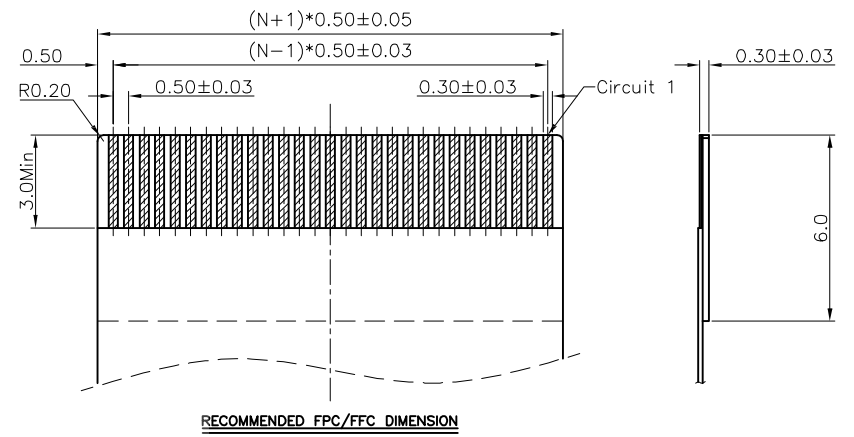
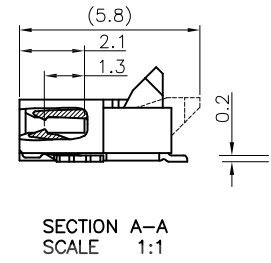
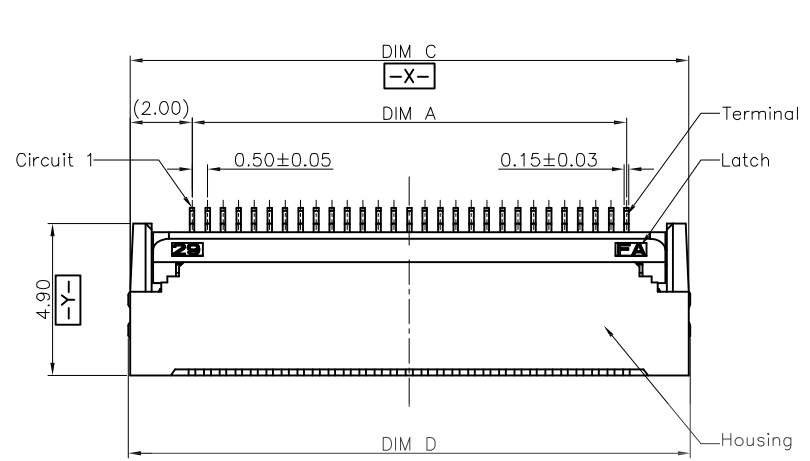


REV.	ECN NO.	CONTENT	DATE	ENGINEER
A0				



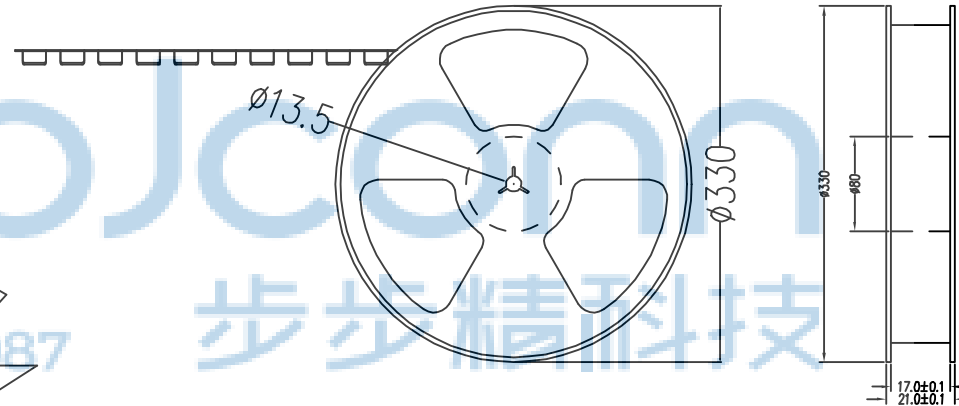
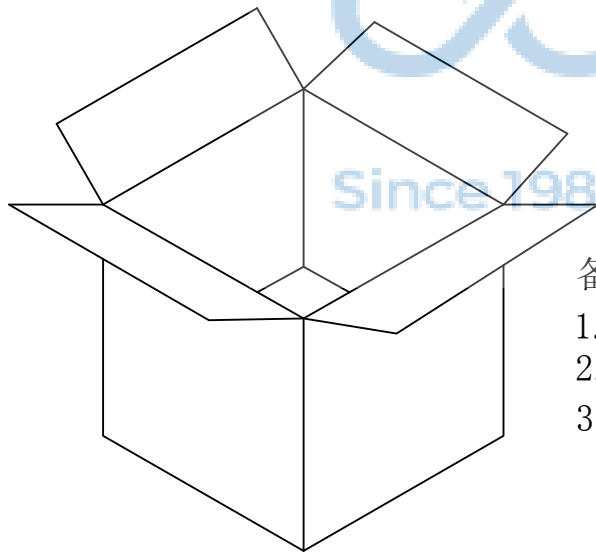
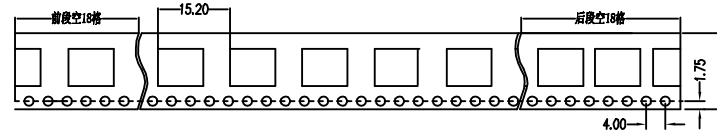
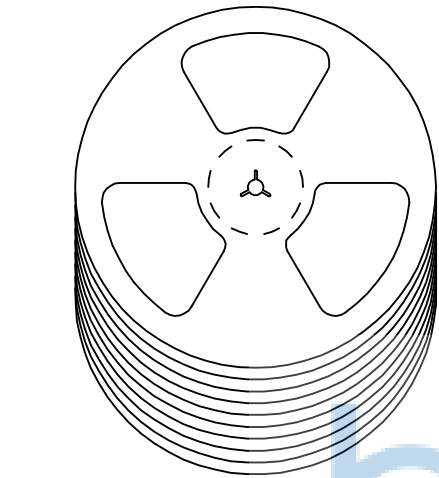
CKTS	DIM A	DIM B	DIM C	DIM D
4	1.50	2.60	3.50	5.60
5	2.00	3.10	4.00	6.10
6	2.50	3.60	4.50	6.60
7	3.00	4.10	5.00	7.10
8	3.50	4.60	5.50	7.60
9	4.00	5.10	6.00	8.10
10	4.50	5.60	6.50	8.60
11	5.00	6.10	7.00	9.10
12	5.50	6.60	7.50	9.60
13	6.00	7.10	8.00	10.10
14	6.50	7.60	8.50	10.60
15	7.00	8.10	9.00	11.10
16	7.50	8.60	9.50	11.60
17	8.00	9.10	10.00	12.10
18	8.50	9.60	10.50	12.60
19	9.00	10.10	11.00	13.10
20	9.50	10.60	11.50	13.60
21	10.00	11.10	12.00	14.10
22	10.50	11.60	12.50	14.60
23	11.00	12.10	13.00	15.10
24	11.50	12.60	13.50	15.60
25	12.00	13.10	14.00	16.10
26	12.50	13.60	14.50	16.60
27	13.00	14.10	15.00	17.10
28	13.50	14.60	15.50	17.60
29	14.00	15.10	16.00	18.10
30	14.50	15.60	16.50	18.60
31	15.00	16.10	17.00	19.10
32	15.50	16.60	17.50	19.60
33	16.00	17.10	18.00	20.10
34	16.50	17.60	18.50	20.60
35	17.00	18.10	19.00	21.10
36	17.50	18.60	19.50	21.60
37	18.00	19.10	20.00	22.10
38	18.50	19.60	20.50	22.60
39	19.00	20.10	21.00	23.10
40	19.50	20.60	21.50	23.60
41	20.00	21.10	22.00	24.10
42	20.50	21.60	22.50	24.60
43	21.00	22.10	23.00	25.10
44	21.50	22.60	23.50	25.60
45	22.00	23.10	24.00	26.10
46	22.50	23.60	24.50	26.60
47	23.00	24.10	25.00	27.10
48	23.50	24.60	25.50	27.60
49	24.00	25.10	26.00	28.10
50	24.50	25.60	26.50	28.60
51	25.00	26.10	27.00	29.10
52	25.50	26.60	27.50	29.60
53	26.00	27.10	28.00	30.10
54	26.50	27.60	28.50	30.60
55	27.00	28.10	29.00	31.10
56	27.50	28.60	29.50	31.60
57	28.00	29.10	30.00	32.10
58	28.50	29.60	30.50	32.60
59	29.00	30.10	31.00	33.10
60	29.50	30.60	31.50	33.60

- Note:
- Material:
 - Housing: thermoplastic high temp.Ul94V-0; Color: natural.
 - Latch: thermoplastic high temp.Ul94V-0; Color: black.
 - Terminal: copper alloy.
 - Fitting Nail: copper alloy.
 - Finish:
 - Terminal: Underplating: Au/matt Tin overall.
 - Fitting Nail: Underplating: matt Tin overall.
 - Product must comply HF RoHS specification.



THIS DOCUMENT IS THE SOLE PROPERTY OF BBJconn Technology Co.,Ltd. Corporation AND SHOULD NOT BE USED IN WHOLE OR IN PART WITHOUT PRIOR WRITTEN PERMISSION.		深圳市步步精科技有限公司 NAME: FPC 0.5-10P 后翻式H2.0 APPD. JM_Zheng CHKD. LYX PDWG.NO: 0407-1 DR. SGF		PJ. NO.: PC.02.05-32-C001 SIZE: A4 DRW NO.: FINISH: SEE NOTES MAT'L.: SEE NOTES SCALE: N/A REV.: A0 UNIT: mm PAGE: 1/2
--	--	--	--	---

REV.	ECN NO	CONTENT	DATE	ENGINEER
A0				



备注:

1. 包装数量: 1500/PCS/卷, 10卷/箱。
2. 包装袋长度: 每卷前后各空10-20个空格, 中间包装。
3. 材质:
 载体: 聚丙烯 (PS), 阻抗 $10^{6-9} \Omega$
 上带: 聚乙烯 (PET), 阻抗 $10^{6-11} \Omega$
 卷盘: 聚苯乙烯。

纸箱规格: 345*345*23MM

纸箱规格: 345*345*35MM

THIS DOCUMENT IS THE SOLE PROPERTY OF BBJconn Technology Co.,Ltd. Corporation AND SHOULD NOT BE USED IN WHOLE OR IN PART WITHOUT PRIOR WRITTEN PERMISSION.		深圳市步步精科技有限公司 .X: ±0.38 .X': ±3' .XX: ±0.25 .X': ±2' .XXX: ±0.13 .XX': ±1'		NAME: FPC 0.5-10P 后翻式H2.0	
APPD.	JM_Zheng	PJ. NO.: PC.02.05-32-C001		SIZE: A4 DRW NO.:	
CHKD.	LYX	FINISH: SEE NOTES		MAT'L.: SEE NOTES	
PDWG.NO:	0407-1	DR.	SGF	SCALE: N/A	REV.: A0
				UNIT: mm	PAGE: 2/2