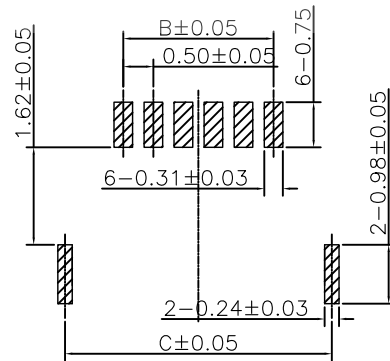
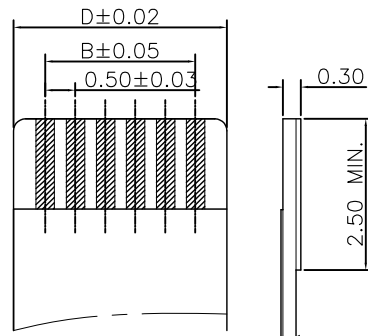
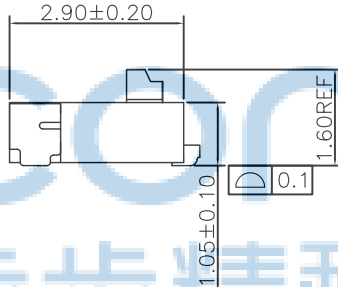
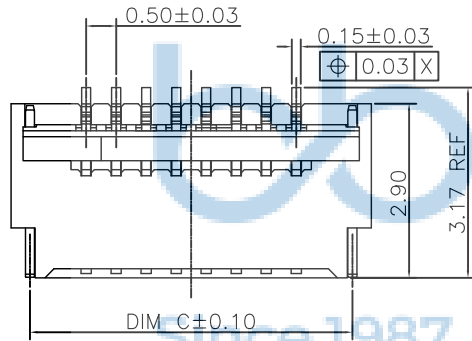
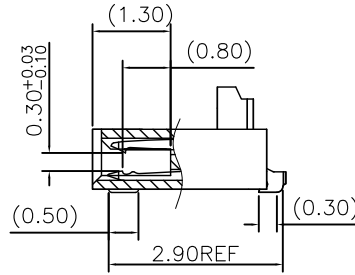
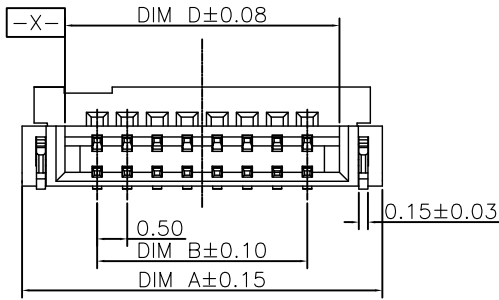


REV.	ECN NO	CONTENT	DATE	ENGINEER
A0				

Note:

- Material
  - 1.1: Housing: LCP UL94-V0
  - 1.2: Actuator: LCP UL94-V0
  - 1.3: Contact: Phosphor Bronze.
  - 1.4: LEG: Phosphor Bronze.
- Plating
  - 2.1: Contact: See Part Number.
  - 2.2: LEG: Matte Tin Plating Over Nickel.
- Rating:
  - 3.1: Operating Voltage: 50V AC/DC.
  - 3.2: Current Rating: 0.5A AC/DC.
  - 3.3: Operating Temperature: -55° C~+85° C.



APPLICABLE FFC/FPC  
FFC/FPC THICKNESS 0.30±0.03

RECOMMENDED PCB LAYOUT(TOP VIEW)  
RECOMMENDED METAL MASK  
PATTERN(THICKNESS 0.10MM)



CKT	DIM A	DIM B	DIM C	DIM D	CKT	DIM A	DIM B	DIM C	DIM D
28	16.00	13.50	15.37	14.57	4	4.00	1.50	3.37	2.57
40	22.00	19.50	21.37	20.57	6	5.00	2.50	4.37	3.57
5	4.50	2.00	3.87	3.07	8	6.00	3.50	5.37	4.57
					10	7.00	4.50	6.37	5.57
					12	8.00	5.50	7.37	6.57
					14	9.00	6.50	8.37	7.57
					16	10.00	7.50	9.37	8.57
					20	12.00	9.50	11.37	10.57
					24	14.00	11.50	13.37	12.57

THIS DOCUMENT IS THE SOLE PROPERTY OF **BBJconn Technology Co.,Ltd.** 深圳市步步精科技有限公司

Corporation AND SHOULD NOT BE USED IN WHOLE OR IN PART WITHOUT PRIOR WRITTEN PERMISSION.

NAME: FPC 0.5-14P 后翻式 H=1.0

PJ. NO.: PC.02.05-12-D006

SIZE: A4 | DRW NO.:

FINISH: SEE NOTES | MAT'L.: SEE NOTES

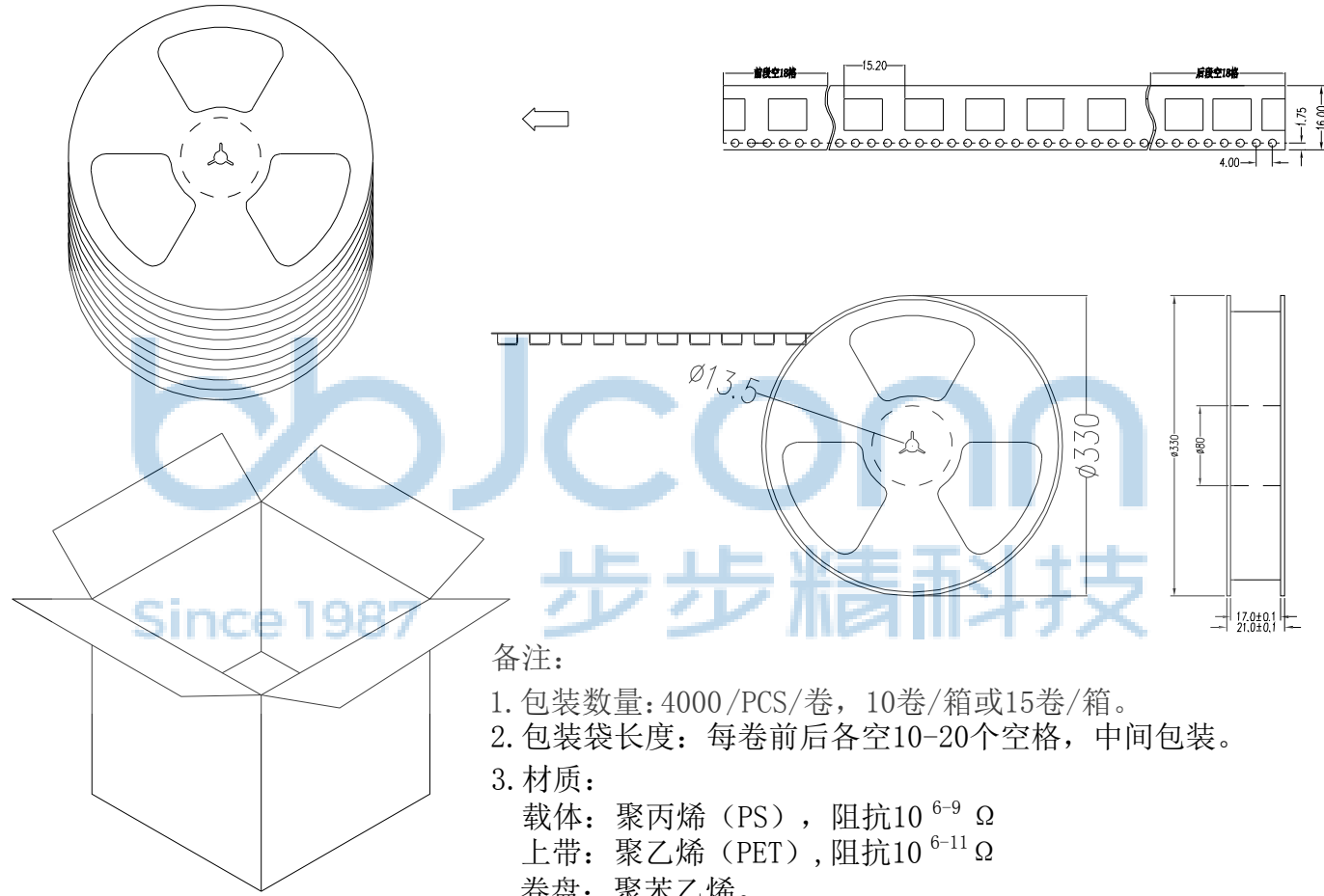
SCALE: N/A | REV.: A0 | UNIT: mm | PAGE: 1/2

APPD. JM\_Zheng | DR. SGF

CHKD. LYX

PDWG.NO: 0428-1


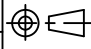
REV.	ECN NO	CONTENT	DATE	ENGINEER
A0				



备注:

1. 包装数量: 4000/PCS/卷, 10卷/箱或15卷/箱。
2. 包装袋长度: 每卷前后各空10-20个空格, 中间包装。
3. 材质:  
载体: 聚丙烯 (PS), 阻抗 $10^{6-9} \Omega$   
上带: 聚乙烯 (PET), 阻抗 $10^{6-11} \Omega$   
卷盘: 聚苯乙烯。

纸箱规格: 345\*345\*23MM  
纸箱规格: 345\*345\*35MM

THIS DOCUMENT IS THE SOLE PROPERTY OF BBJconn Technology Co.,Ltd. Corporation AND SHOULD NOT BE USED IN WHOLE OR IN PART WITHOUT PRIOR WRITTEN PERMISSION.		 <b>深圳市步步精科技有限公司</b>	
.X: ±0.38 .XX: ±0.25 .XXX: ±0.13		NAME: FPC 0.5-14P 后翻式 H=1.0 PJ. NO.: PC.02.05-12-D006 SIZE: A4 DRW NO.: FINISH: SEE NOTES MAT'L.: SEE NOTES SCALE: N/A REV.: A0 UNIT: mm PAGE: 2/2	
APPD.	JM_Zheng		
CHKD.	LYX		
PDWG.NO:	0428-1	DR.	SGF