

| REV. | ECN NO | CONTENT | DATE | ENGINEER |
|------|--------|---------|------|----------|
| A0   |        |         |      |          |

说明:

1. 材质:

胶芯: LCP, UL94V-0; COLOR; BLACK

端子: C2680

外壳: C2680/SPCC

2. 电镀说明:

端子: 接触区域镀金

焊锡区域镀雾锡 100 u"Min

全部区域镍底 50 u" Min

外壳: 表面镀镍 100 u" Min

3. 电气性能:

绝缘阻抗 (EIA-364-21) : 100 MΩ MIN.

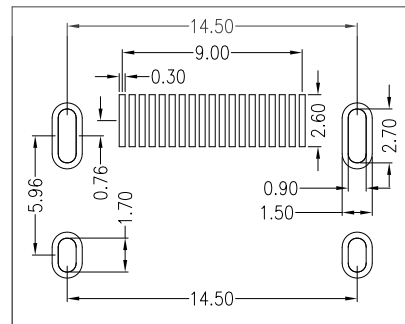
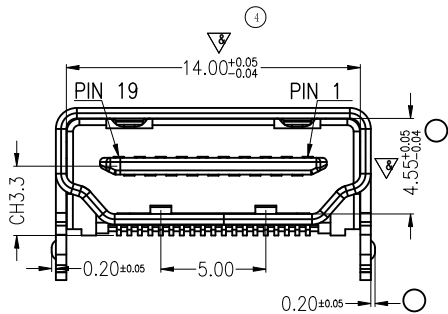
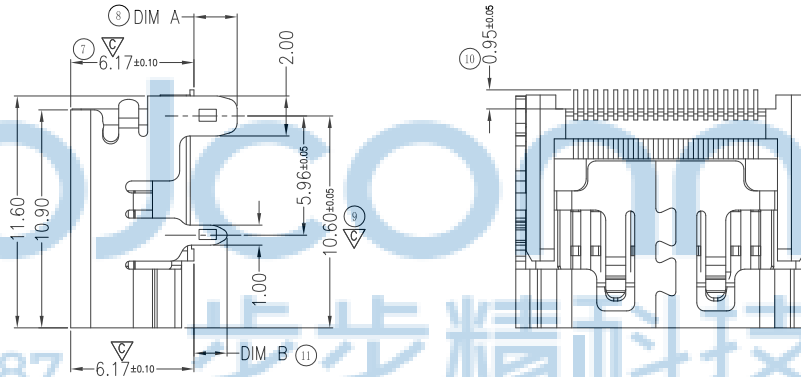
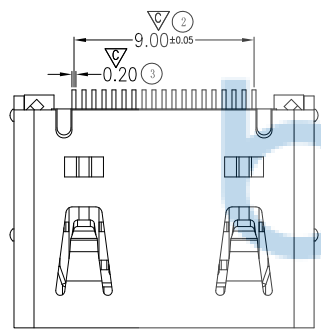
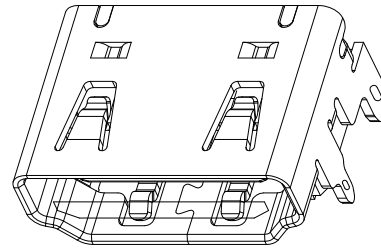
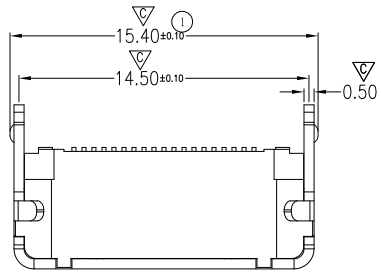
AT 500V/DC FOR 1 MINUTE.

接触阻抗 (EIA-364-06) 30 mΩ MAX.

耐电压 (EIA-364-20) NO DISCHARGE,

FLASHOVER OR BREAKDOWN

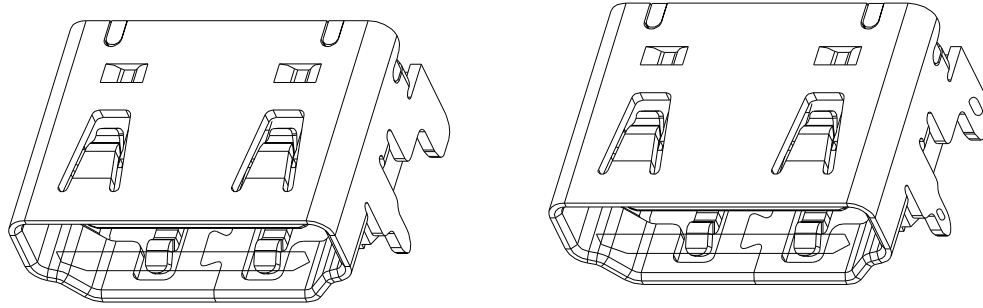
AT 500 V/AC 1MINUTE.



RECOMMENDED P.C.B HOLE LAYOUT  
COMPONENT SIDE VIEW(TOLERANCE: +/-0.05)



|  |           |  |   |
|--|-----------|--|---|
| THIS DOCUMENT IS THE SOLE PROPERTY OF BBJconn Technology Co.,Ltd. Corporation AND SHOULD NOT BE USED IN WHOLE OR IN PART WITHOUT PRIOR WRITTEN PERMISSION. |           | <b>深圳市步步精科技有限公司</b><br>APPROVED<br>工程部                                     |   |
| PDWG.NO: 0100-2  |           | .X: ±0.38    X': ±3'<br>.XX: ±0.25    .X': ±2'<br>.XXX: ±0.13    .XX': ±1' | NAME:<br>HDMI A型 母座 铁壳镀镍 平口 带凸点 L=11.60   |
| APPD. JM_Zheng   | CHKD. LYX | DR. SGF  | PJ. NO.: HD.01.51-11-1005<br>SIZE: A4   DRW NO.:<br>FINISH: SEE NOTES    MAT'L.: SEE NOTES<br>SCALE: N/A    REV.: A0    UNIT: mm    PAGE: 1/3 |



\$ " #

! " #

4. P/N

外壳脚规格:

| 规格 | DIM A | DIM B | 外壳脚凸点 |
|----|-------|-------|-------|
| 1  | 2.16  | 1.66  | 无凸点   |
| 2  | 2.16  | 1.66  | 带凸点   |
| 3  | 1.50  | 1.50  | 无凸点   |
| 4  | 2.20  | 2.20  | 无凸点   |
| 5  | 1.50  | 1.50  | 带凸点   |

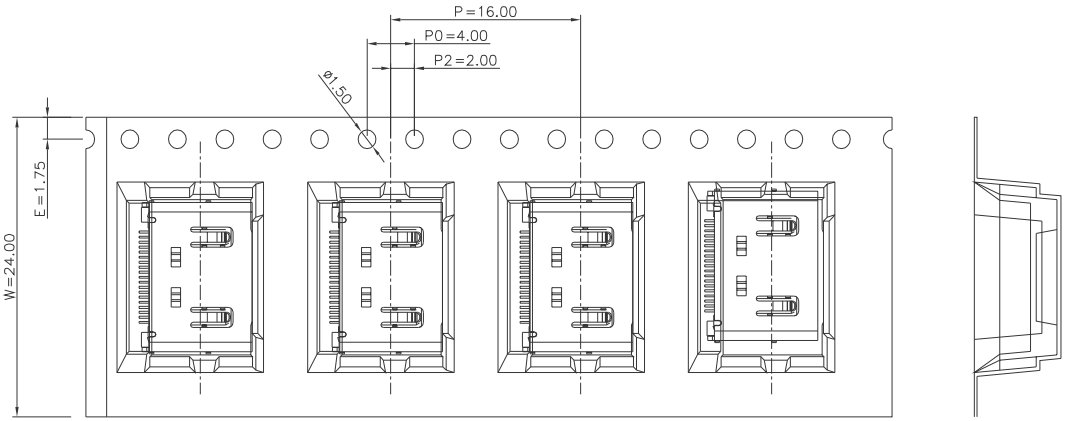
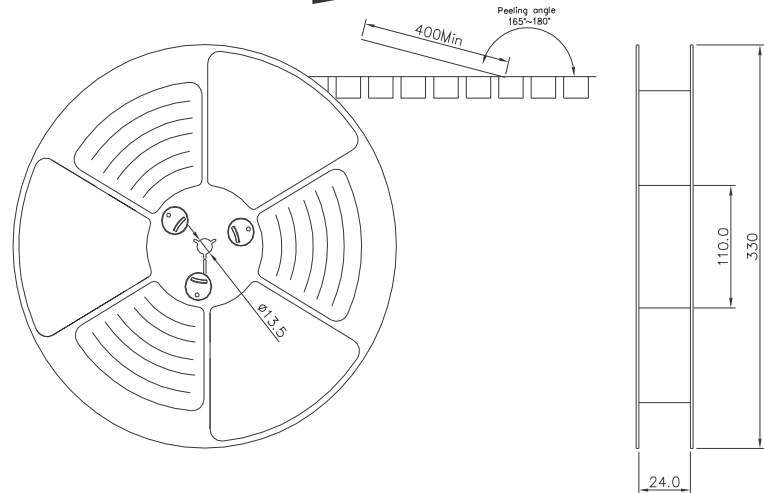
| PIN | Signal Assignment |
|-----|-------------------|
| 1   | TMS Data2+        |
| 3   | TMS Data2-        |
| 5   | TMS Data1 Shield  |
| 7   | TMS Data0+        |
| 9   | TMS Data0-        |
| 11  | TMS Clock Shield  |
| 13  | CEC               |
| 15  | SCL               |
| 17  | DDC/CEC Ground    |
| 19  | Hot Plug Detect   |

| PIN | Signal Assignment |
|-----|-------------------|
| 2   | TMS Data2 Shield  |
| 4   | TMS Data1+        |
| 6   | TMS Data1-        |
| 8   | TMS Data0 Shield  |
| 10  | TMS Clock+        |
| 12  | TMS Clock-        |
| 14  | Utility           |
| 16  | SDA               |
| 18  | +5V Power         |

|   |   |   |  |
|---|---|---|--|
| THIS DOCUMENT IS THE<br>SOLE PROPERTY OF<br>BBJconn Technology Co.,Ltd.<br>Corporation AND SHOULD<br>NOT BE USED IN WHOLE<br>OR IN PART WITHOUT<br>PRIOR WRITTEN PERMISSION.<br>PDWG.NO: 0100-2 | \$! c 2! • 2! 0 ° 9L€ œ (                       |   | NAME:<br>HDMI ADÍ Ā, xù ìú¿Ç¶/ÆÅø /Æ½¿Ú 'ø1'µā L=11.60           |
|   | APPD. JM_Zheng<br>CHKD. LYX<br>DR. SGF          | PJ. NO.: HD.01.51-11-1005<br>SIZE: A4 DRW NO.:<br>FINISH: SEE NOTES MAT'L.: SEE NOTES<br>SCALE: N/A REV.: A0 UNIT: mm PAGE: 2/3 | .X: ±0.38 X': ±3'<br>.XX: ±0.25 X'': ±2'<br>.XXX: ±0.13 XX': ±1' |
|   | OR IN PART WITHOUT<br>PRIOR WRITTEN PERMISSION. |   |  |
|   | PDWG.NO: 0100-2                                 |   |  |

出料方向

PULL OUT DIRECTEON



NOTES

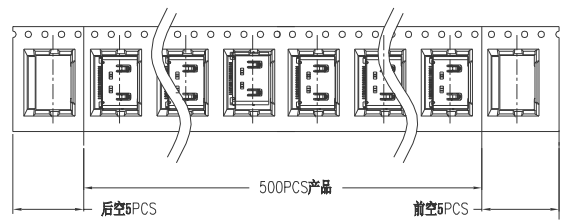
1. 帶子引導長度  
LEAD TAPE LENGTH

出料方向

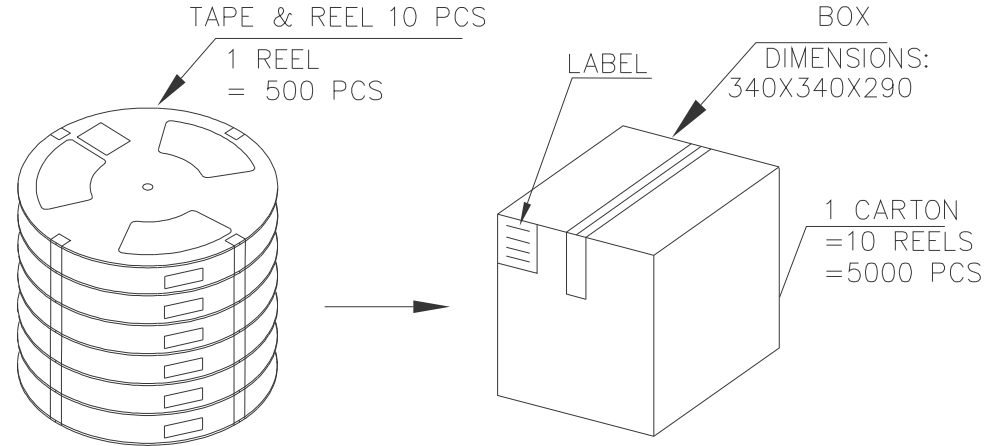
PULL OUT DIRECTEON

出料方向

PULL OUT DIRECTEON



2. 出貨運輸過程中一定注意：  
THIS REQUIREMENT SHOULD BE APPLIED AT SHIPMENT：  
卷帶在運輸過程中不能散開  
PEELING OFF SHOULD NOT BE ALLOWED DURING TRANSPORTATION



| 包装明细表 (The detail of the packing) Carton |                         |             |         |                |          |          |
|--|-------------------------|-------------|---------|----------------|----------|----------|
| 产品料号<br>(Product No.)                    | 包装容量 (Packing Capacity) |             |         | 重量 Weight (Kg) |          |          |
|  | pcs/box                 | boxs/Carton | Pcs/Box | N.W./Pcs       | N.W./Box | G.W./Box |
|  | 500                     | 10          | 5000    | ----           | ----     | ----     |

|  |  |  |  |   |  |
|--|--|--|--|---|--|
| THIS DOCUMENT IS THE SOLE PROPERTY OF BBJconn Technology Co.,Ltd. Corporation AND SHOULD NOT BE USED IN WHOLE OR IN PART WITHOUT PRIOR WRITTEN PERMISSION. |  |  |  | NAME: HDMI AD1 Ä,xù lú¿Ç¶ÆÅø Æ½¿Ü 'øí'µã L=11.60                              |  |
| PDWG.NO: 0100-2  |  | .X: ±0.38 X': ±3'<br>.XX: ±0.25 X'': ±2'<br>.XXX: ±0.13 XX': ±1' |  | APPD. JM_Zheng<br>CHKD. LYX<br>DR. SGF  |  |
|  |  | PJ. NO.: HD.01.51-11-1005<br>SIZE: A4 DRW NO.:                   |  | FINISH: SEE NOTES MAT'L.: SEE NOTES<br>SCALE: N/A REV.: A0 UNIT: mm PAGE: 3/3 |  |