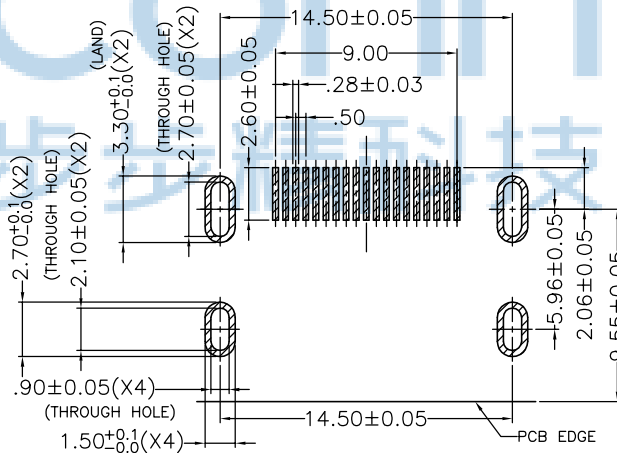
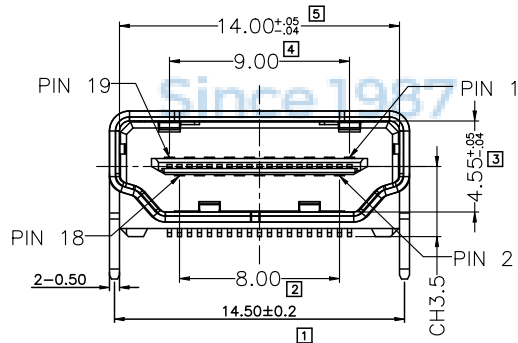
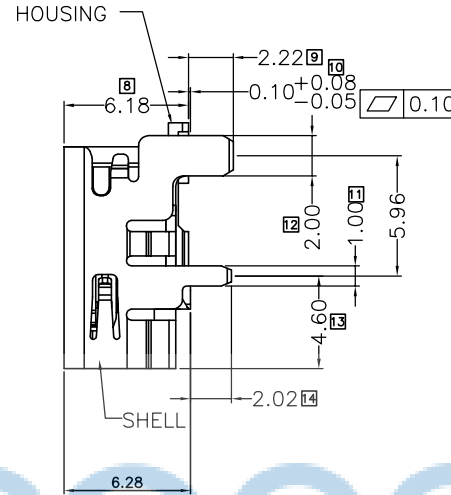
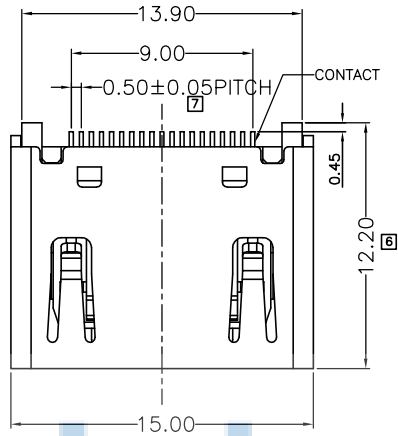


REV.	ECN NO.	CONTENT	DATE	ENGINEER
AO				

**SPECIFICATION**

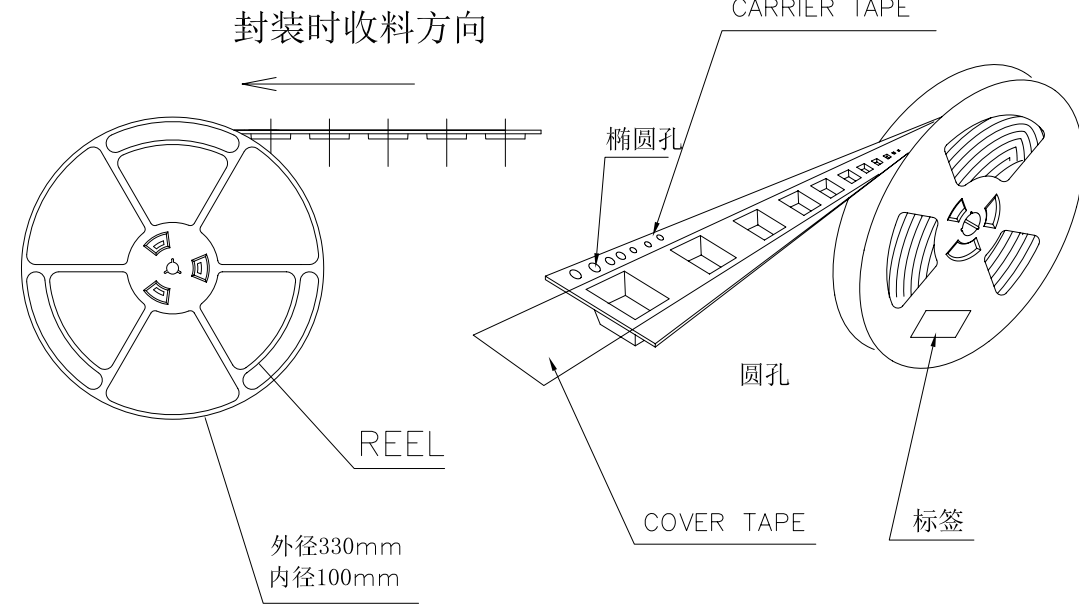
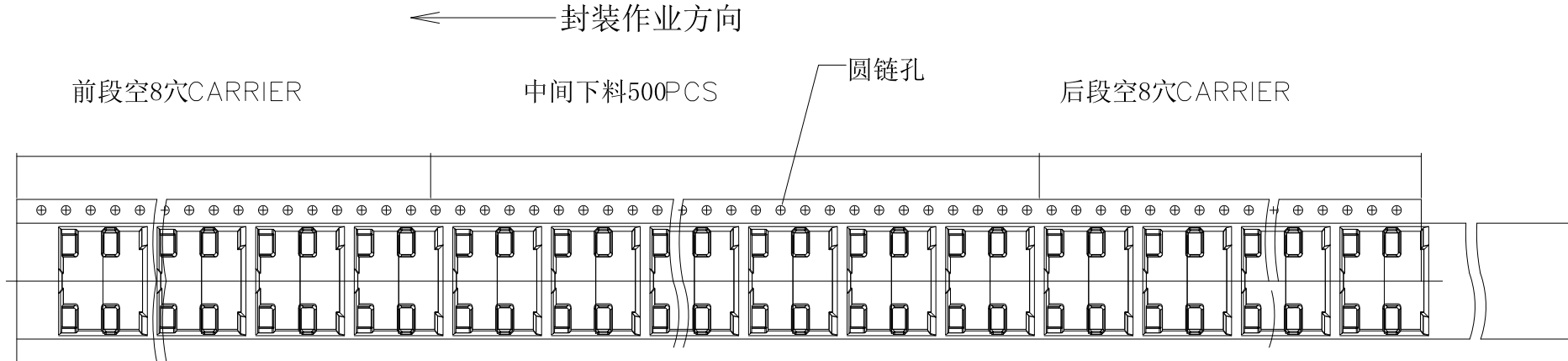
- Electrical characteristics
  - Contact Current Rating: 0.5 A
  - Dielectric Withstanding Voltage: 300V AC
  - Insulation Resistance: a. Mate 100MΩ MIN at 500V/DC  
b. Unmate 10MΩ MIN at 150V/DC
  - Contact Resistance: 30mΩ MAX
  - Temperature Range: -20° C to +85° C
- Mechanical
  - Mating Face: 44.1N MAX
  - Unmating Face: 9.8N MIN; 39.2N MAX
  - Durability: 10000 Cycles
- Material:
  - HOUSING: THERMOPLASTICS HIGH TEMP LCP+GLASS  
FIBER BLACK COLOR, UL94V-0
  - CONTACT: Copper Alloy, T=0.20MM
  - SHELL: Copper Alloy (SPCC), T=0.50MM
- PLATING:
  - CONTACT: 1~30u" GOLD/TIN PLATING ON CONTACT AREA  
100u" MIN, TIN PLATING ON SOLDER TAILS  
50u" MIN, NICKEL UNDERPLATING OVER ALL
  - SHELL: 80u", NICKEL UNDERPLATING OVER ALL
- \*"Key control size



**RECOMMENDED PCB LAYOUT(TOP VIEW)**  
(THICKNESS=1.6±0.05mm)



THIS DOCUMENT IS THE SOLE PROPERTY OF BBJconn Technology Co., Ltd. Corporation AND SHOULD NOT BE USED IN WHOLE OR IN PART WITHOUT PRIOR WRITTEN PERMISSION.		<b>深圳市步步精科技有限公司</b>	
.X: ±0.38 .XX: ±0.25 .XXX: ±0.13		X': ±3" X'': ±2" X'X': ±1"	
APPD.	JM_Zheng	NAME: HDMI 2.1 母座 19P 板上四脚插 L=12.20 平口 LCP黑胶 铜壳(端子SMT)	
CHKD.	LYX	P.J. NO.: HD.01.51-24-B001	
DR.	SGF	SIZE: A4   DRW NO.:	
PDWG. NO: 0301-1		FINISH: SEE NOTES   MAT'L.: SEE NOTES	
		SCALE: N/A   REV.: A0   UNIT: mm   PAGE: 1/3	



10	保护带	10条/箱	
9	外箱	1个 (35*35*32.5CM)	
8	纸板	2个/箱	
7	三角衬	4个/箱	
6	防水袋	1个/箱	
5	标签	11张/箱	
4	元件	500PCS*10卷/箱	
3	REEL	330*29*10组/箱	A蓝
2	Carrier Tape	24mm*16mm*8M/R	
1	Cover Tape	宽21.0mm*8M/R	
序号	名称	规格数量	备注



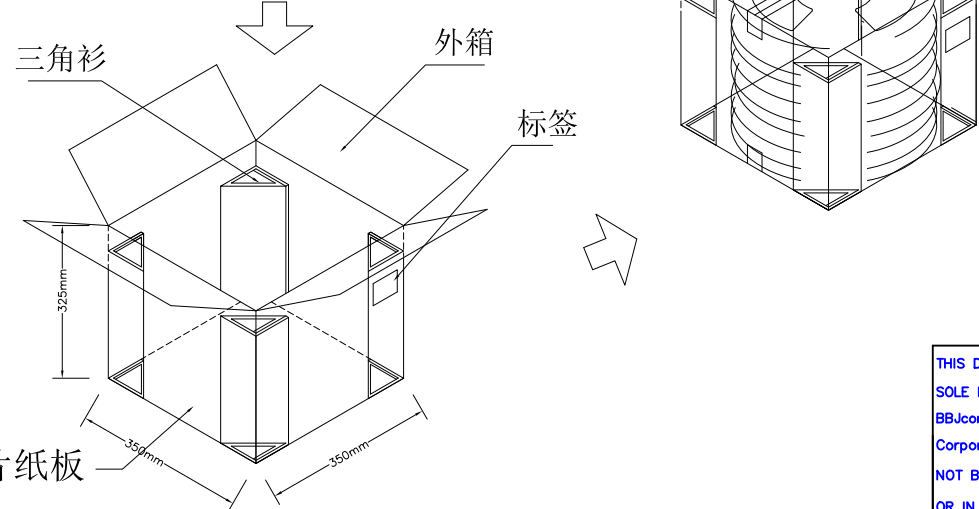
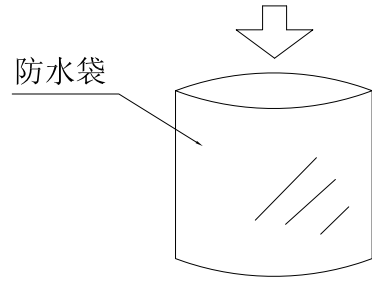
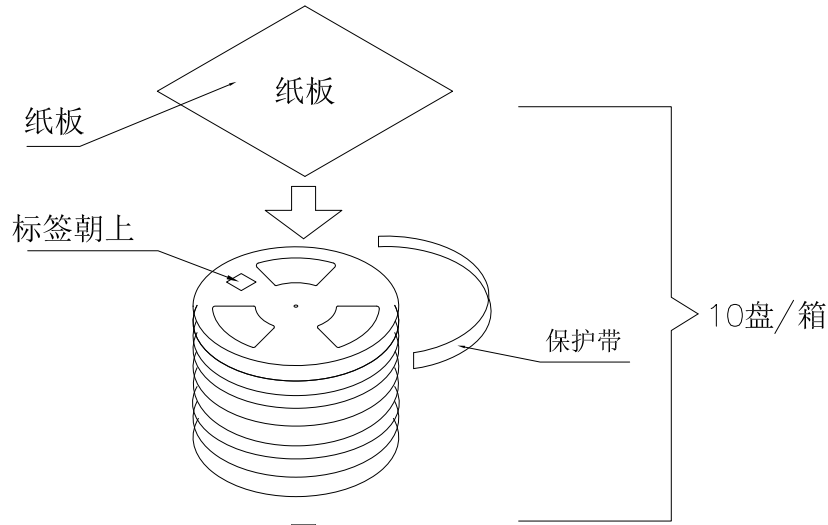
THIS DOCUMENT IS THE SOLE PROPERTY OF BBJconn Technology Co.,Ltd. Corporation AND SHOULD NOT BE USED IN WHOLE OR IN PART WITHOUT PRIOR WRITTEN PERMISSION.

PDWG.NO: 0301-1

APPD. JM\_Zheng  
CHKD. LYX  
DR. SGF

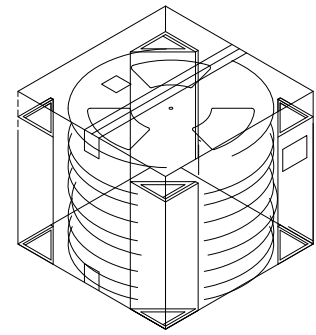
NAME: HDMI 2.1 母座 19P 板上四脚插 l=12.20 平口 LCP黑胶 铜壳 (端子SMT)

PJ. NO.: HD. 01. 51-24-B001  
SIZE: A4 | DRW NO.:  
FINISH: SEE NOTES | MAT'L.: SEE NOTES  
SCALE: N/A | REV.: A0 | UNIT: mm | PAGE: 2/3



封装规范:

1. 外箱底部先垫一片纸板
2. 外箱四个内角各放置一个角衫
3. REEL标签一律朝上
4. 把卷装好的产品平放防水袋
5. 将包装好的产品放进外箱
6. 上层放一片纸板
7. 标签贴于箱外
8. 包装数量: 500pcs/盘, 10盘/箱, 5000pcs/箱



THIS DOCUMENT IS THE SOLE PROPERTY OF BBJconn Technology Co.,Ltd. Corporation AND SHOULD NOT BE USED IN WHOLE OR IN PART WITHOUT PRIOR WRITTEN PERMISSION.				NAME: HDMI 2.1 母座 19P 板上四脚插 L=12.20 平口 LCP黑胶 铜壳 (端子SMT)	
PDWG.NO: 0301-1		APPD. JM_Zheng CHKD. LYX DR. SGF		PJ. NO.: HD. 01. 51-24-B001 SIZE: A4   DRW NO.: FINISH: SEE NOTES   MAT'L.: SEE NOTES SCALE: N/A   REV.: A0   UNIT: mm   PAGE: 3/3	

底部先垫一片纸板