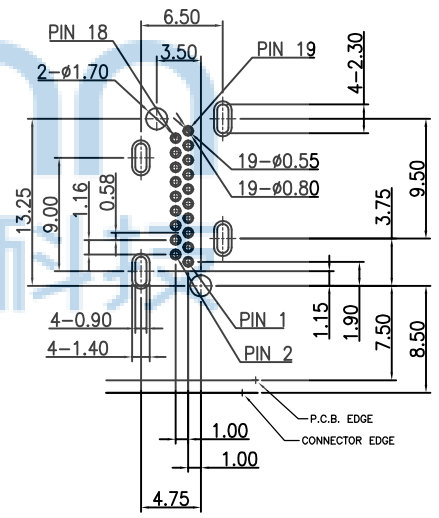
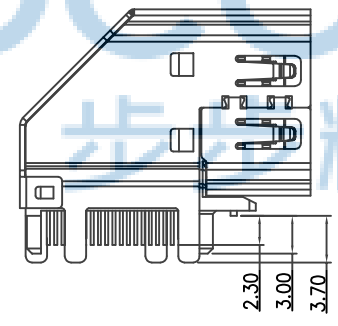
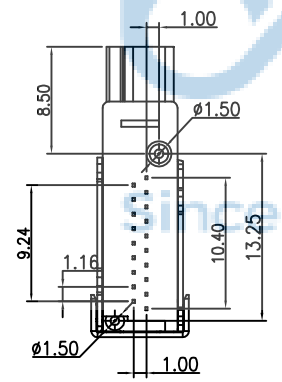


- SPECIFICATIONS:
- ELECTRICAL CHARACTERISTICS
    - CURRENT RATING: 0.5 AMP
    - VOLTAGE RATING: 40 V
    - CONTACT RESISTANCE: 30MILLIOHMS MAX
    - INSULATION RESISTANCE: 100M MIN. @500V DC
    - DIELECTRIC WITHSTANDING VOLTAGE: 500V AC FOR 1 MINUTE
  - MECHANICAL CHARACTERISTICS:
    - INSERTION FORCE : 4.5KGF MAX.
    - WITHDRAWING FORCE : 1KGF ~ 4KGF.
  - LIFE TEST: 10000 CYCLES
  - OPERATING TEMPERATURE: -25° C TO +85° C
  - PART NO. DESCRIPTION:



RECOMMENDED PCB LAYOUT (TOP VIEW)  
TOLERANCE: ±0.05mm



C	SHELL	1	Brass C2680 Ni 50u" T=0.4mm PLATING ALL OVER
B	TERMINAL	19	Brass C2680 NI 30u" ,T=0.2±0.02mm
A	HOUSING	1	LCP UL94V-0 BLACK
NO	PART NAME	QTY	MATERIAL PLATING & COLOR

THIS DOCUMENT IS THE SOLE PROPERTY OF BBJconn Technology Co.,Ltd. CORPORATION AND SHOULD NOT BE USED IN WHOLE OR IN PART WITHOUT PRIOR WRITTEN PERMISSION.

PDWG.NO: 0295-1

APPD. JM\_Zheng 23/05'02

CHKD. LYX 23/05'02

DR. SGF 23/05'02

NAME: HDMI AF 19P 侧插L=23.06 四直插脚 带柱 P脚距1.0 针长2.3 DIP 平口 铜壳 (HDMI19FCZ1218)

PJ. NO.: HD.01.41-24-J002

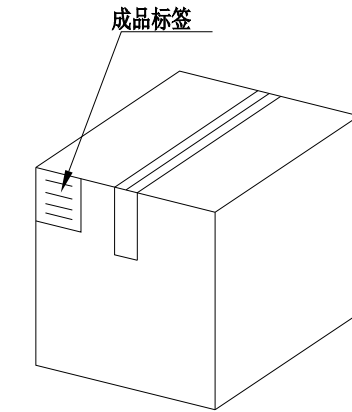
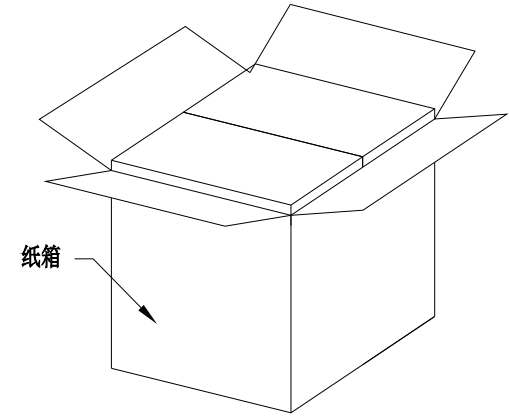
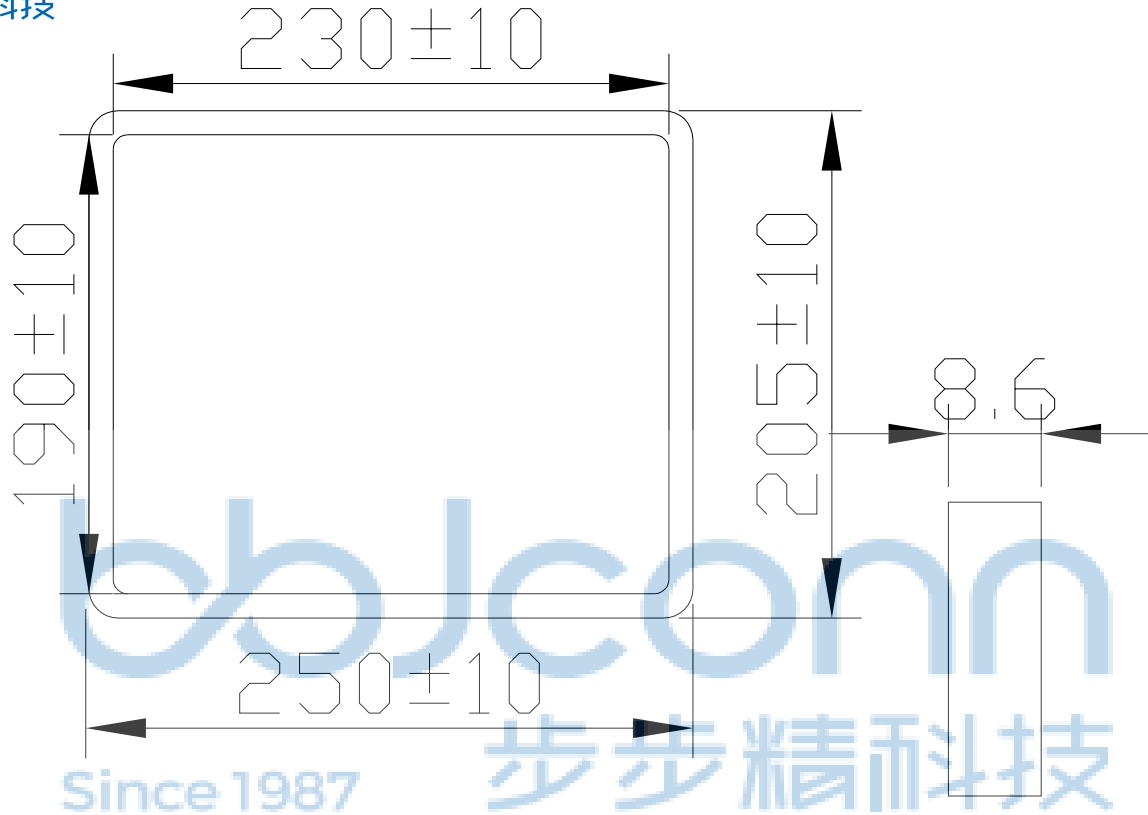
SIZE: A4 | DRW NO.:

FINISH: SEE NOTES | MAT'L.: SEE NOTES

SCALE: N/A | REV.: A0 | UNIT: mm | PAGE: 1/1

深圳市步步精科技有限公司

REV.	ECN NO.	CONTENT	DATE	ENGINEER
A0			2023 20/04	



纸箱规格: 350\*210\*290

1. 包装要求:

- 1.1 每盒吸塑盒包装 50 pcs;
- 1.2 每20盘放一箱, 共计1000PCS;
- 1.3 纸箱外贴上标签



THIS DOCUMENT IS THE SOLE PROPERTY OF BBJconn Technology Co., Ltd. Corporation AND SHOULD NOT BE USED IN WHOLE OR IN PART WITHOUT PRIOR WRITTEN PERMISSION.		深圳市步步精科技有限公司	
.X: $\pm 0.38$	X': $\pm 3'$	NAME: HDMI AF 19P 侧插L=23.06 四直插脚 带柱 P脚距1.0 针长2.3 DIP 平口 铜壳 (HDMI19FCZ1218)	
.XX: $\pm 0.25$	.X': $\pm 2'$	APPD.	JM_Zheng 23/05'02
.XXX: $\pm 0.13$	.XX': $\pm 1'$	CHKD.	LYX 23/05'02
PDWG.NO: 0295-1	DR.	SGF	23/05'02
FINISH: SEE NOTES		MAT'L.: SEE NOTES	
SCALE: N/A	REV.: A0	UNIT: mm	PAGE: 1/1