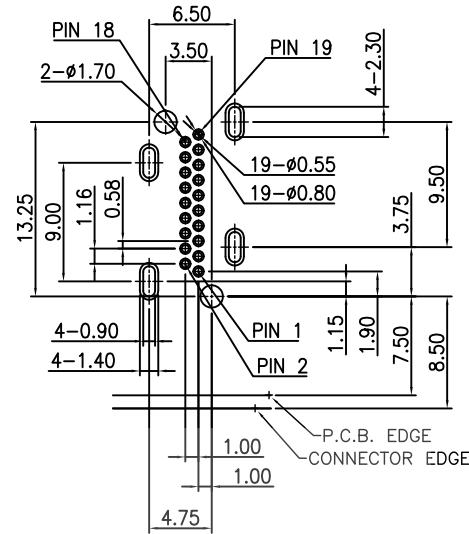
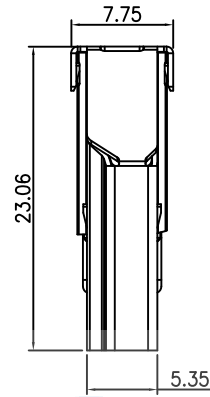
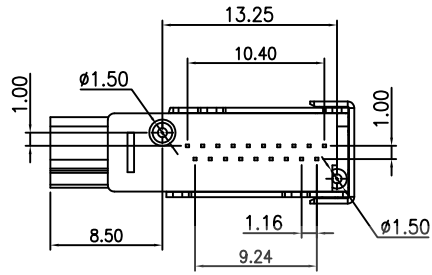
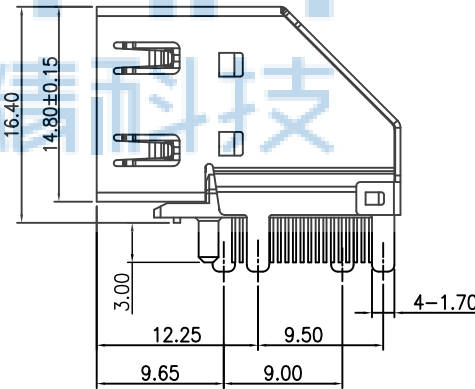
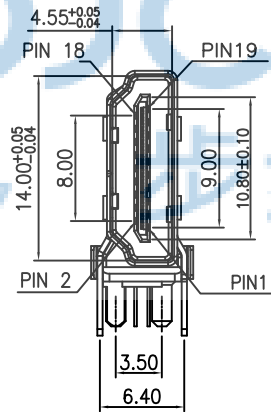
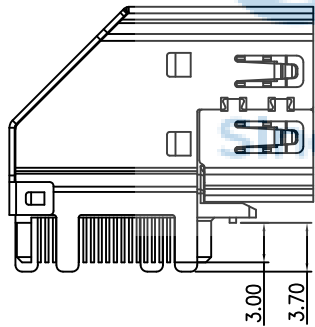


REV.	ECN NO	CONTENT	DATE	ENGINEER
A0			2023 20/04	



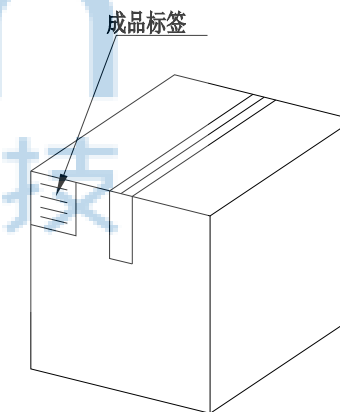
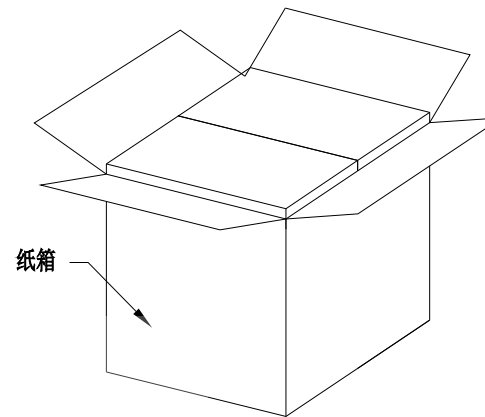
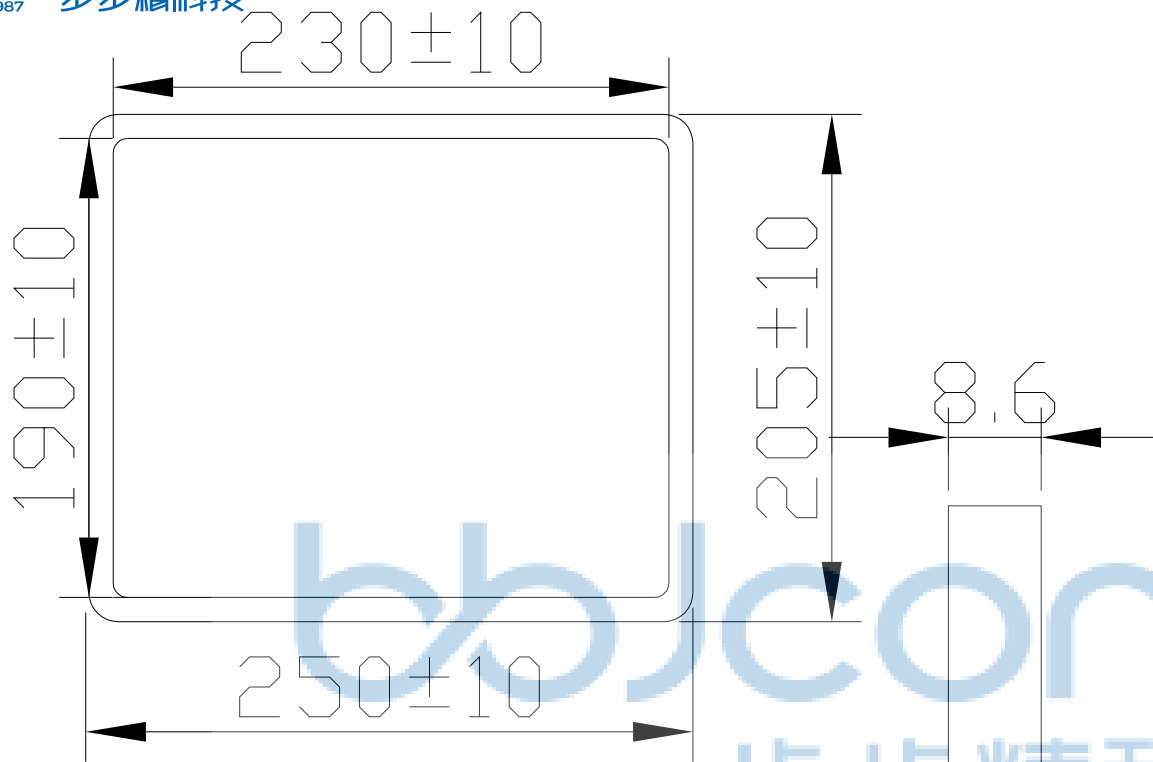
- NOTE:
- MATERIAL:
 - 1.1 TERMINAL: BRASS, T=0.2±0.02MM.
 - 1.2 SHELL: BRASS, T=0.4±0.02MM.
 - 1.3 HOUSING: LCP+30% G. F. (UL94-0), BLACK.
 - PLATING:
 - 2.1 TERMINAL: GOLD FLASH PLATED ON CONTACT AREA, 1000" SN PLATED ON SOLDER TAIL AREA, BOTH OVER 50U" MIN. NI UNDERPLATED OVERALL.
 - 2.2 SHELL: 80U"MIN. WELDABLE NI OVERALL.
 - SPECIFICATIONS:
 - 3.1 CURRENT RATING: 0.5A
 - 3.2 LLCR: CONTACT:30mΩ MAX, SHELL:50mΩ MAX
 - 3.3 DIELECTRIC WITHSTANDING VOLTAGE:500V AC (UNMATED), 300V AC (MATED)
 - 3.4 INSULATION RESISTANCE: UNMATED:100MΩ MIN AT 500V DC, MATED:10MΩ MIN AT 150V DC
 - 3.5 OPERATING TEMPERATURE:-20℃ ~ +85℃

RECOMMENDED PCB LAYOUT (TOP VIEW)
TOLERANCE: ±0.05mm



THIS DOCUMENT IS THE SOLE PROPERTY OF BBJconn Technology Co.,Ltd. CORPORATION AND SHOULD NOT BE USED IN WHOLE OR IN PART WITHOUT PRIOR WRITTEN PERMISSION.		深圳市步步精科技有限公司	
PDWG.NO: 0295-1		.X: ±0.38 .XX: ±0.25 .XXX: ±0.13	X': ±3" X'': ±2" X''': ±1"
APPD.	JM_Zheng	23/05'02	NAME: HDMI AF 19P 侧插L=23.06 四直插脚 带柱 P脚距1.0 针长3.0 DIP 平口 铜壳 无LOGO (HDMI19FCZ1230)
CHKD.	LYX	23/05'02	PJ. NO.: HD.01.41-24-J003 SIZE: A4 DRW NO.:
DR.	SGF	23/05'02	FINISH: SEE NOTES SCALE: N/A REV.: A0 UNIT: mm PAGE: 1/1

REV.	ECN NO	CONTENT	DATE	ENGINEER
A0			2023 20/04	



纸箱规格: 350*210*290

1. 包装要求:

- 1.1 每盒吸塑盒包装100 pcs;
- 1.2 每20盘放一箱, 共计2000PCS;
- 1.3 纸箱外贴上标签



THIS DOCUMENT IS THE SOLE PROPERTY OF BBJconn Technology Co.,Ltd. Corporation AND SHOULD NOT BE USED IN WHOLE OR IN PART WITHOUT PRIOR WRITTEN PERMISSION.		深圳市步步精科技有限公司 .X: ±0.38 .X': ±3" .XX: ±0.25 .X": ±2" .XXX: ±0.13 .XX': ±1"		NAME: HDMI AF 19P 侧插L=23.06 四直插脚 带柱 P脚距1.0 针长3.0 DIP 平口 铜壳 无LOGO (HDMI19FCZ1230)	
APPD.	JM_Zheng	23/05'02	PJ. NO.: HD.01.41-24-J003		
CHKD.	LYX	23/05'02	SIZE: A4 DRW NO.:		
PDWG.NO:	0295-1	DR.	SGF	23/05'02	FINISH: SEE NOTES MAT'L.: SEE NOTES SCALE: N/A REV.: A0 UNIT: mm PAGE: 1/1