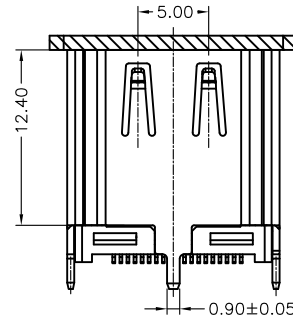
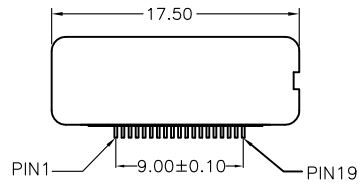
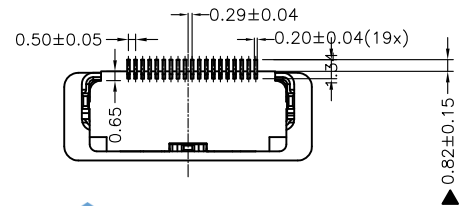
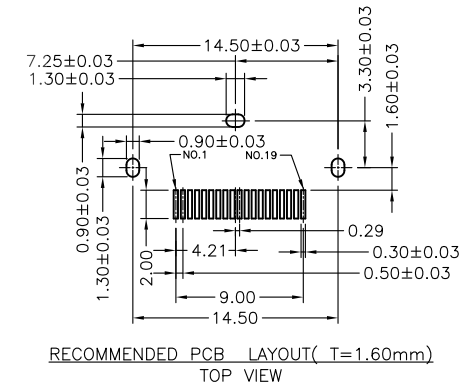
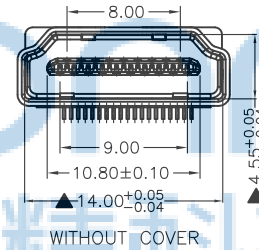
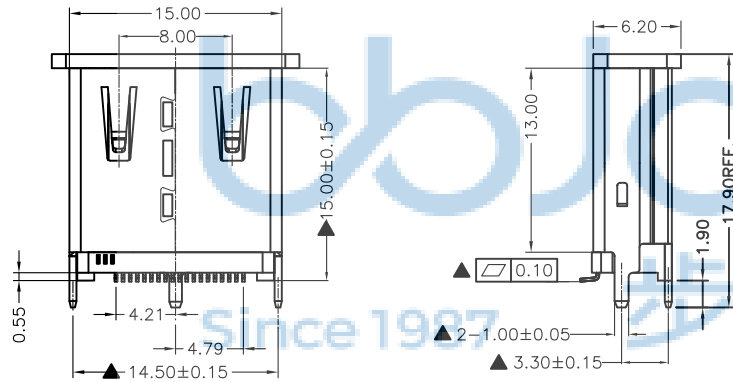


REV.	ECN NO	CONTENT	DATE	ENGINEER
A0				



NOTES:

- ELECTRONIC:**
CONTACT RESISTANCE: 20mohm MAX
INSULATION RESISTANCE: 1000 Mohm MIN
WITHSTAND VOLTAGE: AC 500V, 1min.
- MECHANICAL:**
DURABILITY: 10000 CYCLE.
- ENVIRONMENT CHARACTERISTICS:**
OPERATING TEMPERATURE: -55°C TO +105°C
- 标称“▲”符号的尺寸为重点检验尺寸;



4	SHELL	1	COPPER ALLOY T=0.50	NI PLATED
3	CONTACT	19	COPPER ALLOY T=0.20	AU PLATED
2	CAP	1	THERMOPLASTIC(LCP)	(UL 94V-0) BLACK
1	HOUSING	1	THERMOPLASTIC(LCP)	(UL 94V-0) BLACK
No.	PART NAME	QTY	MATERIAL	REMARK



THIS DOCUMENT IS THE SOLE PROPERTY OF BBJconn Technology Co., Ltd. Corporation AND SHOULD NOT BE USED IN WHOLE OR IN PART WITHOUT PRIOR WRITTEN PERMISSION.
PDWG NO: 0404-1

深圳市步步精科技有限公司

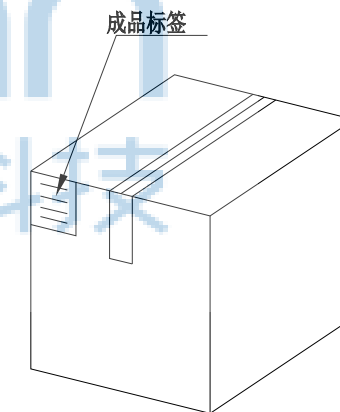
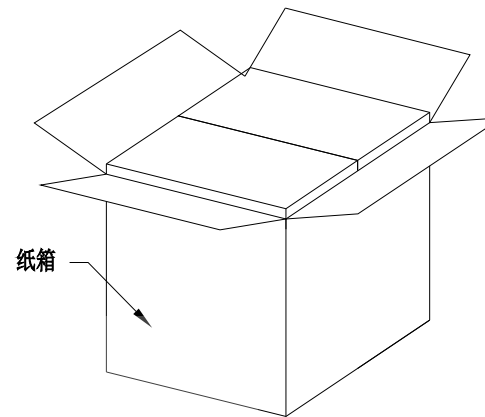
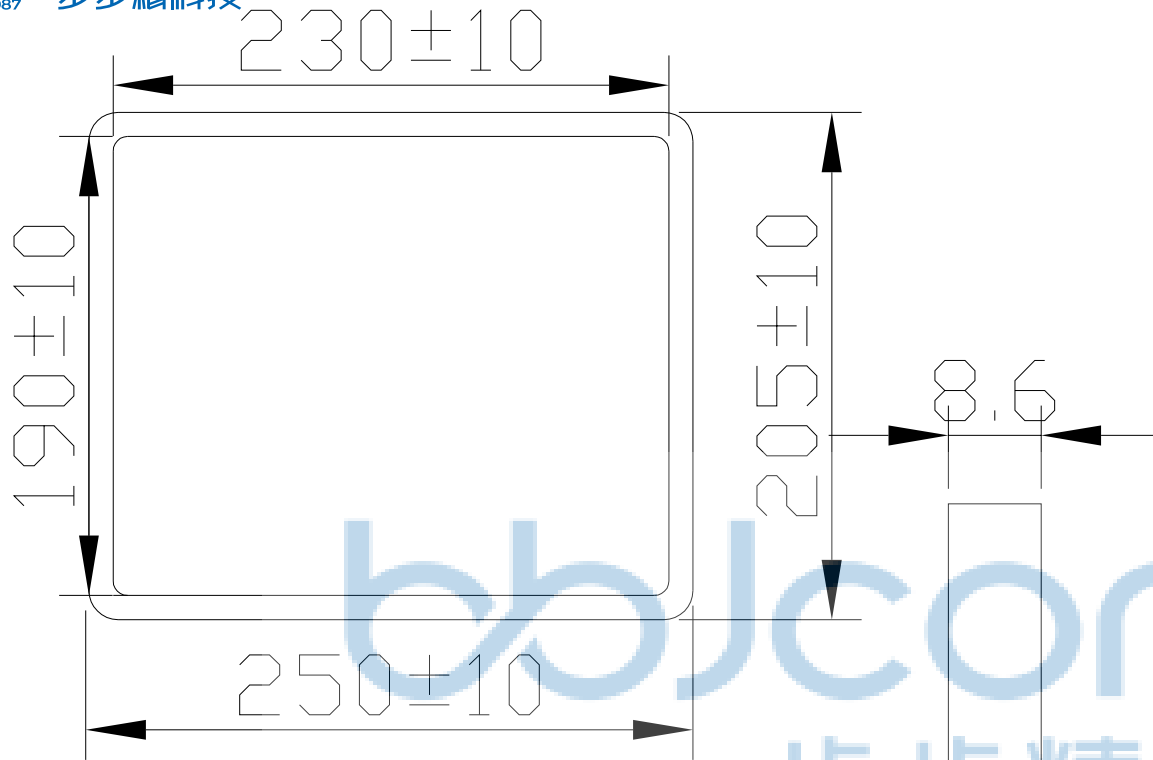
NAME: HDMI AF 19PIN 立贴式 SMT 三脚插板 H=15.00mm 带防尘盖 180度 铜壳

APPD. JM_Zheng

CHKD. LYX

DR. SGF

PJ. NO.: HD.01.51-22-K001
SIZE: A4 | DRW NO.:
FINISH: SEE NOTES | MAT'L.: SEE NOTES
SCALE: N/A | REV.: A0 | UNIT: mm | PAGE: 1/2



纸箱规格: 350*210*290

1. 包装要求:

- 1.1 每盒吸塑盒包装100 pcs;
- 1.2 每20盘放一箱, 共计2000PCS;
- 1.3 纸箱外贴上标签



THIS DOCUMENT IS THE SOLE PROPERTY OF BBJconn Technology Co.,Ltd. Corporation AND SHOULD NOT BE USED IN WHOLE OR IN PART WITHOUT PRIOR WRITTEN PERMISSION.		深圳市步步精科技有限公司 .X: ± 0.38 .XX: ± 0.25 .XXX: ± 0.13 X': $\pm 3'$.X': $\pm 2'$.XX': $\pm 1'$		NAME: HDMI AF 19PIN 立贴式 SMT 三脚插板 H=15.00mm 带防尘盖 180度 铜壳	
APPD.	JM_Zheng	PJ. NO.: HD.01.51-22-K001 SIZE: A4 DRW NO.:	FINISH: SEE NOTES	MAT'L.: SEE NOTES	
CHKD.	LYX		SCALE: N/A	REV.: A0	UNIT: mm
PDWG.NO:	0404-1	DR.	SGF		