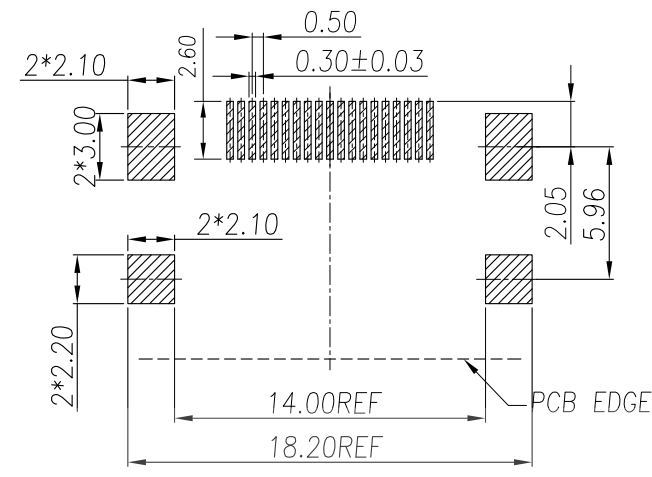
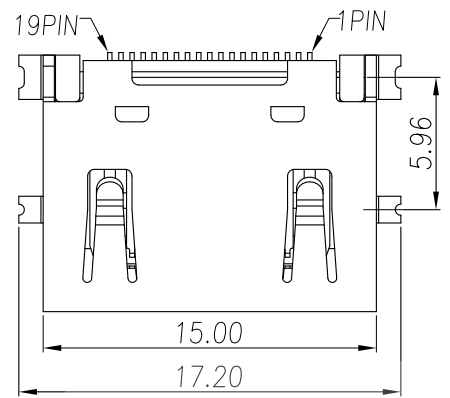
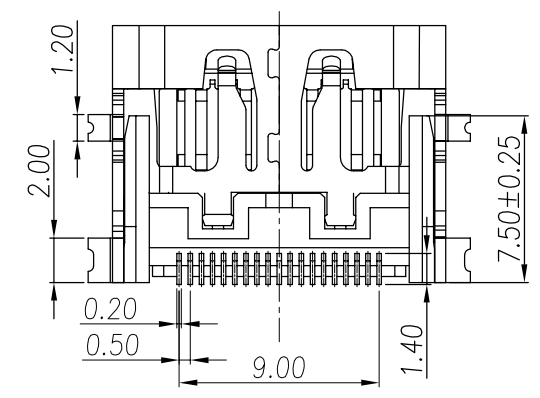
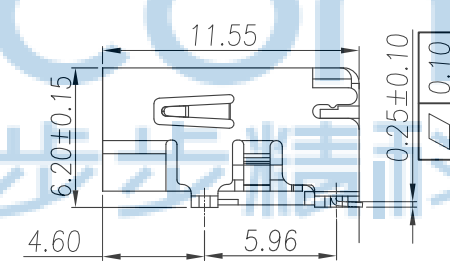
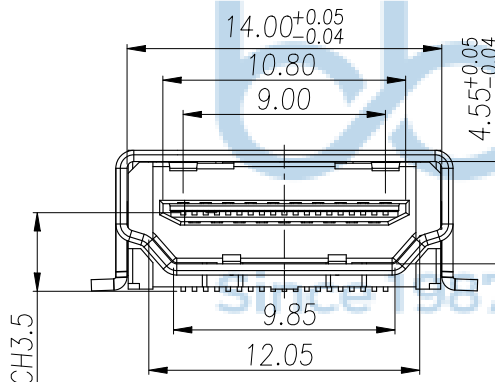


REV.	ECN NO.	CONTENT	DATE	ENGINEER
A0				



RECOMMENDED PCB LAYOUT (T:1.60mm)



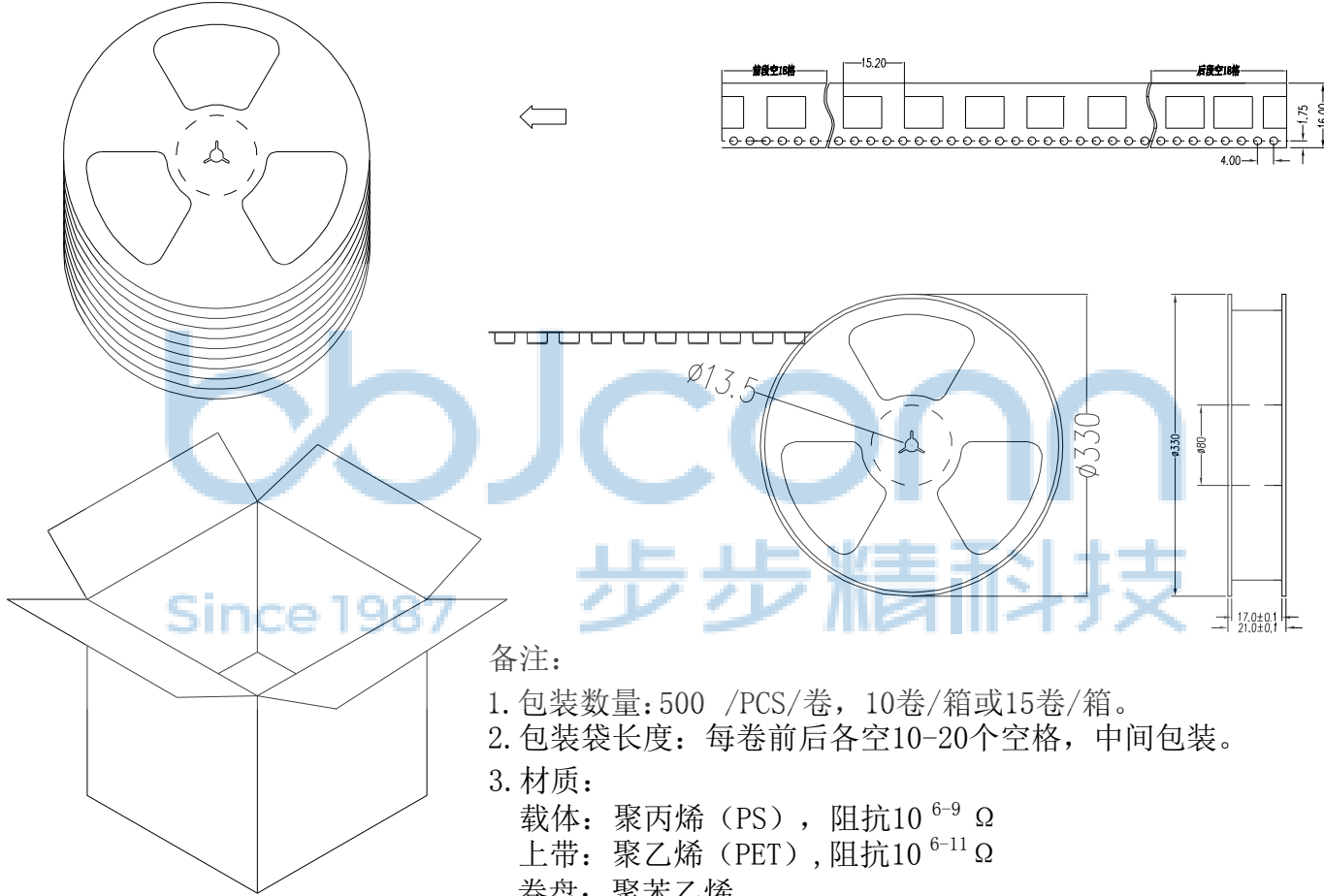
备注:

- 1) 材质:
 - 1-1 本体:LCP 94V-0 黑色
 - 1-2 端子:C2680 T=0.20mm
 - 1-3 外壳:SPCC/C2680 T=0.50mm
- 2) 镀层:
 - 2-1端子:所有面镀镍镀, 接点镀金1U", 焊脚镀锡100u"
 - 2-2外壳:镍80U"MIN
- 3) 技术规格
 - 3-1. 额定电压:40V
 - 3-2. 额定电流:0.5A
 - 3-3. 绝缘电阻:100兆欧最小
 - 3-4. 接触电阻:30豪欧最大
 - 3-5. 操作温度:-20度到85度
 - 3-6. 插入力:44.1牛最大
 - 3-7. 拔出力:9.8牛最小, 44.1牛最大
 - 3-8. 耐久:10000次



THIS DOCUMENT IS THE SOLE PROPERTY OF BBJconn Technology Co.,Ltd. Corporation AND SHOULD NOT BE USED IN WHOLE OR IN PART WITHOUT PRIOR WRITTEN PERMISSION.		深圳市步步精科技有限公司	
PDWG.NO: 0006-1	APPD. JM_Zheng	NAME: HDMI 19P 母座 90度 全贴 L=11.55 平口 LCP黑胶 铁壳	PJ. NO.: HD.01.21-14-7001 SIZE: A4 DRW NO.:
	CHKD. LYX	FINISH: SEE NOTES	MAT'L.: SEE NOTES
	DR. SGF	SCALE: N/A	REV.: A0 UNIT: mm PAGE: 1/2

REV.	ECN NO	CONTENT	DATE	ENGINEER
A0				



备注:

1. 包装数量: 500 /PCS/卷, 10卷/箱或15卷/箱。
2. 包装袋长度: 每卷前后各空10-20个空格, 中间包装。
3. 材质:
 载体: 聚丙烯 (PS), 阻抗 $10^{6-9} \Omega$
 上带: 聚乙烯 (PET), 阻抗 $10^{6-11} \Omega$
 卷盘: 聚苯乙烯。

纸箱规格: 345*345*23MM
 纸箱规格: 345*345*35MM



THIS DOCUMENT IS THE SOLE PROPERTY OF BBJconn Technology Co.,Ltd. Corporation AND SHOULD NOT BE USED IN WHOLE OR IN PART WITHOUT PRIOR WRITTEN PERMISSION.		深圳市步步精科技有限公司	
.X: ±0.38 .XX: ±0.25 .XXX: ±0.13		X': ±3" X'': ±2" X'': ±1"	
NAME:	HDMI 19P 母座 90度 全贴 L=11.55 平口 LCP黑胶 铁壳		
APPD.	JM_Zheng	PJ. NO.: HD.01.21-14-7001	
CHKD.	LYX	SIZE: A4 DRW NO.:	
PDWG.NO:	0006-1	DR.	SGF
FINISH: SEE NOTES		MAT'L.: SEE NOTES	
SCALE: N/A	REV.: A0	UNIT: mm	PAGE: 2/2