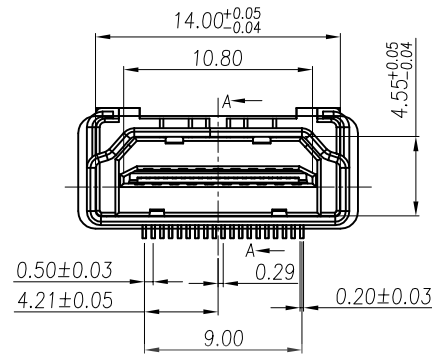
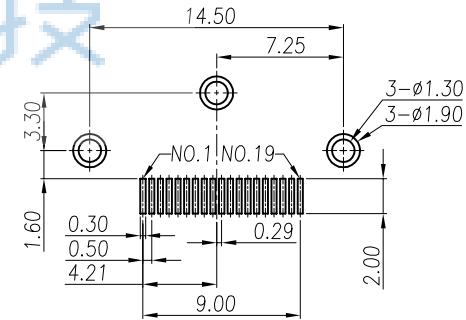
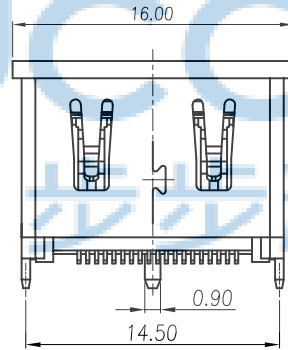
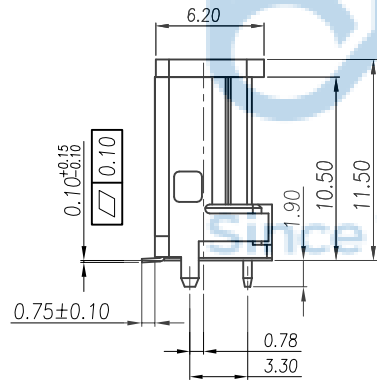


REV.	ECN NO.	CONTENT	DATE	ENGINEER
A0				

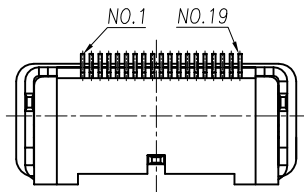


NOTES:

- 1.) MATERIAL:
 - 1-1. HOUSING AND COVER: LCP, UL 94V-0, COLOR: BLACK;
 - 1-2. CONTACT: BRASS T=0.20;
 - 1-3. SHELL: BRASS T=0.50;
 - 1-4. CAP: LCP BLACK UL 94-V0
- 2.) FINISH:
 - 2-1. CONTACT: Au PLATING ON CONTACT AREA, (SEE P/N DESCRIBING) MATTE PURE Sn 120u" Min. PLATING ON SOLDER TAILS, 50u" MIN. Ni UNDERPLATING OVERALL;
 - 2-2. SHELL: PLATING Ni 50u" MIN
- 3.) SPECIFICATIONS:
 - 3-1. VOLTAGE RATING: 40V
 - 3-2. CURRENT RATING: 0.5A
 - 3-3. INSULATION RESISTANCE: 100MEG. OHM MIN
 - 3-4. CONTACT RESISTANCE: 30 MILL. OHM MAX
 - 3-5. OPERATION TEMPERATURE: -20° TO +85°
 - 3-6. INSERT FORCE: 44.1N MAX
 - 3-7. EXTRACT FORCE: 9.8N MIN
 - 3-8. DURABILITY: 10000 CYCLES
 - 3-9. CONTACT PULL OUT FORCE: 2.99N/PIN

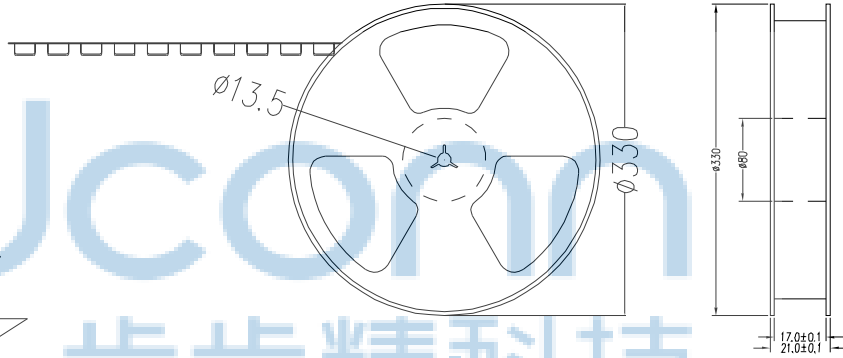
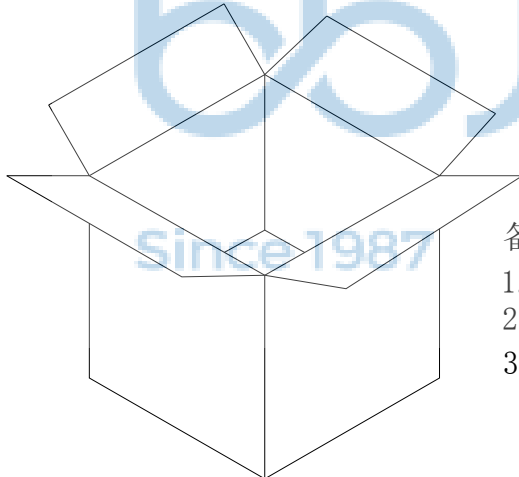
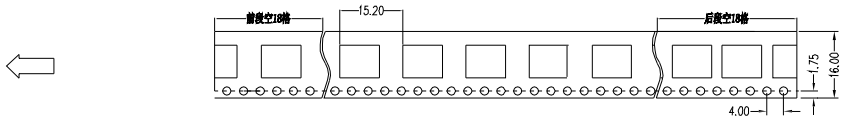
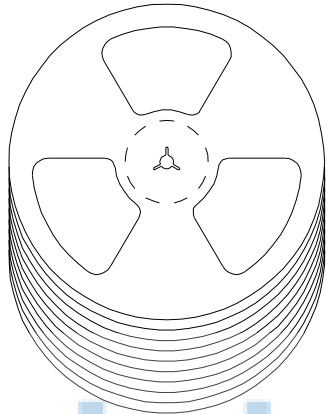


RECOMMENED P.C.B. LAYOUT(T=1.6mm)
TOLERANCES UNLESS OTHERWISE SPEC.±0.05



THIS DOCUMENT IS THE SOLE PROPERTY OF BBJconn Technology Co.,Ltd. Corporation AND SHOULD NOT BE USED IN WHOLE OR IN PART WITHOUT PRIOR WRITTEN PERMISSION.		深圳市步步精科技有限公司	
APPD.	JM_Zheng	NAME:	HDMI 19P 母座 180度 端子SMT 三脚插 H=10.50 LCP黑胶 平口 带盖 铜壳
CHKD.	LYX	PJ. NO.: HD.01.51-24-7001 SIZE: A4 DRW NO.:	
PDWG.NO:	0006-1	FINISH: SEE NOTES	MAT'L.: SEE NOTES
DR.	SGF	SCALE: N/A	REV.: A0 UNIT: mm PAGE: 1/2

REV.	ECN NO	CONTENT	DATE	ENGINEER
A0				



备注:

1. 包装数量: 300 /PCS/卷, 8卷/箱
2. 包装袋长度: 每卷前后各空10-20个空格, 中间包装。
3. 材质:
载体: 聚丙烯 (PS), 阻抗 $10^{6-9} \Omega$
上带: 聚乙烯 (PET), 阻抗 $10^{6-11} \Omega$
卷盘: 聚苯乙烯。

纸箱规格: 345*345*23MM
纸箱规格: 345*345*35MM



THIS DOCUMENT IS THE SOLE PROPERTY OF BBJconn Technology Co.,Ltd. Corporation AND SHOULD NOT BE USED IN WHOLE OR IN PART WITHOUT PRIOR WRITTEN PERMISSION.		深圳市步步精科技有限公司 .X: ±0.38 .X': ±3' .XX: ±0.25 .X'': ±2' .XXX: ±0.13 .XX': ±1'		NAME: HDMI 19P 母座 180度 端子SMT 三脚插 H=10.50 LCP黑胶 平口 带盖 铜壳	
APPD.	JM_Zheng	PJ. NO.: HD.01.51-24-7001 SIZE: A4 DRW NO.:		FINISH: SEE NOTES MAT'L.: SEE NOTES	
CHKD.	LYX	PDWG.NO: 0006-1		SCALE: N/A REV.: A0 UNIT: mm PAGE: 2/2	
DR.	SGF				