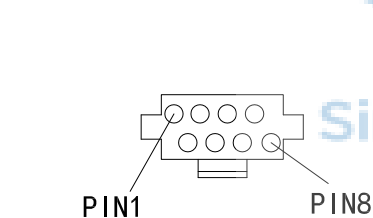
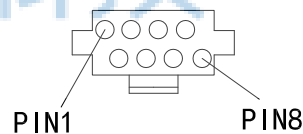


技术条件

1. 插座相邻接端间绝缘电阻
正常值不小于1000MΩ；
2. 相邻接端耐压强度，正常值
能承受AC1000V，一分钟无击穿
或飞弧现象；
3. 机械寿命不少于750次。



| P1 | P2 |
|----|---------|
| 1 | 1 RED |
| 2 | 2 GREEN |
| 3 | 3 RED |
| 4 | 4 GREEN |
| 5 | 5 RED |
| 6 | 6 GREEN |
| 7 | 7 RED |
| 8 | 8 GREEN |

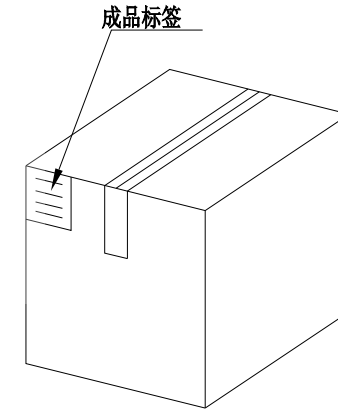
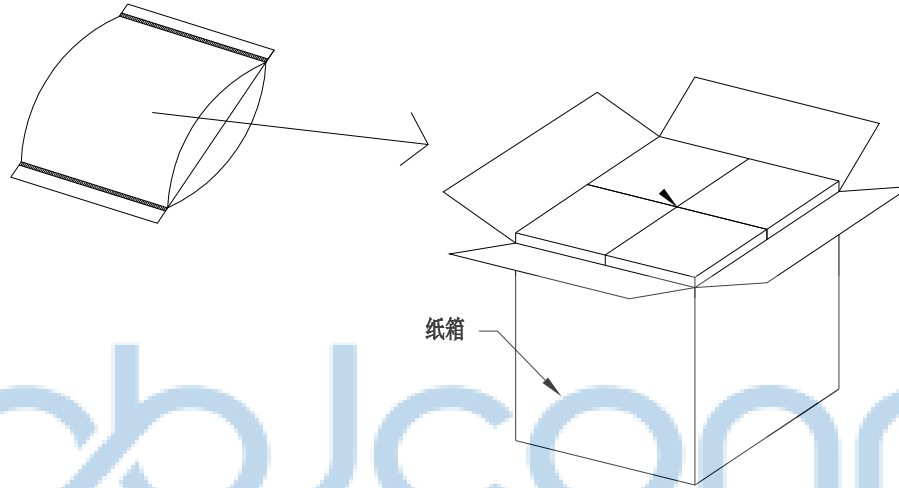


| D | 端子 | R2121 反端 | pcs | 16 |
|---------|-----------|---------------------------------|------|------|
| C | WIRE | UL #1061 26AWG L=45mm | pcs | 8 |
| B | GOLD WIRE | Ø0.46 16/18mm FU | pcs | 16 |
| A | JACK | US JACK 8P8C ABS 94V-2 COLOR BK | set | 1 |
| ITEM NO | ITEM | DESCRIPTION | UNIT | Q'TY |

| | | | | |
|---|---|-----------|-------------------------------------|----------|
| THIS DOCUMENT IS THE SOLE PROPERTY OF BBJconn Technology Co.,Ltd. Corporation AND SHOULD NOT BE USED IN WHOLE OR IN PART WITHOUT PRIOR WRITTEN PERMISSION. PDWG.NO: 0457-1 | 深圳市步步精科技有限公司 | | NAME: | |
| | .X: ±0.38 | .X': ±3' | 网络接口 4001插座 8P8C 直通 不带滤波 无灯 全塑 (带线) | |
| | .XX: ±0.25 | .X'': ±2' | APPD. | JM_Zheng |
| | .XXX: ±0.13 | .XX': ±1' | CHKD. | LYX |
| | PJ. NO.: RJ.04.12-12-9001 SIZE: A4 DRW NO.: FINISH: SEE NOTES MAT'L.: SEE NOTES SCALE: N/A REV.: A0 UNIT: mm PAGE: 1/2 | | DR. | SGF |

| REV. | ECN NO | CONTENT | DATE | ENGINEER |
|------|--------|-----------------|------|----------|
| A0 | | Initial release | / | SGF |

PE袋规格:***X*** (以实际出货为准)



1. 包装要求:
- 1.1 每PE袋包装 100 pcs;
 - 1.2 每1袋放一小纸盒;
 - 1.3 每20个小纸盒放一个纸箱, 共计2000PCS
 - 1.4 纸箱外贴上标签



| | | | |
|--|----------|--|--|
| THIS DOCUMENT IS THE SOLE PROPERTY OF BBJconn Technology Co.,Ltd. Corporation AND SHOULD NOT BE USED IN WHOLE OR IN PART WITHOUT PRIOR WRITTEN PERMISSION. | | 深圳市步步精科技有限公司 .X: ±0.38 X': ±3" .XX: ±0.25 .X": ±2" .XXX: ±0.13 .XX": ±1" | |
| APPD. | JM_Zheng | NAME: 网络接口 4001插座 8P8C 直通 不带滤波 无灯 全塑 (带线) | |
| CHKD. | LYX | PJ. NO.: RJ.04.12-12-9001 | |
| DR. | SGF | SIZE: A4 DRW NO.: | |
| PDWG.NO: | 0457-1 | FINISH: SEE NOTES MAT'L.: SEE NOTES | |
| | | SCALE: N/A REV.: A0 UNIT: mm PAGE: 2/2 | |