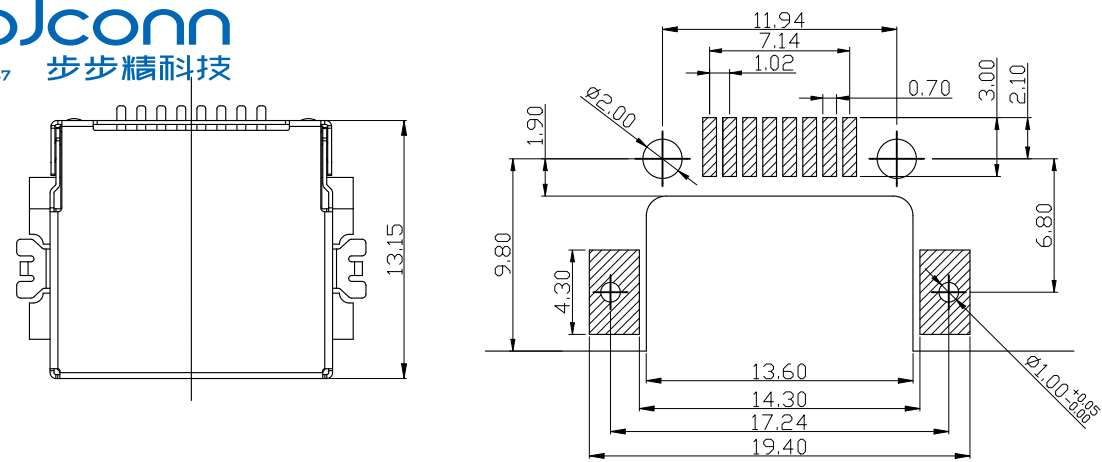


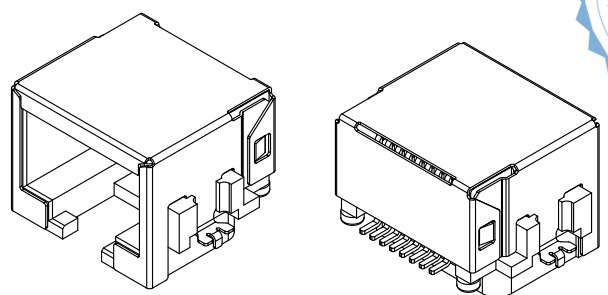
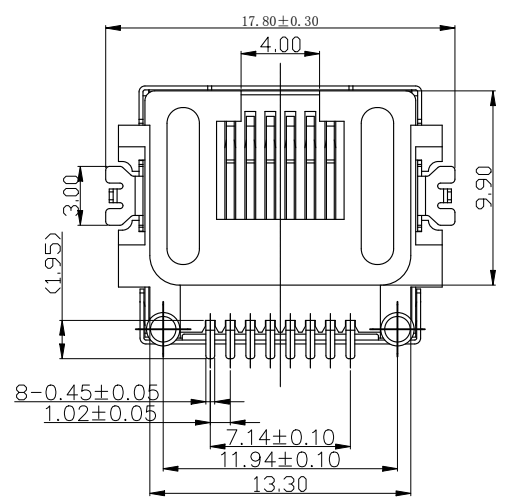
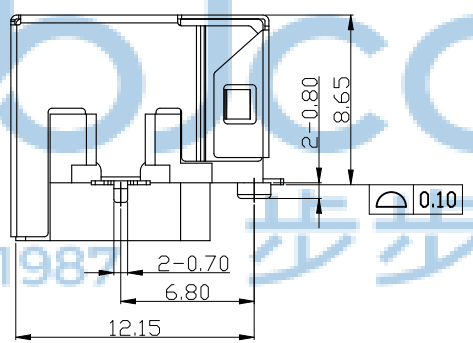
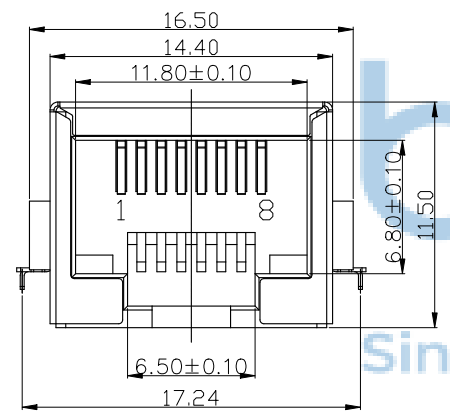
REV.	ECN NO.	CONTENT	DATE	ENGINEER
A0				

NOTES:

- MATERIAL**
CONTACTS: COPPER ALLOY
SHELL: COPPER ALLOY
HOUSING: HIGH TEMPERATURE RESISTANT PLASTIC, UL94 V-0.
- ELECTRICAL PERFORMANCE**
CONTACT RESISTANCE: 40MΩ MAX
CONTACT CURRENT RATING: 1.5 AMPERES
DIELECTRIC WITHSTAND VOLTAGE, 150V R. M. S
INSULATION RESISTANCE: 500MΩ MIN
OPERATING TEMPERATURE: -40° C~+85° C.
- MECHANICAL PERFORMANCE**
DURABILITY: 500 CYCLES.
- PLATING SPECIFICATION:**
CONTACTS: GOLD PLATED ON CONTACT AREA, Sn ON SOLDER AREA, NICKEL UNDERPLATED.
SHELL: 50u"MIN BRIGHT NICKEL PLATING OVER ALL, NICKEL MUST BE SOLDRABILITY.



RECOMMENDED P.C.B. LAYOUT
GENERAL TOLERANCE: ±0.05



PIN	Name	Description
1	TX+	Tranceive Data+(发信+)
2	TX-	Tranceive Data-(发信-)
3	RX+	Receive Data+(收信+)
4	N/C	Not connected(空脚)
5	N/C	Not connected(空脚)
6	RX-	Receive Data-(收信-)
7	N/C	Not connected(空脚)
8	N/C	Not connected(空脚)

THIS DOCUMENT IS THE SOLE PROPERTY OF BBJconn Technology Co., Ltd. Corporation AND SHOULD NOT BE USED IN WHOLE OR IN PART WITHOUT PRIOR WRITTEN PERMISSION.

PDWG.NO: 0100-2 DR. LYX

深圳市步步精科技有限公司

NAME: 网络接口 RJ45 1x1 8P8C 90度 L=13.15 沉板8.6 无灯 无弹 全包 带柱 SMT

PJ. NO.: RJ.03.22-11-5001

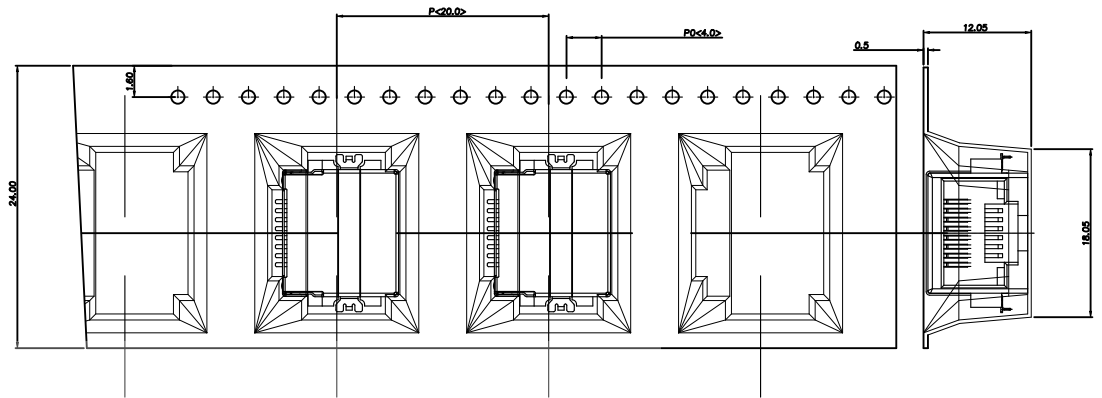
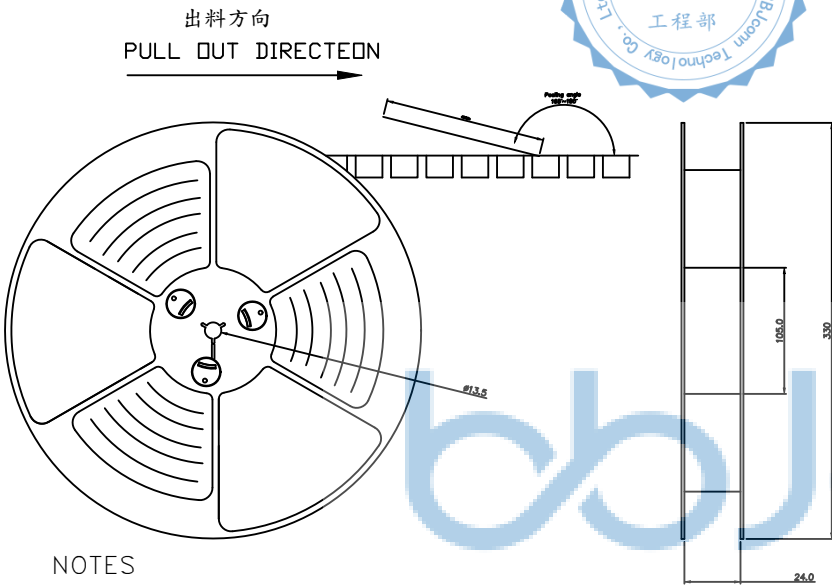
SIZE: A4 DRW NO.:

FINISH: SEE NOTES MAT'L.: SEE NOTES

SCALE: N/A REV.: A0 UNIT: mm PAGE: 1/2

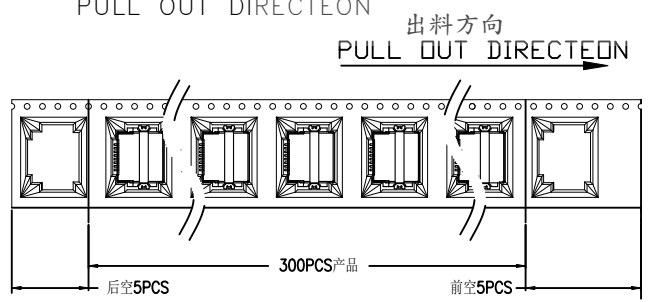


REV.	ECN NO.	CONTENT	DATE	ENGINEER
A0				

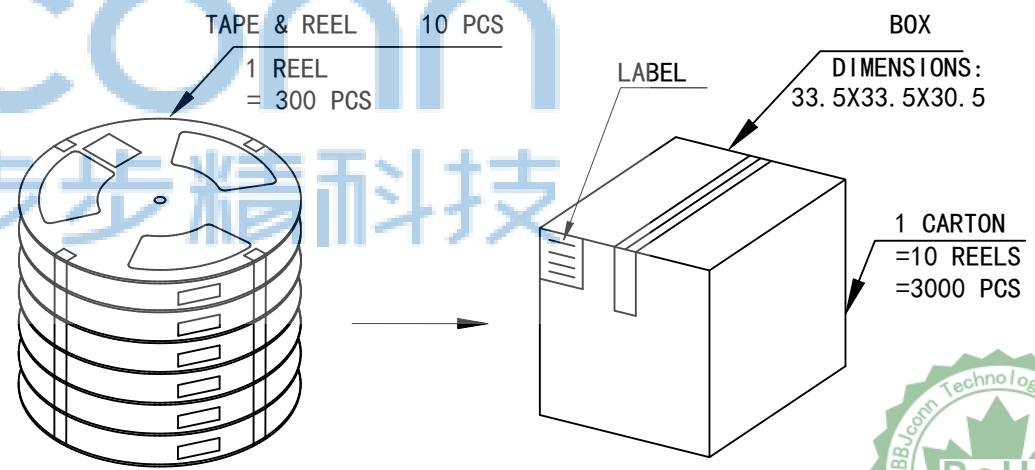


NOTES

1. 帶子引導長度
LEAD TAPE LENGTH
出料方向
PULL OUT DIRECTEON



2. 上帶 剝力力為 : 0.1~1.3N(10.2gf~130gf)
PEELING OFF FORCE OF TOP TAPE: 0.1~1.3N(10.2gf~130gf)
出貨'運輸過程中一定注意 :
THIS REQUIREMENT SHOULD BE APPLIED AT SHIPMENT :
卷帶在運輸過程中不能散開
PEELING OFF SHOULD NOT BE ALLOWED DURING TRANSPORTATION



THIS DOCUMENT IS THE SOLE PROPERTY OF BBJconn Technology Co., Ltd. Corporation AND SHOULD NOT BE USED IN WHOLE OR IN PART WITHOUT PRIOR WRITTEN PERMISSION.		深圳市步步精科技有限公司 .X: ±0.38 X*: ±3° .XX: ±0.25 .X*: ±2° .XXX: ±0.13 .XX*: ±1°		NAME: 网络接口 RJ45 1x1 8P8C 90度 L=13.15 沉板8.6 无灯 无弹 全包 带柱 SMT		
APPD.	JM_Zheng	P.J. NO.: RJ.03.22-11-5001 SIZE: A4 DRW NO.:	FINISH: SEE NOTES MAT'L.: SEE NOTES			
CHKD.	TSP		SCALE: N/A	REV.: A0	UNIT: mm	PAGE: 2/2
PDWG. NO:	0100-2	DR.	LYX			