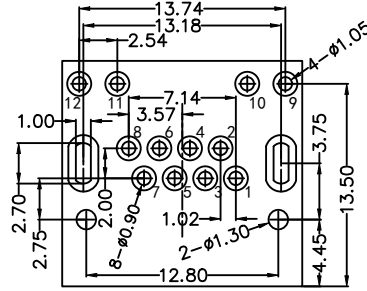
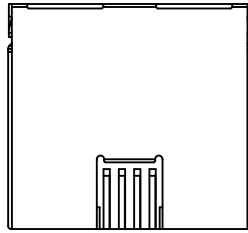


REV.	ECN NO	CONTENT	DATE	ENGINEER
AO			2023 20/04	



RECOMMENDED PCB LAYOUT
VIEWED FROM COMPONENT SIDE



MATERIAL:

HOUSING: LCP,UL94V-0, BLACK.
TERMINAL: PHOSPHOR BRONZE Ø=0.46MM, G/FU" GOLD PLATING.
SHIELD: C2680,T=0.20MM,20 MIN NICKEL PLATING ON ALL AREA.

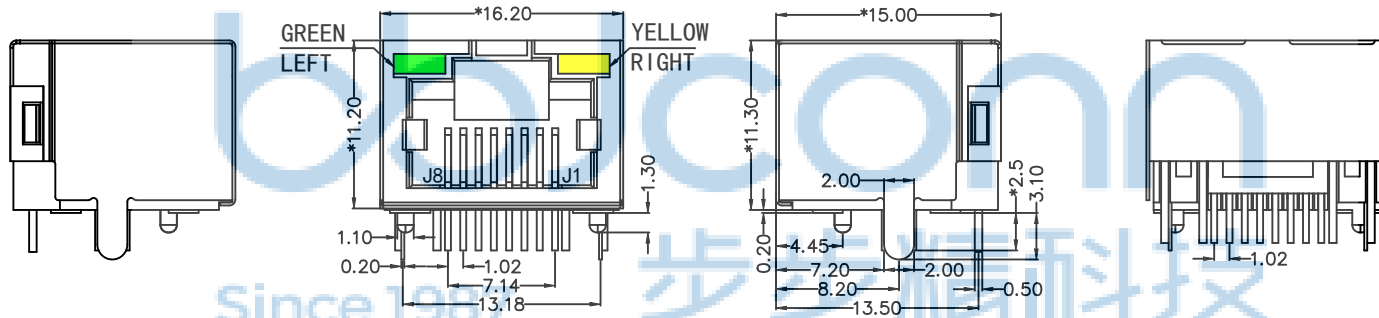
MECHANICAL:

DURABILITY: 750 CYCLES MIN,12.5MM/MINUTE.
INSERTION FORCE: 2.2KG.F MAX.
RETENTION STRENGTH : 7.7KG.F BETWEEN JACK AND PLUG.
OPERATING TEMPERATURE: -40℃~+85℃.
STORAGE TEMPERATURE: -40℃~+85℃.
ALL CRITICAL DIMENSIONS WITH "*"

ELECTRICAL:

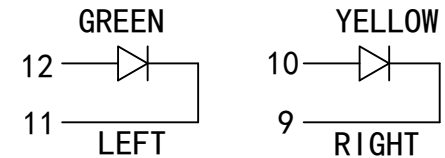
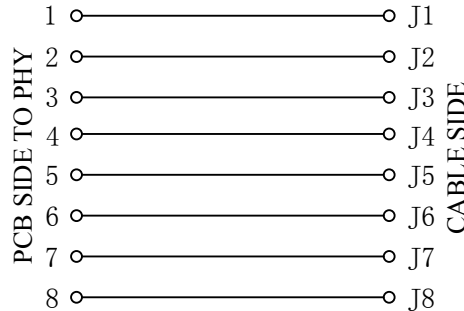
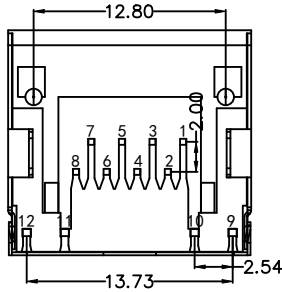
VOLTAGE: 125 VOLTS AC.
CURRENT RATING : 1.5AMP.
DIELECTRIC STRENGTH: 1000 VAC RMS 50HZ OR 60HZ,1 MIN.
INSULATION RESISTANCE: 500 MEGA OHMS MIN. INITIAL AFTER 500V DC FOR 1 MINUTE.

CONTACT RESISTANCE: SINGLE TERMINAL 30 MILLIOHMS MAX.
INITIAL 50 MILLIOHMS MAX. AFTER DURABILITY TEST.

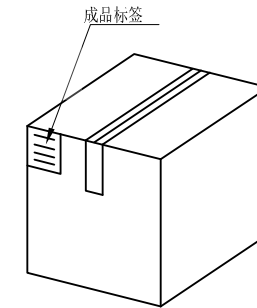
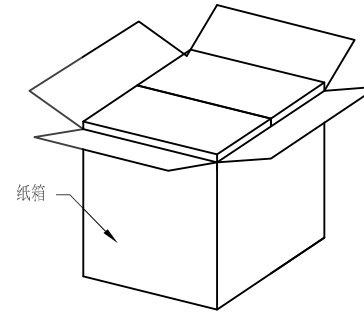
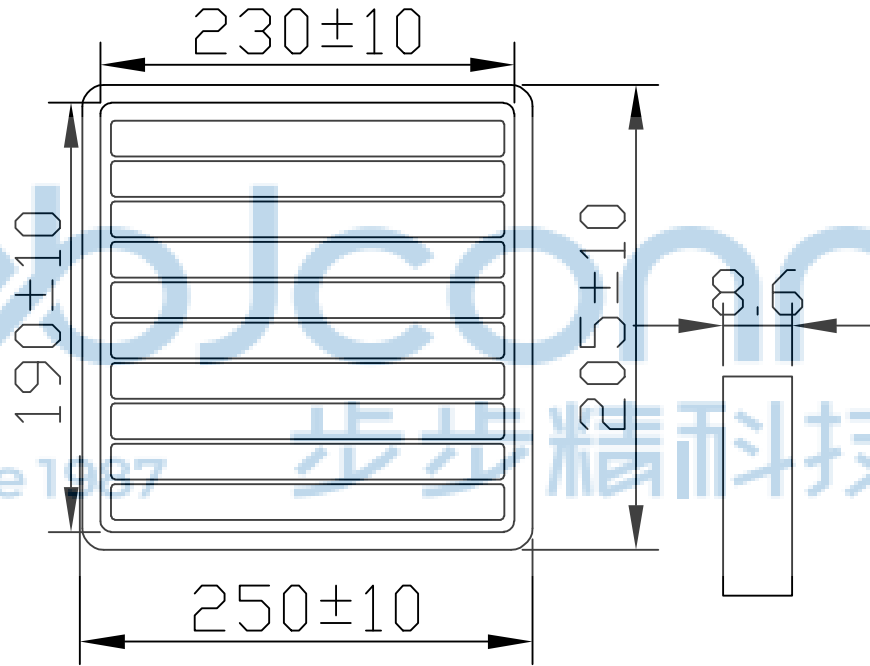


LED Specification

Standard LED Color	LED Wavelength	Foward(A)	Foward(V)
Green	568nm	20mA	1.85-2.45V
Yellow	585nm	20mA	1.7-2.2V



THIS DOCUMENT IS THE SOLE PROPERTY OF BBJconn Technology Co.,Ltd. Corporation AND SHOULD NOT BE USED IN WHOLE OR IN PART WITHOUT PRIOR WRITTEN PERMISSION. PDWG,NO: 0521-1	深圳市步步精科技有限公司		NAME: 网络接口 RJ45 1x1 8P8C 90度 L=15.0 H=11.30 带灯 (左绿右黄) 无弹 不带滤波 全包 DIP	
	.X: ±0.38 .XX: ±0.25 .XXX: ±0.13	X': ±3" .X': ±2" .XX': ±1"	APPD. JM_Zheng 23/05'02	PJ. NO.: RJ.01.22-21-A012
	CHKD. LYX 23/05'02	DR. LHC 23/05'02	SIZE: A4 DRW NO.:	MAT'L.: SEE NOTES
	FINISH: SEE NOTES		SCALE: N/A	REV.: AO UNIT: mm PAGE: 1/2



纸箱规格: 350*210*290

1. 包装要求:

- 1.1 每盒吸塑盒包装150 pcs;
- 1.2 每 12 盘放一箱, 共计 1800 PCS;
- 1.3 纸箱外贴上标签



THIS DOCUMENT IS THE SOLE PROPERTY OF BBJconn Technology Co.,Ltd. Corporation AND SHOULD NOT BE USED IN WHOLE OR IN PART WITHOUT PRIOR WRITTEN PERMISSION.		深圳市步步精科技有限公司	
PDWG.NO: 0521-1		APPD. JM_Zheng 23/05'02 CHKD. LYX 23/05'02 DR. LHC 23/05'02	NAME: 网络接口 RJ45 1x1 8P8C 90度 L=15.0 H=11.30 带灯 (左绿右黄) 无弹 不带滤波 全包 DIP PJ. NO.: RJ.01.22-21-A012 SIZE: A4 DRW NO.: FINISH: SEE NOTES MAT'L.: SEE NOTES SCALE: N/A REV.: A0 UNIT: mm PAGE: 2/2