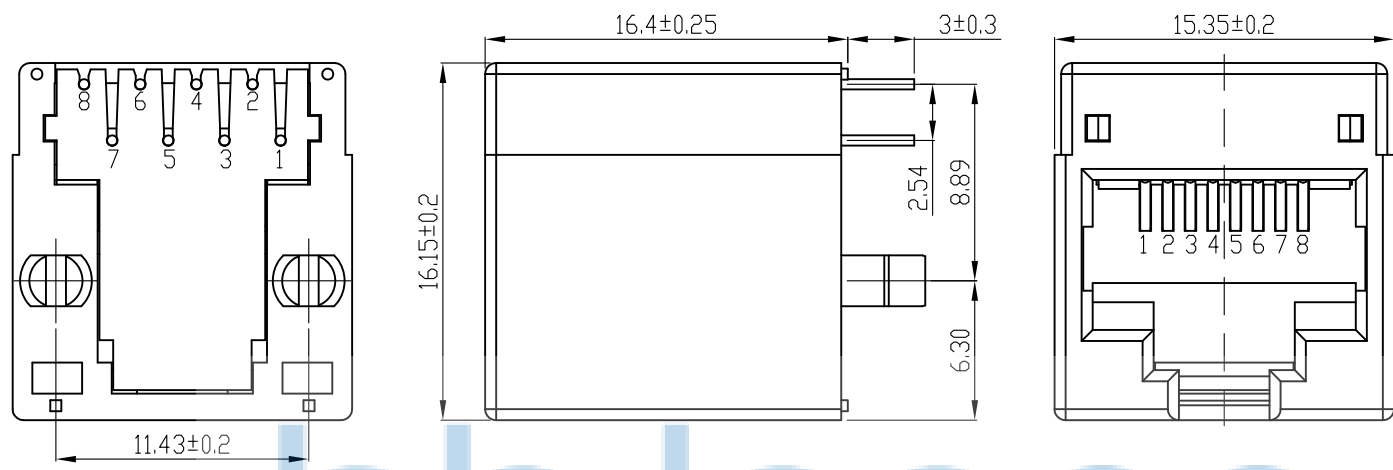
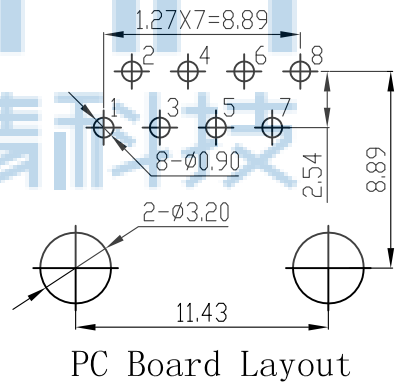
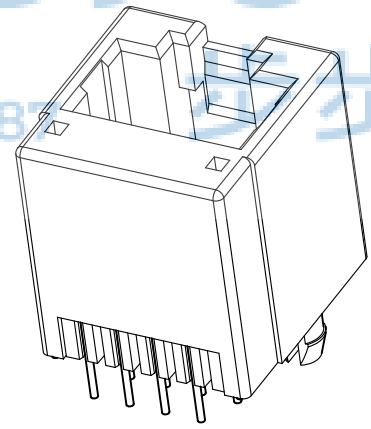
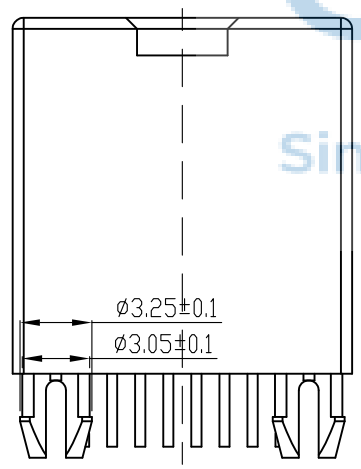



| REV. | ECN NO | CONTENT | DATE | ENGINEER |
|------|--------|-----------------|------|----------|
| A0 | | Initial release | / | SGF |

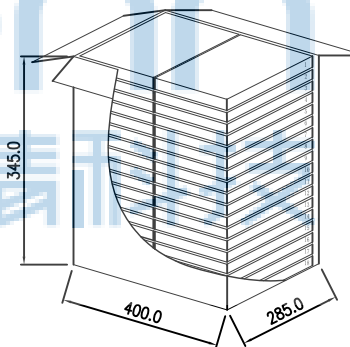
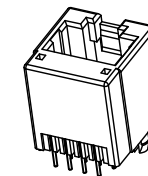
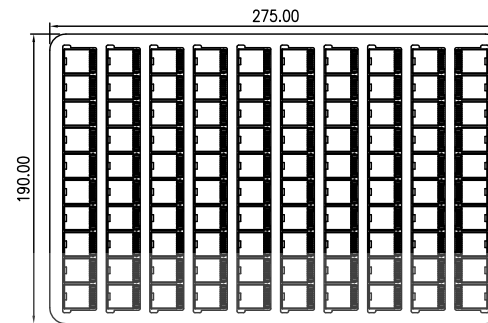
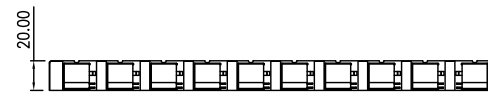
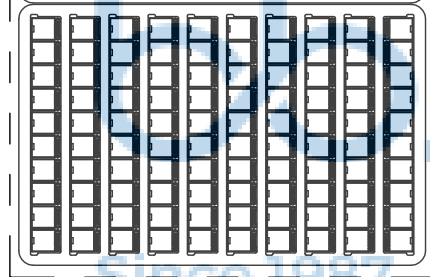
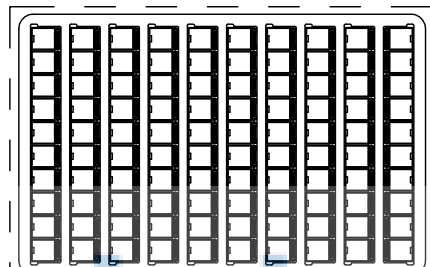
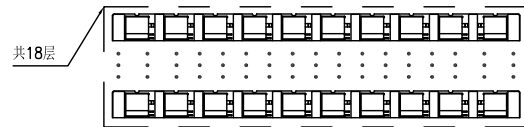


- NOTES:
- ELECTRICAL:
- VOLTAGE RATING: 125V AC.
 - CURRENT RATING: 1.5A.
 - CONTACT RESISTANCE: 30 mΩ MAX.
 - INSULATION RESISTANCE: 500 MΩ MIN @ 500V DC.
 - DIELECTRIC STRENGTH: 1000V AC 50Hz or 60Hz, 1MIN.
- MECHANICAL:
- INSERT MATERIAL: UL94V-0.
 - CONTACT MATERIAL: DIAMETER 0.46mm C51000(QSn4-0.3)PHOSPHOR BRONZE GOLD PLATING OVER NICKEL.
 - MATING/UNMATING FORCE: 2.2KG.F MAX.
 - RETENTION STRENGTH: 5.0KG.F MIN BETWEEN JACK AND PLUG.
 - OPERATING LIFE: 750 CYCLES MIN.
- ENVIRONMENTAL:
- STORAGE: -40°C ~ +85°C RELATIVE HUMIDITY<70%.
 - OPERATION: -40°C ~ +85°C.



| | | | |
|--|----------|---|--|
| THIS DOCUMENT IS THE SOLE PROPERTY OF BBJconn Technology Co.,Ltd. Corporation AND SHOULD NOT BE USED IN WHOLE OR IN PART WITHOUT PRIOR WRITTEN PERMISSION. | |  深圳市步步精科技有限公司 | |
| .X: ±0.38 .XX: ±0.25 .XXX: ±0.13 | | X': ±3" .X': ±2" .XX': ±1" | |
| APPD. | JM_Zheng | NAME: RJ45 180度 5224 1X1 8P8C H=16.4 全塑 无灯 无弹 圆针FU | |
| CHKD. | LYX | PJ. NO.: RJ.02.12-11-8001 | |
| PDWG.NO: | 0385-2 | SIZE: A4 DRW NO.: | |
| DR. | SGF | FINISH: SEE NOTES MAT'L.: SEE NOTES | |
| | | SCALE: N/A REV.: A0 UNIT: mm PAGE: 1/2 | |

| | | | | |
|------|---------|-----------------|------|----------|
| REV. | ECN NO. | CONTENT | DATE | ENGINEER |
| A0 | | Initial release | / | SGF |



| | | | | |
|-------|------|-------|-------------|-------------|
| Q'TY | 100 | PCS/盒 | 产品单重/g | 4.0 |
| | 36 | 盒/箱 | 净重 (NW) /kg | 14.4 |
| | 3600 | PCS/箱 | 毛重 (GW) /kg | 17.3 |
| 吸塑盒型号 | A14 | | 尺寸 | 275*190*20 |
| 纸箱型号 | A24 | | 尺寸 | 400*285*345 |

| | | | | | |
|--|----------|---|-----|--|----------|
| THIS DOCUMENT IS THE SOLE PROPERTY OF BBJconn Technology Co.,Ltd. Corporation AND SHOULD NOT BE USED IN WHOLE OR IN PART WITHOUT PRIOR WRITTEN PERMISSION. | | 深圳市步步精科技有限公司 .X: ±0.38 .X': ±3" .XX: ±0.25 .X": ±2" .XXX: ±0.13 .XX': ±1" | | NAME: RJ45 180度 5224 1X1 8P8C H=16.4 全塑 无灯 无弹 圆针FU | |
| APPD. | JM_Zheng | PJ. NO.: RJ.02.12-11-8001 SIZE: A4 DRW NO.: | | FINISH: SEE NOTES MAT'L.: SEE NOTES | |
| CHKD. | LYX | SCALE: N/A | | REV.: A0 | UNIT: mm |
| PDWG.NO: | 0385-2 | DR. | SGF | PAGE: | 2/2 |