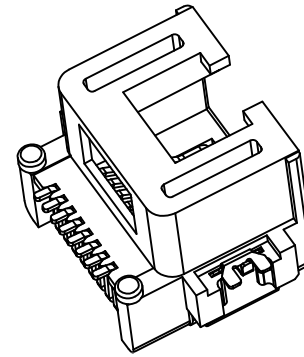
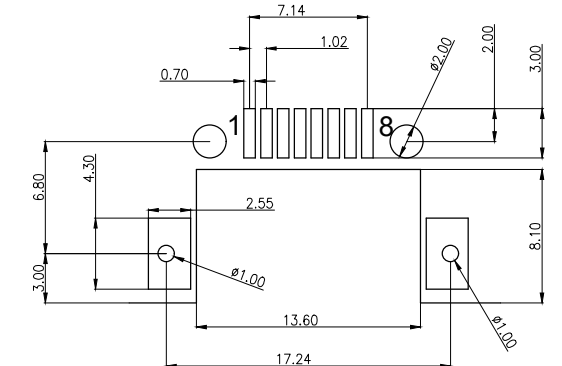
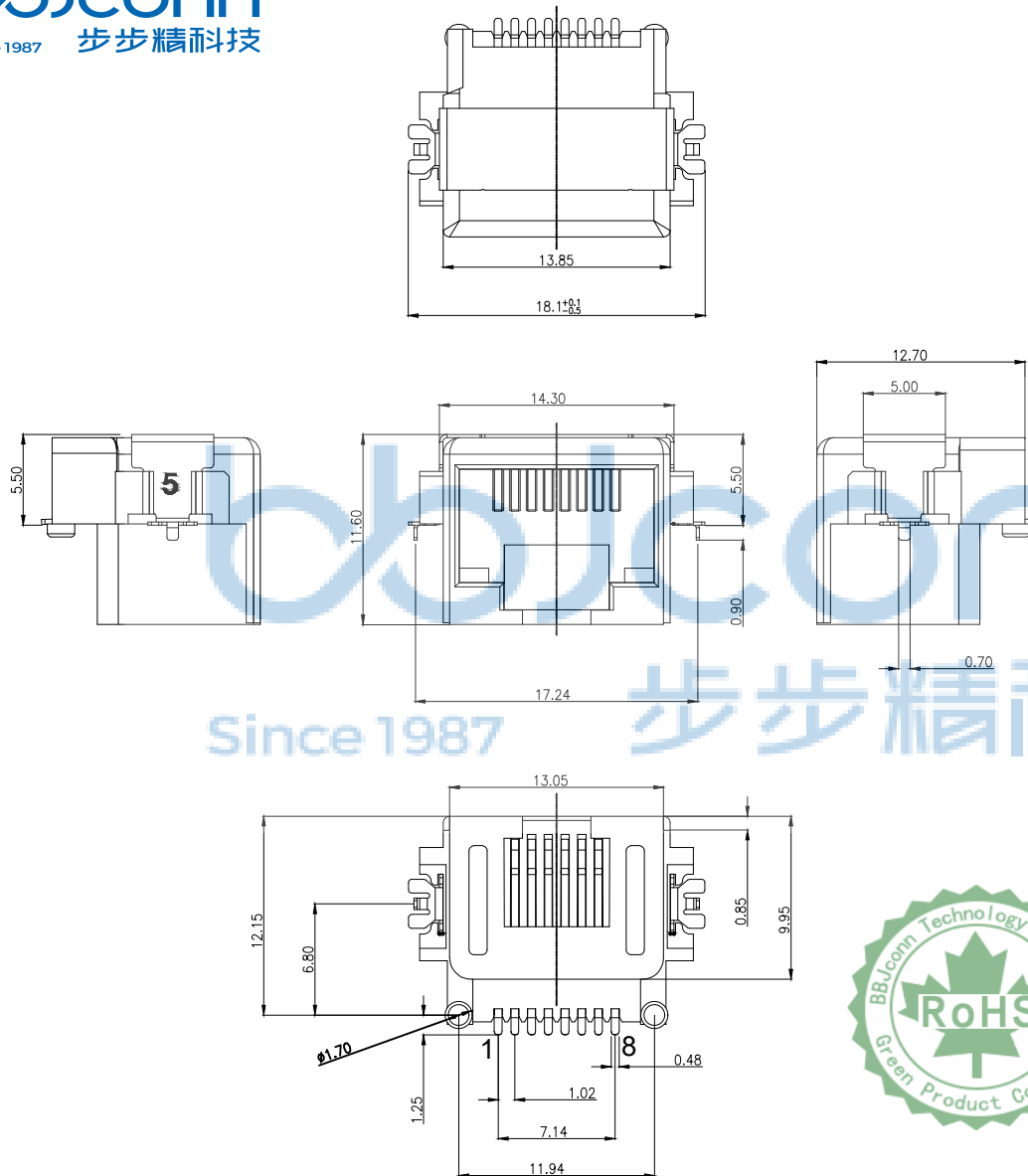


REV.	ECN NO.	CONTENT	DATE	ENGINEER
A0		Initial release	/	SGF



- ELECTRICAL**
- 1. VOLTAGE RATING : 125 VAC RMS.
 - 2. CURRENT RATING : 1.5 AMP.
 - 3. CONTACT RESISTANCE : 40 MILLIOHMS MAX.
 - 4. INSULATION RESISTANCE : 500 MEGOHMS MIN @ 100V DC
 - 5. DIELECTRIC DIELECTRIC RESISTANCE : 500V DC RMS 50Hz. 1MIN.
- MECHANICAL**
- 1. DURRABILITY : 750 CYCLES MIN.
 - 2. MATING/UNMATING FORCE : 2.24 KG.F MAX.
- ENVIRONMENTAL:**
- 1. STORAGE : -40°C ~ +85°C.
 - 2. OPERATION : -40°C ~ +85°C.



PCBLAYOUT TOP VIEW
TOL ±0.05



MATERIAL LIST:

No.	PART NAME	QTY	MATERIAL	REMARK
3	SHELL	1	C2680	NICKEL PLATED
2	TERMINAL	08	C5191,T=0.30MM	AU/NI PLATED
1	HOUSING	1	PA9T BLACK	(UL94V-0)

THIS DOCUMENT IS THE SOLE PROPERTY OF BBJconn Technology Co.,Ltd. Corporation AND SHOULD NOT BE USED IN WHOLE OR IN PART WITHOUT PRIOR WRITTEN PERMISSION.

PDWG.NO: 0409-1

DR. SGF

APPD. JM_Zheng

CHKD. LYX

NAME: 深圳市步步精科技有限公司

网络接口 RJ45 1x1 8P8C 沉板 5.5 L=11.60 铜壳 SMT

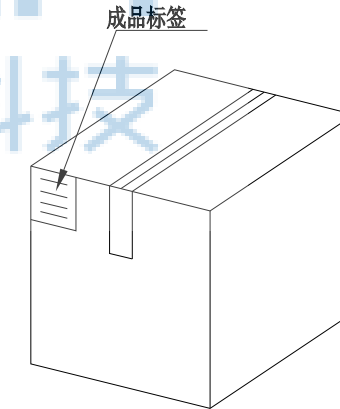
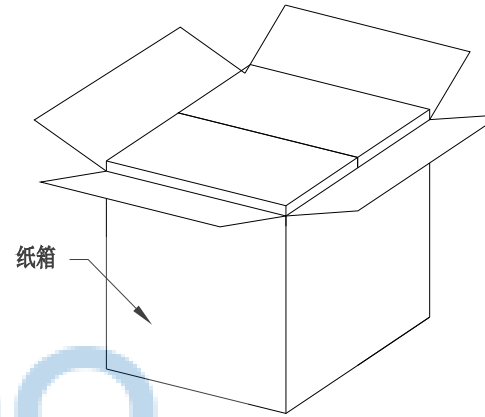
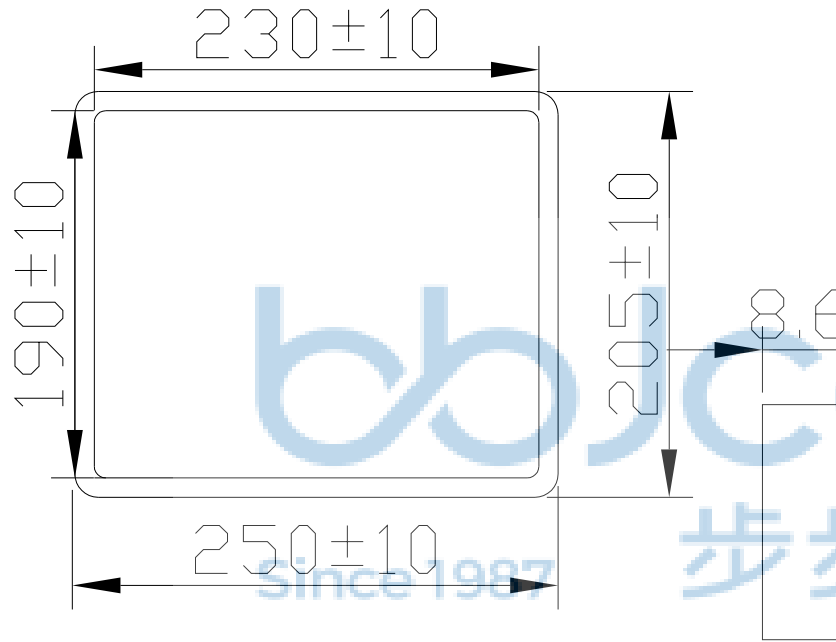
PJ. NO.: RJ.03.22-11-A003

SIZE: A4 | DRW NO.:

FINISH: SEE NOTES | MAT'L.: SEE NOTES

SCALE: N/A | REV.: A0 | UNIT: mm | PAGE: 1/2

REV.	ECN NO	CONTENT	DATE	ENGINEER
A0		Initial release	/	SGF



1. 包装要求:
- 1.1 每盒吸塑盒包装100pcs;
 - 1.2 每20盘放一箱, 共计2000PCS;
 - 1.3 纸箱外贴上标签

纸箱规格: 350*210*290

THIS DOCUMENT IS THE SOLE PROPERTY OF BBJconn Technology Co.,Ltd. Corporation AND SHOULD NOT BE USED IN WHOLE OR IN PART WITHOUT PRIOR WRITTEN PERMISSION.		深圳市步步精科技有限公司 工程部 APPROVED		深圳市步步精科技有限公司 NAME: 网络接口 RJ45 1x1 8P8C 沉板5.5 L=11.60 铜壳 SMT PJ. NO.: RJ.03.22-11-A003 SIZE: A4 DRW NO.: FINISH: SEE NOTES MAT'L.: SEE NOTES SCALE: N/A REV.: A0 UNIT: mm PAGE: 2/2	
.X: ±0.38	.XX: ±0.25	.X': ±3"	.X'': ±2"	APPD.	JM_Zheng
.XXX: ±0.13	.XX': ±1"	CHKD.	LYX	DR.	SGF
PDWG.NO: 0409-1					