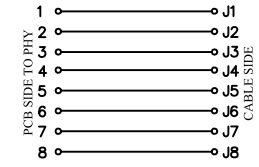
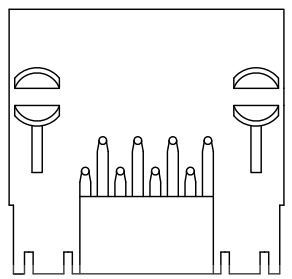
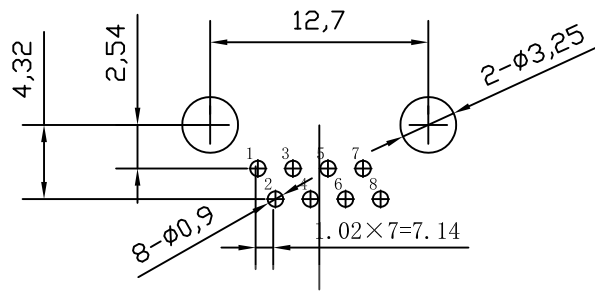


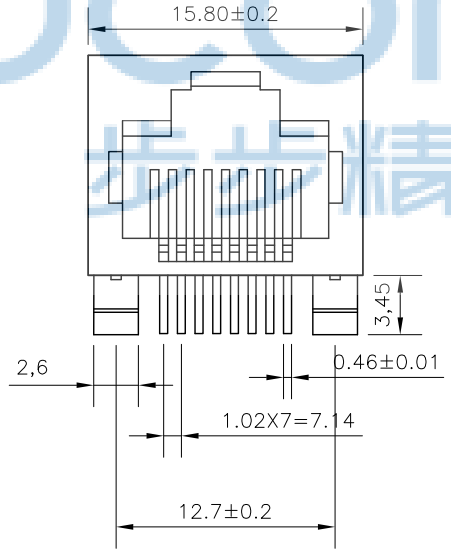
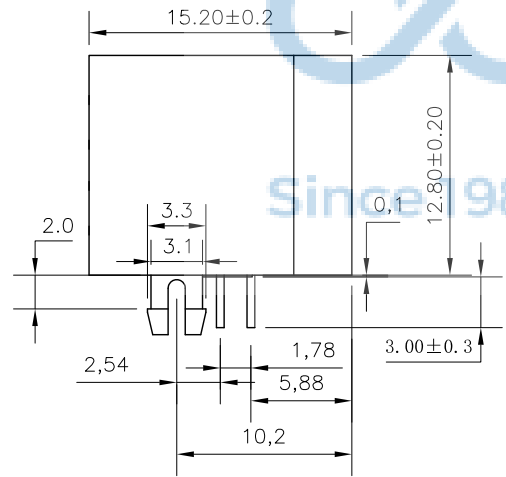
REV.	ECN NO	CONTENT	DATE	ENGINEER
A0		Initial release	/	SGF



**MATERIAL:**  
HOUSING: PA46, BLACK.  
TERMINAL: PHOSPHOR BRONZE Ø0.46MM  
G/FU\*GOLD PLATING

**MACHANICAL:**  
DURABILITY: 750 CYCLES MIN. 12.5MM/MINUTE.  
INSERTION FORCE: 2.2KG.F MAX.  
RETENTION STRENGTH : 7.7KG.F BETWEEN JACK AND PLUG.  
OPERATING TEMPERATURE: -40 °C~+85 °C.  
STORAGE TEMPERATURE: -40°C~+85°C.  
ALL CRITICAL DIMENSIONS WITH "8"

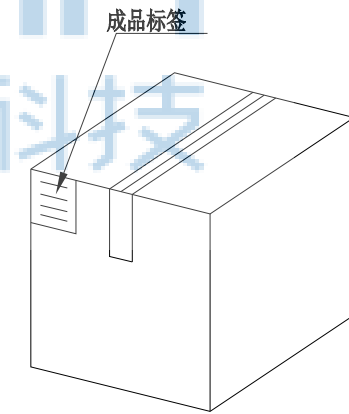
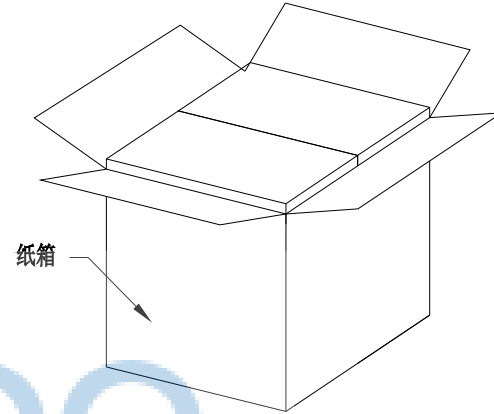
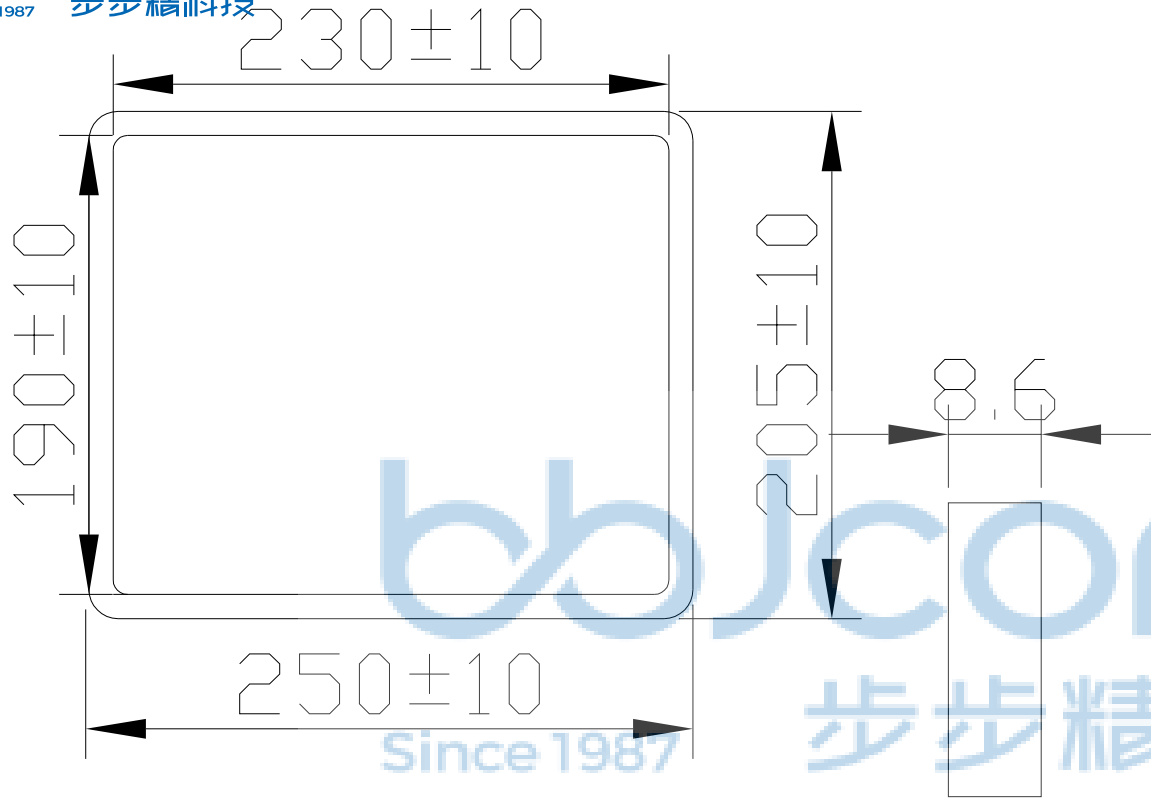
VOLTAGE: 125 VOLTS AC.  
CURRENT RATING : 1.5AMP.  
DIELECTRIC STRENGTH: 1000 VAC RMS 50HZ OR 60HZ, 1MIN.  
INSULATION RESISTANCE: 500 MEGA OHMS MIN. INITIAL  
AFTER 500V DC FOR 1 MINUTE.  
CONTACT RESISTANCE: SINGLE TERMINAL 30 MILLIOHMS MAX.  
INITIAL 50 MILLIOHMS MAX. AFTER  
DURABILITY TEST.



THIS DOCUMENT IS THE SOLE PROPERTY OF BBJconn Technology Co.,Ltd. Corporation AND SHOULD NOT BE USED IN WHOLE OR IN PART WITHOUT PRIOR WRITTEN PERMISSION.		.X: ±0.38 .XX: ±0.25 .XXX: ±0.13		X': ±3' .X': ±2' .XX': ±1'		NAME: 网络接口 RJ45 1X1 8P8C 90度 L=15.20 无灯 无弹 全塑	
APPD.	JM_Zheng	PJ. NO.:		RJ.01.12-11-1001			
CHKD.	LYX	SIZE: A4		DRW NO.:			
PDWG.NO:	0067-1	DR.	SGF	FINISH: SEE NOTES		MAT'L.: SEE NOTES	
				SCALE: N/A	REV.: A0	UNIT: mm	PAGE: 1/2

**深圳市步步精科技有限公司**

REV.	ECN NO	CONTENT	DATE	ENGINEER
A0		Initial release	/	SGF



1. 包装要求:
- 1.1 每盒吸塑盒包装100 pcs;
  - 1.2 每20盘放一箱, 共计2000PCS;
  - 1.3 纸箱外贴上标签

纸箱规格: 350\*210\*290

THIS DOCUMENT IS THE SOLE PROPERTY OF BBJconn Technology Co.,Ltd. Corporation AND SHOULD NOT BE USED IN WHOLE OR IN PART WITHOUT PRIOR WRITTEN PERMISSION.		深圳市步步精科技有限公司 .X: $\pm 0.38$ .XX: $\pm 0.25$ .XXX: $\pm 0.13$ X': $\pm 3'$ .X': $\pm 2'$ .XX': $\pm 1'$		NAME: 网络接口 RJ45 1X1 8P8C 90度 L=15.20 无灯 无弹 全塑	
APPD.	JM_Zheng	PJ. NO.: RJ.01.12-11-1001 SIZE: A4   DRW NO.:		FINISH: SEE NOTES   MAT'L.: SEE NOTES	
CHKD.	LYX	SCALE: N/A		REV.: A0	UNIT: mm
PDWG.NO:	0067-1	DR.	SGF	PAGE: 2/2	