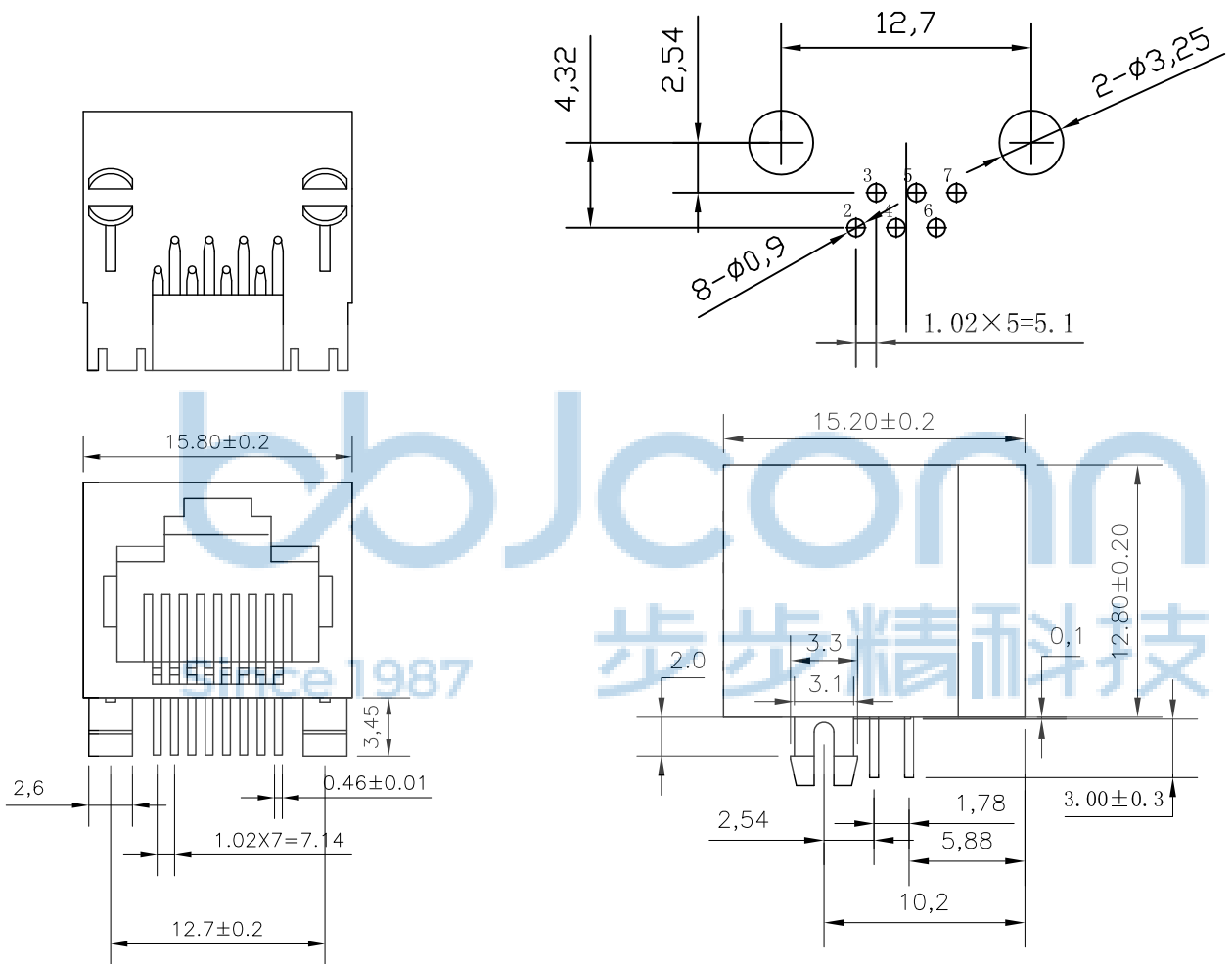


REV.	ECN NO	CONTENT	DATE	ENGINEER
A0		Initial release	/	SGF



MATERIAL:
HOUSING: PA46, BLACK.
TERMINAL: PHOSPHOR BRONZE Ø0.46MM
6/FU*GOLD PLATING

SHIELD: C2680, T=0.20MM, 20 MIN NICKEL PLATING
NO ALL AREA

MECHANICAL:
DURABILITY: 750 CYCLES MIN, 12.5MM/MINUTE.
INSERTION FORCE: 2.2KG.F MAX.
RETENTION STRENGTH: 7.7KG.F BETWEEN JACK AND PLUG
OPERATING TEMPERATURE: -40 °C~+85 °C.
STORAGE TEMPERATURE: -40°C~+85°C.
ALL CRITICAL DIMENSIONS WITH "*"

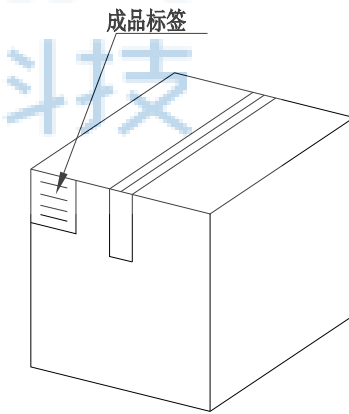
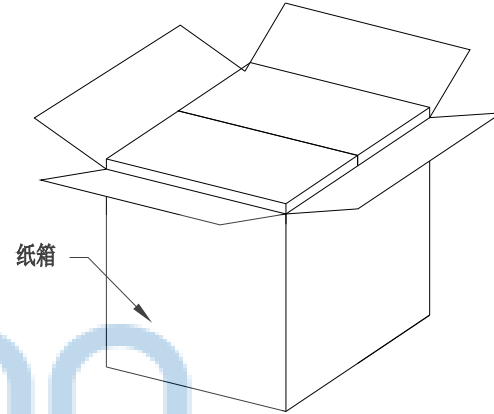
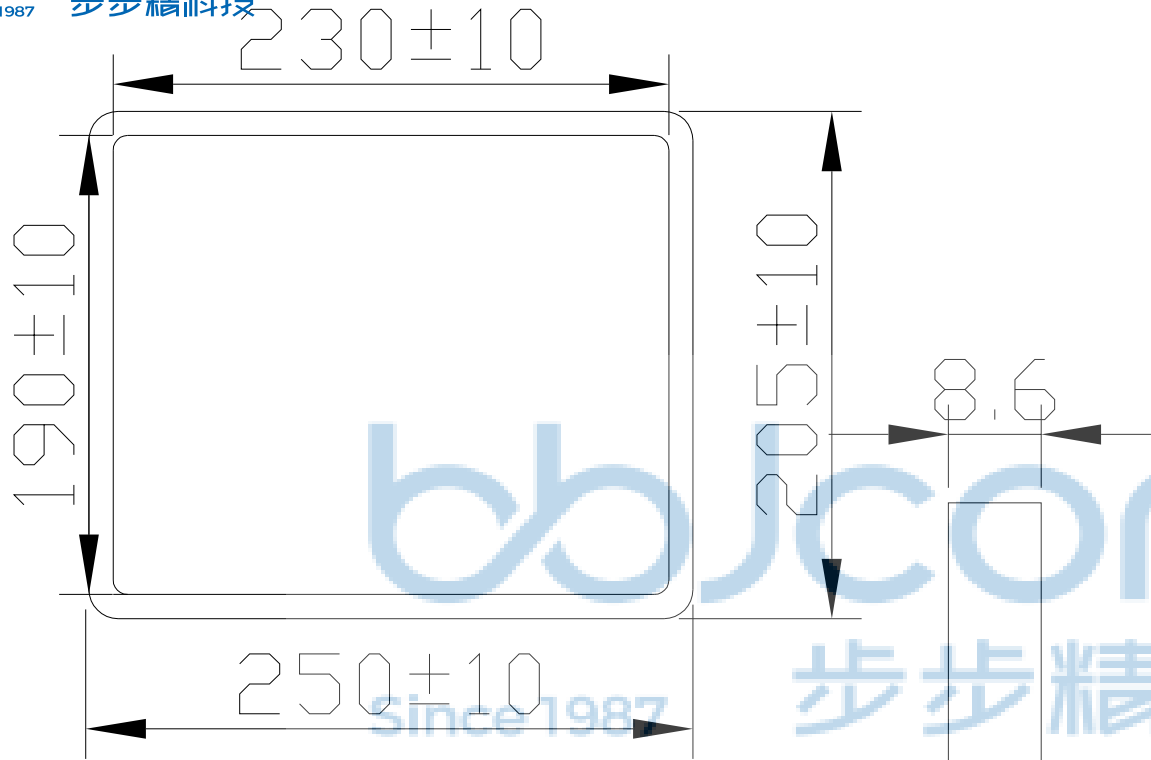
ELECTRICAL:
VOLTAGE: 125 VOLTS AC.
CURRENT RATING : 1.5AMP.
DIELECTRIC STRENGTH : 1000 VAC RMS 50HZ OR 60HZ, 1 MIN.
INSULATION RESISTANCE: 500 MEGA OHMS MIN. INITIAL
AFTER 500V DC FOR 1 MINUTE.
CONTACT RESISTANCE: SINGLE TERMINAL 30 MILLIOHMS MAX.
INITIAL 50 MILLIOHMS MAX. AFTER DURABILITY TEST.

- 1 ○ ○ J1
 - 2 ○ ○ J2
 - 3 ○ ○ J3
 - 4 ○ ○ J4
 - 5 ○ ○ J5
 - 6 ○ ○ J6
 - 7 ○ ○ J7
 - 8 ○ ○ J8
- PCB SIDE TO PHY
CABLE SIDE



THIS DOCUMENT IS THE SOLE PROPERTY OF BBJconn Technology Co., Ltd. Corporation AND SHOULD NOT BE USED IN WHOLE OR IN PART WITHOUT PRIOR WRITTEN PERMISSION.		深圳市步步精科技有限公司	
PDWG.NO: 0067-1		NAME: RJ 56 -8P6C-1X1无灯全塑	
APPD.	JM_Zheng	PJ. NO.: RJ.01.12-11-1008	
CHKD.	LYX	SIZE: A4 DRW NO.:	
DR.	SGF	FINISH: SEE NOTES MAT'L.: SEE NOTES	
		SCALE: N/A	REV.: A0
		UNIT: mm	PAGE: 1/2

REV.	ECN NO	CONTENT	DATE	ENGINEER
A0		Initial release	/	SGF



纸箱规格: 350*210*290

1. 包装要求:
- 1.1 每盒吸塑盒包装100pcs;
 - 1.2 每20盘放一箱, 共计2000PCS;
 - 1.3 纸箱外贴上标签

THIS DOCUMENT IS THE SOLE PROPERTY OF BBJconn Technology Co.,Ltd. Corporation AND SHOULD NOT BE USED IN WHOLE OR IN PART WITHOUT PRIOR WRITTEN PERMISSION.		深圳市步步精科技有限公司 .X: ±0.38 .X': ±3" .XX: ±0.25 .X'': ±2" .XXX: ±0.13 .XX': ±1"		NAME: RJ 56 -8P6C-1X1无灯全塑	
APPD.	JM_Zheng	PJ. NO.: RJ.01.12-11-1008 SIZE: A4 DRW NO.:		FINISH: SEE NOTES MAT'L.: SEE NOTES	
CHKD.	LYX	SCALE: N/A		REV.: A0	UNIT: mm
PDWG.NO:	0067-1	DR.	SGF	PAGE: 2/2	