

REV.	ECN NO.	CONTENT	DATE	ENGINEER
A0		Initial release	/	TSP

NOTES:

1. MATERIAL:

- 1). HOUSING MATERIAL: THERMOPLASTIC UL94V-0
- 2). CONTACT MATERIAL: COPPER ALLOY
- 3). SHELL MATERIAL: STAINLESS STEEL

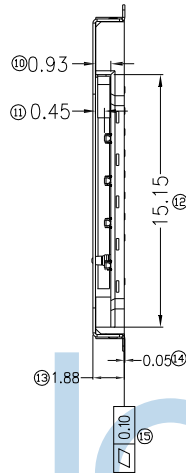
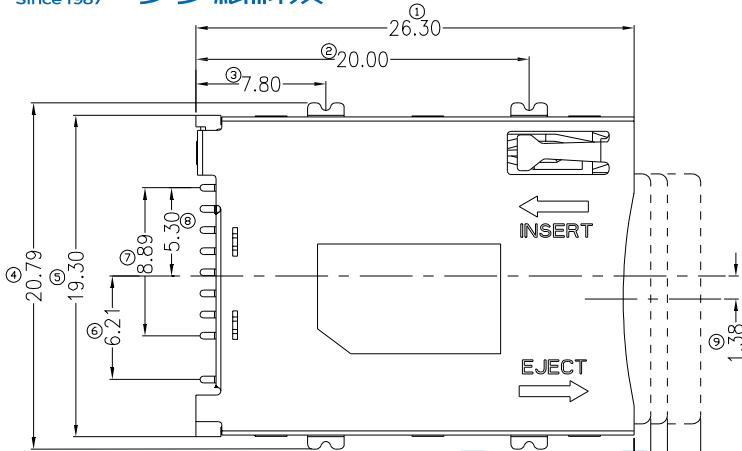
2. FINISH:

- 1). CONTACT FINISH: NICKEL UNDER PLATED, PLATED Au ON CONTACT AREA ; PLATED GOLD PLATED ON SOLDER AREA.

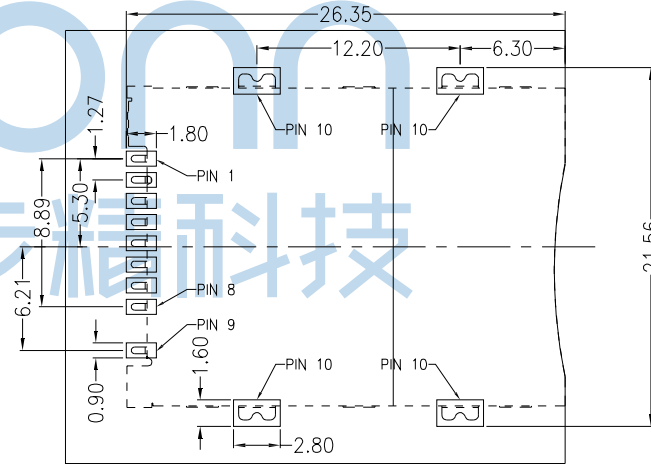
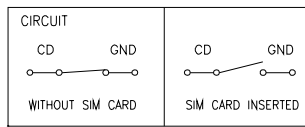
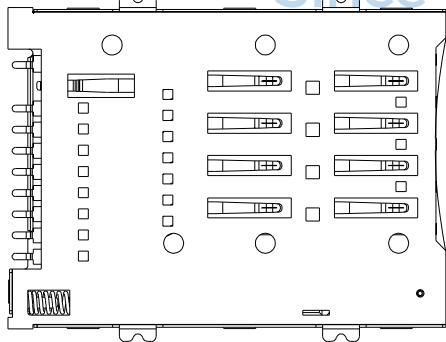
3. ELECTRICAL SPECIFICATIONS:

- 1). VOLTAGE RATING: 12V AC
- 2). CURRENT: 0.5 AMPERES MAX.
- 3). OPERATION TEMPERATURE RANGE: -25°C ~ +85°C
- 4). CONTACT RESISTANCE: 100mΩ MAX.
- 5). INSULATION RESISTANCE: 1000MΩ MIN.
- 6). DIELECTRIC WITHSTANDING VOLTAGE: 500V INITIAL AND 250 V/FINAL FOR 1 MINUTE.

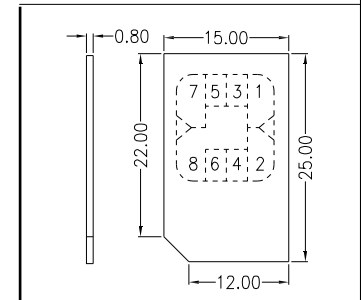
Lead free and ROHS compliant product



- ① (1.00) LOCATION OF CARD PUSHED
- ② (2.00) LOCATION OF CARD LOCK
- ③ (6.00) LOCATION OF CARD EJECTED



RECOMMENDED P. C. B HOLE LAYOUT  
COMPONENT SIDE VIEW (TOLERANCE: +/-0.05)



PIN NO.	NAME
PIN 1	VCC
PIN 2	GND
PIN 3	RST
PIN 4	VPP
PIN 5	CLK
PIN 6	I/O
PIN 7	DATO
PIN 8	MCMD
PIN 9	CARD DETECT Switch
PIN 10	GND



THIS DOCUMENT IS THE SOLE PROPERTY OF BBJconn Technology Co., Ltd. CORPORATION AND SHOULD NOT BE USED IN WHOLE OR IN PART WITHOUT PRIOR WRITTEN PERMISSION.  
PDWG. NO: 0361-1

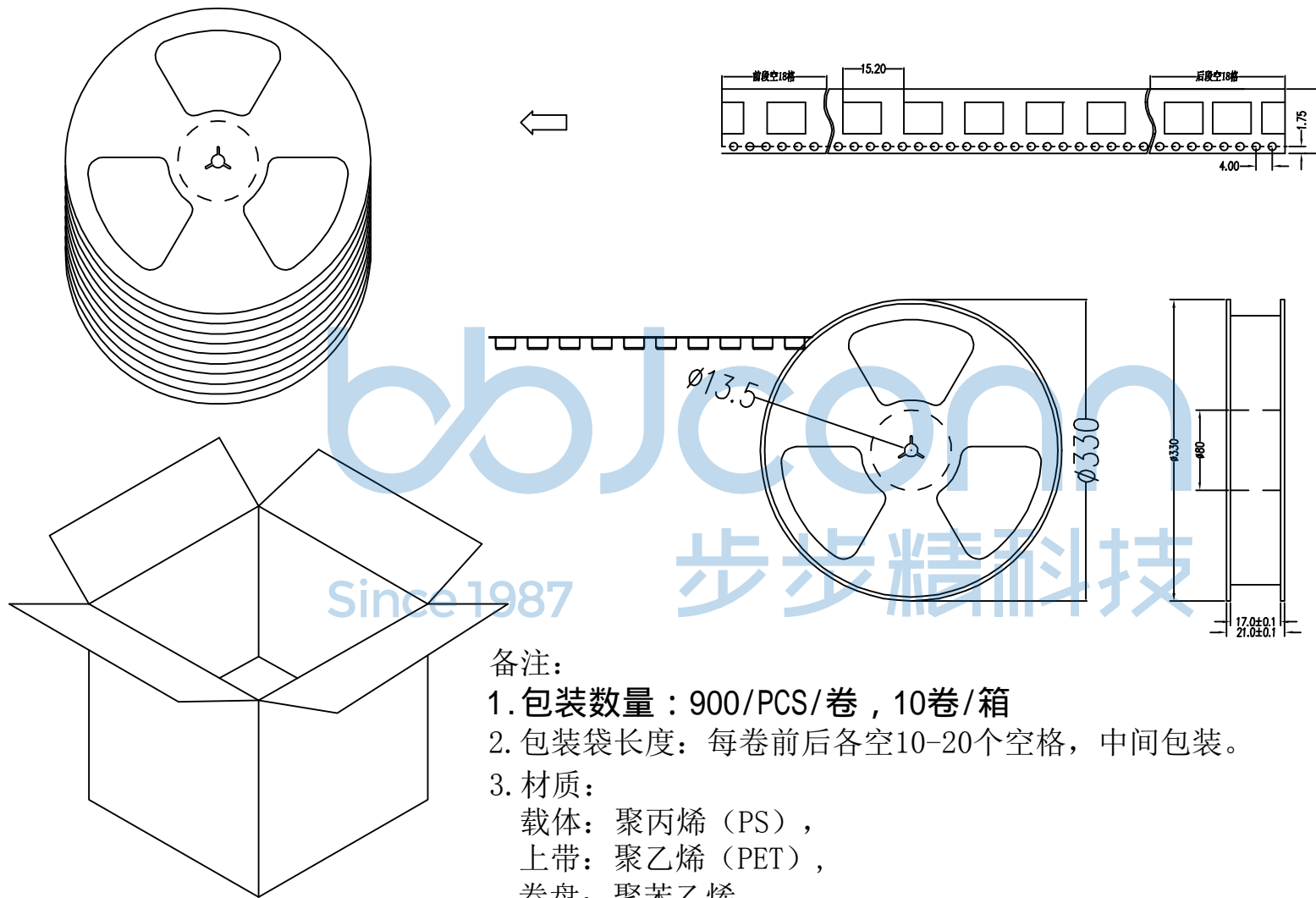
**深圳市步步精科技有限公司**

NAME: 卡座 SIM CARD 8P PUSH PUSH H=1.9  
贴片 无柱 冷封编带

APPD. JM\_Zheng  
CHKD. LYX  
DR. TSP

PJ. NO.: CD.02.02-11-0001  
SIZE: A4 DRW NO.:  
FINISH: SEE NOTES MAT'L.: SEE NOTES  
SCALE: N/A REV.: A0 UNIT: mm PAGE: 1/2

REV.	ECN NO	CONTENT	DATE	ENGINEER
A0		Initial release	/	TSP



备注:

1. 包装数量：900/PCS/卷，10卷/箱
2. 包装袋长度：每卷前后各空10-20个空格，中间包装。
3. 材质：  
载体：聚丙烯（PS），  
上带：聚乙烯（PET），  
卷盘：聚苯乙烯。

纸箱规格：345\*345\*23MM

纸箱规格：345\*345\*35MM

THIS DOCUMENT IS THE SOLE PROPERTY OF BBJconn Technology Co.,Ltd. Corporation AND SHOULD NOT BE USED IN WHOLE OR IN PART WITHOUT PRIOR WRITTEN PERMISSION.		<b>深圳市步步精科技有限公司</b>	
.X: ±0.38 .XX: ±0.25 .XXX: ±0.13		X': ±3' .X': ±2' .XX': ±1'	
APPD.	JM_Zheng	NAME: 卡座 SIM CARD 8P PUSH PUSH H=1.9 贴片 无柱 冷封编带	
CHKD.	LYX	PJ. NO.: CD.02.02-11-0001 SIZE: A4   DRW NO.:	
DR.	TSP	FINISH: SEE NOTES   MAT'L.: SEE NOTES SCALE: N/A   REV.: A0   UNIT: mm   PAGE: 2/2	