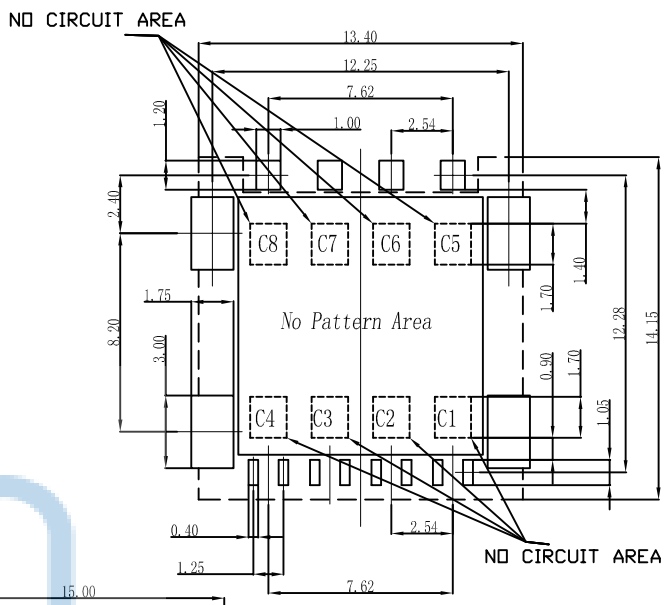
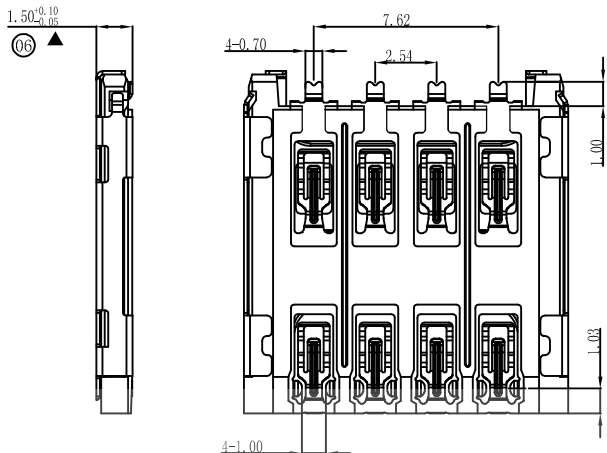
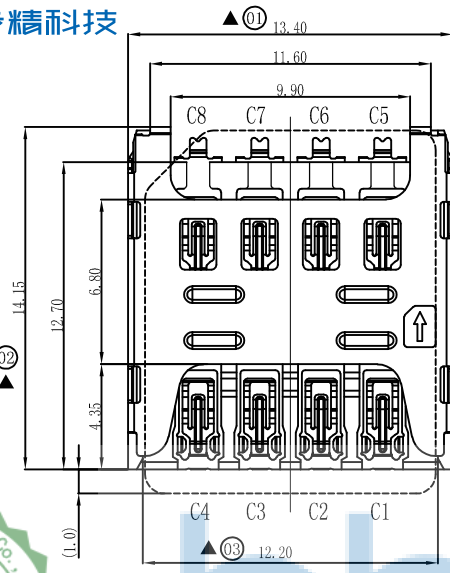
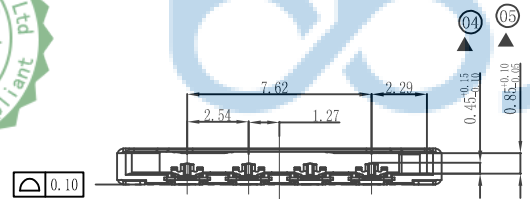


REV.	ECN NO.	CONTENT	DATE	ENGINEER
A0		Initial release	/	SGF

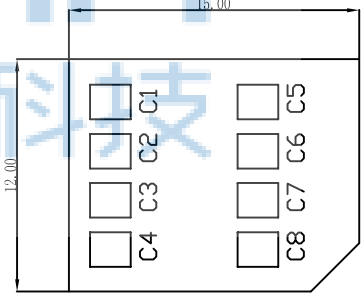
A
B
C
D
E



RECOMMENDED PCB LAYOUT (Top View)
GENERAL TOLERANCE ±0.05



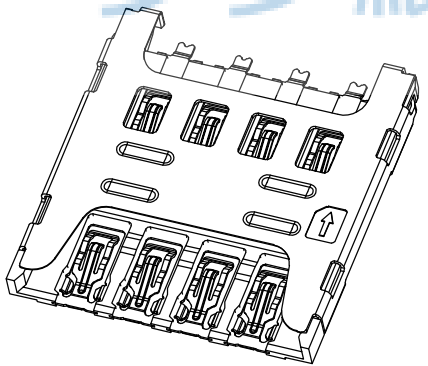
+0.05 (U.S.L.)
(HOUSING BOTTOM)
-0.15 (L.S.L.)
SMT SIDE
COPLANARITY



MICRO SIM CARD

PIN No.	DESCRIPTION
C1	VCC (SUPPLY VOLTAGE)
C2	RST (RESET SIGNAL)
C3	CLK (CLOCK SIGNAL)
C4	RESERVED
C5	GND
C6	VPP (VARIABLE SUPPLY VOLTAGE)
C7	I/O (DATA INPUT/OUTPUT)
C8	RESERVED

- NOTES:
- ELECTRICAL CHARACTERISTICS
 - CONTACT RESISTANCE: 100 Milliohms Max
 - INSULATION RESISTANCE: 1,000 Megohms Min.
 - VOLTAGE RATING: 50V.
 - CURRENT RATING: 1.0A.
 - MECHANICAL CHARACTERISTICS
 - OPERATION TEMPERATURE RANGE: -20°C~+85°C
 - DURABILITY: 5000 CYCLES
 - MATERIAL:
 - HOUSING: THERMOPLASTIC,UL 94-V0 LCP black
 - CONTACT: Phosphorous copper C5191 T=0.10
 - SHELL:stainless steel 201-1/2H T=0.15
 - FINISHED:
 - CONTACT: NI PLATED UNDER,Au PLATED ON CONTACT AREA,G/F PLATED ON SOLDER TAIL
 - SHELL: NI PLATED UNDER,G/F PLATED ON SOLDER TAIL



3D VIEW



THIS DOCUMENT IS THE SOLE PROPERTY OF **深圳市步步精科技有限公司** (BBJconn Technology Co., Ltd.)

Corporation AND SHOULD NOT BE USED IN WHOLE OR IN PART WITHOUT PRIOR WRITTEN PERMISSION.

PDWG.NO: 0390-1

NAME: MICRO SIM CARD SIM卡座 8Pin H1.5mm

APPD. JM_Zheng

CHKD. LYX

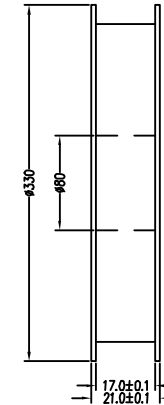
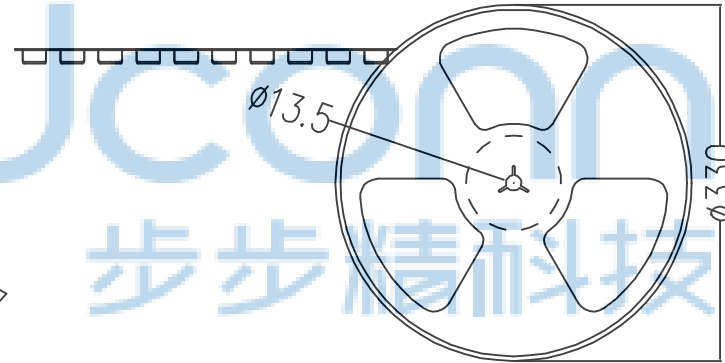
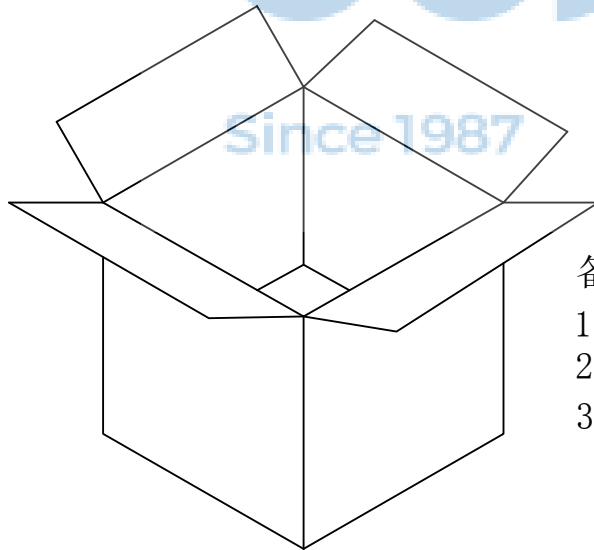
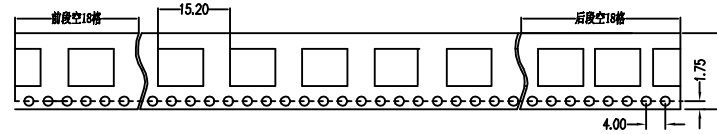
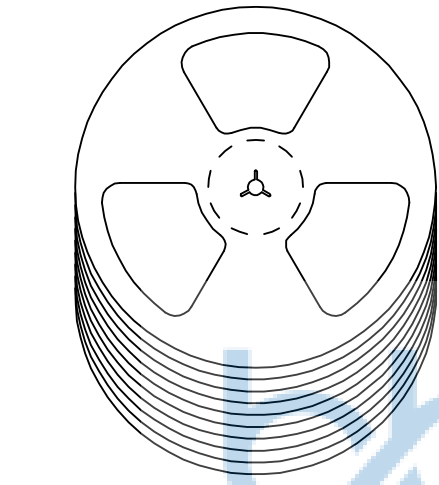
DR. SGF

PJ. NO.: CD.02.02-14-0001

SIZE: A4 DRW NO.:

FINISH: SEE NOTES MAT'L.: SEE NOTES

SCALE: N/A REV.: A0 UNIT: mm PAGE: 1/2



备注:

1. 包装数量: 1300/PCS/卷, 10卷/箱。
2. 包装袋长度: 每卷前后各空10-20个空格, 中间包装。
3. 材质:
 载体: 聚丙烯 (PS), 阻抗 $10^{6-9} \Omega$
 上带: 聚乙烯 (PET), 阻抗 $10^{6-11} \Omega$
 卷盘: 聚苯乙烯。

纸箱规格: 345*345*23MM

纸箱规格: 345*345*35MM

THIS DOCUMENT IS THE SOLE PROPERTY OF BBJconn Technology Co.,Ltd. Corporation AND SHOULD NOT BE USED IN WHOLE OR IN PART WITHOUT PRIOR WRITTEN PERMISSION.		深圳市步步精科技有限公司 .X: ±0.38 .X': ±3' .XX: ±0.25 .X'': ±2' .XXX: ±0.13 .XX': ±1'		NAME: MICRO SIM CARD SIM卡座 8Pin H1.5mm	
APPD.	JM_Zheng	PJ. NO.: CD.02.02-14-0001		SIZE: A4 DRW NO.:	
CHKD.	LYX	FINISH: SEE NOTES		MAT'L.: SEE NOTES	
PDWG.NO:	0390-1	DR.	SGF	SCALE: N/A	REV.: A0 UNIT: mm PAGE: 2/2