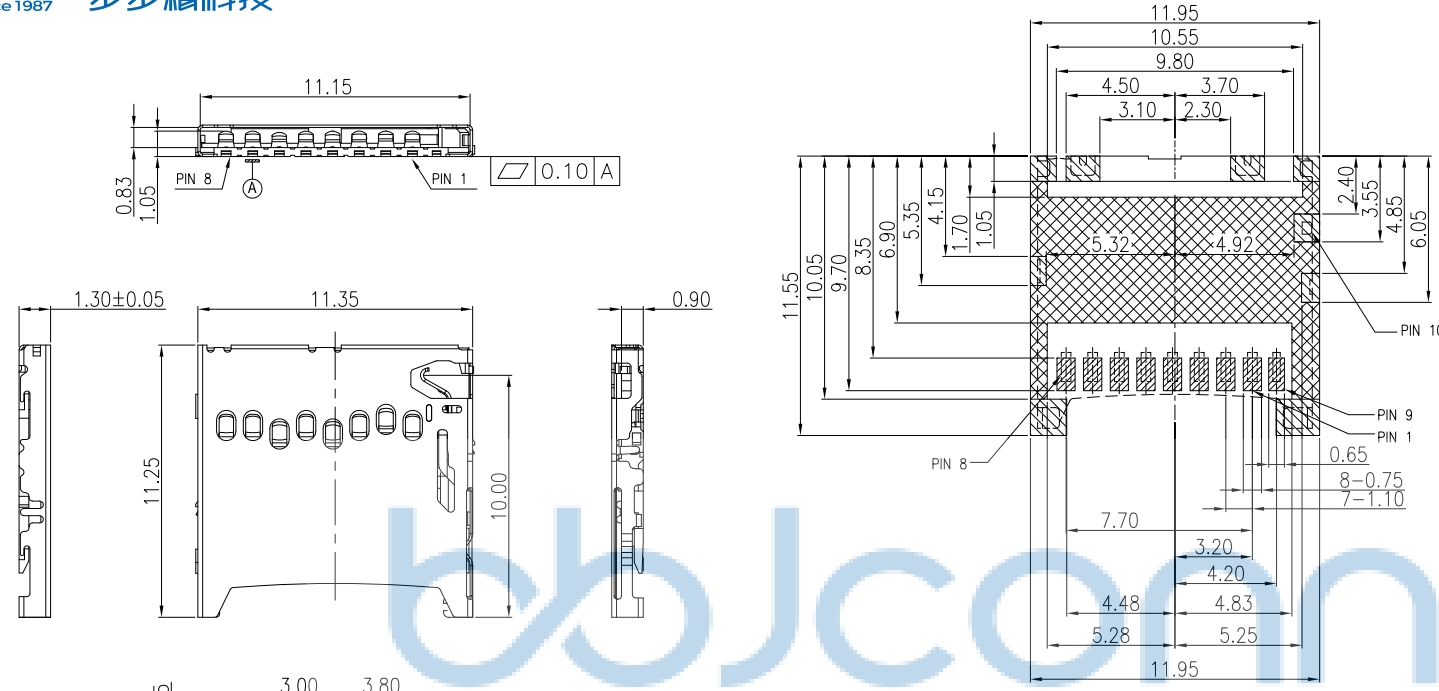


REV.	ECN NO	CONTENT	DATE	ENGINEER
A0		Initial release	/	SGF

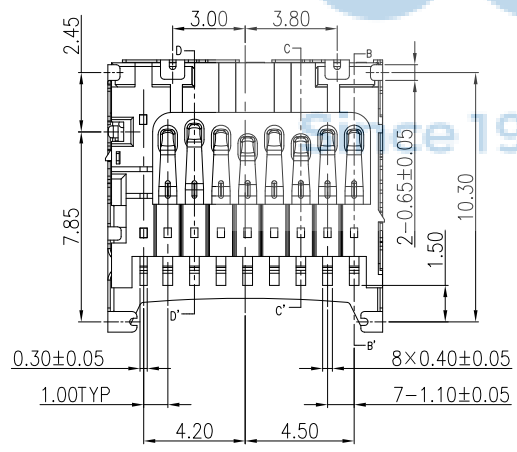
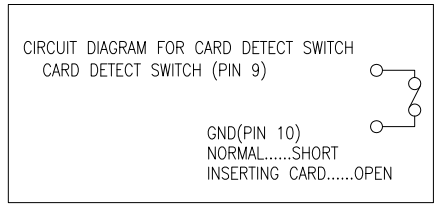
MATERIALS:
 1-1:HOUSING :LCP UL94V-0. BLACK
 1-2:TERMINAL :30u" MIN. Ni UNDERPLATED OVERALL
 G/F PALTED ON CONTACT AREA AND SOLDER AREA
 1-3:SHELL : SUS201; 30u" Ni UNDERPALTED ON SOLDER AREA
 G/F PALTED ON SOLDER AREA
 OTHER PLACE NO PLATING

SPECIFICATION:
 1-1:CURRENT RATING : 0.5 A. MAX.
 1-2:DIELECTRIC WITHSTANDING VOLTAGE :500V AC R. M. S. FOR 1 MINUTE.
 1-3:INSULATION RESISTANCE : 1000MΩ MIN. AT 500V DC.
 1-4:CONTACT RESISTANCE : 100mΩ MAX.
 1-5:OPERATING LIFE: 3000 CYCLES.
 1-6:OPERATING TEMPERATURE : -40° C TO +85° C.



RECOMMEND PCB LAYOUT
 TOLERANCE: ±0.05

TOP VIEW



PIN Assignment		
Pin	SD	SPI
P1	DAT 2	X
P2	CD/DAT 3	CS
P3	CMD	DI
P4	VDD	VDD
P5	CLK	SCLK
P6	VSS	VSS
P7	DAT 0	DO
P8	DAT 1	
P9	SWITCH	
P10	GND	



THIS DOCUMENT IS THE SOLE PROPERTY OF BBJconn Technology Co.,Ltd. Corporation AND SHOULD NOT BE USED IN WHOLE OR IN PART WITHOUT PRIOR WRITTEN PERMISSION.

PDWG.NO: 0302-1

DR. SGF

APPD. JM_Zheng

CHKD. LYX

NAME: 卡座 CARD 8PIN H=1.30

PJ. NO.: 142-114-080001-V8G

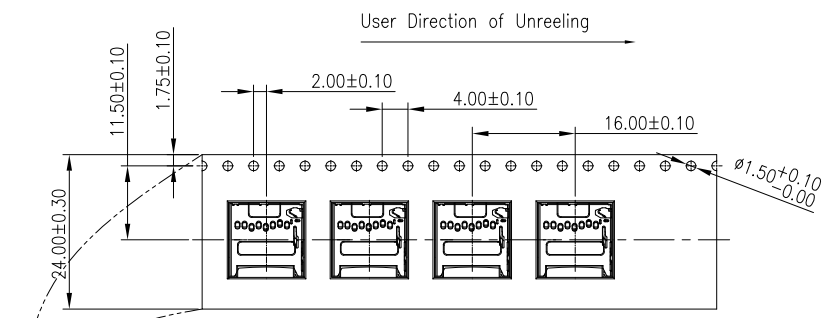
SIZE: A4 DRW NO.:

FINISH: SEE NOTES MAT'L.: SEE NOTES

SCALE: N/A REV.: A0 UNIT: mm PAGE: 1/2

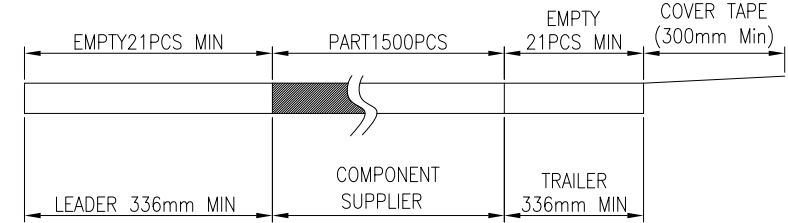
深圳市步步精科技有限公司

REV.	ECN NO	CONTENT	DATE	ENGINEER
A0		Initial release	/	SGF

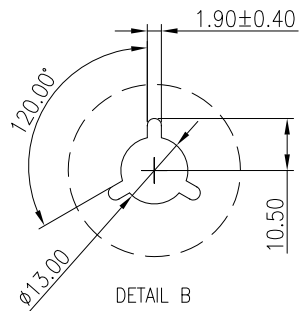
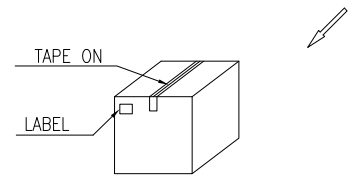
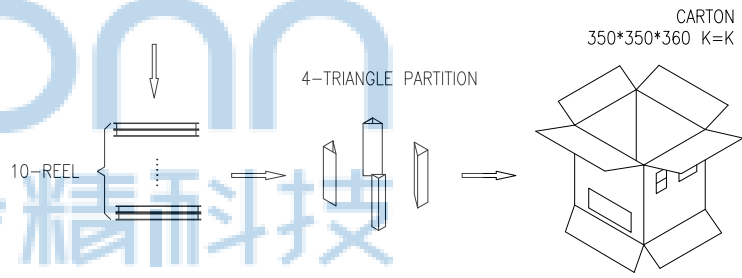
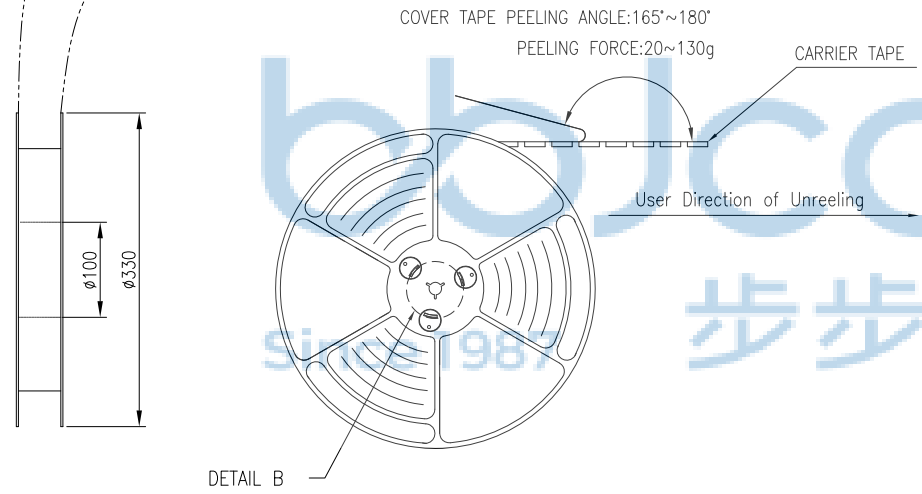


NOTES

1. NUMBER OF CONNECTORS:1500PCS/REEL
2. LEAD TAPE LENGTH



3. QUANTITY: 15000PCS/CARTON



THIS DOCUMENT IS THE SOLE PROPERTY OF BBJconn Technology Co.,Ltd. Corporation AND SHOULD NOT BE USED IN WHOLE OR IN PART WITHOUT PRIOR WRITTEN PERMISSION.		深圳市步步精科技有限公司 .X: ±0.38 .X': ±3' .XX: ±0.25 .X': ±2' .XXX: ±0.13 .XX': ±1'		NAME: 卡座 CARD 8PIN H=1.30	
APPD.	JM_Zheng	PJ. NO.: 142-114-080001-V8G SIZE: A4 DRW NO.:		FINISH: SEE NOTES MAT'L.: SEE NOTES	
CHKD.	LYX	SCALE: N/A		REV.: A0	UNIT: mm
PDWG.NO:	0302-1	DR.	SGF		PAGE: 2/2