

**SPECIFICATION**

**1.Material:**

Insulator: LCP, rated UL94V-0,color:black.  
 Contacts: Phosphor Bronze,  
 Tin 80u"MIN at Solder Tail,  
 Selected Gold on Contact Area Plating.  
 Shell: Stainless.  
 Gold at Solder Tail,  
 Over Nickel Plating.

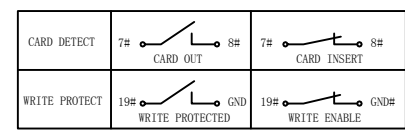
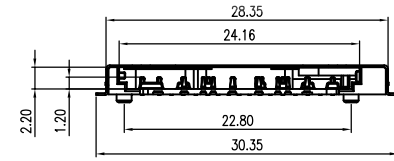
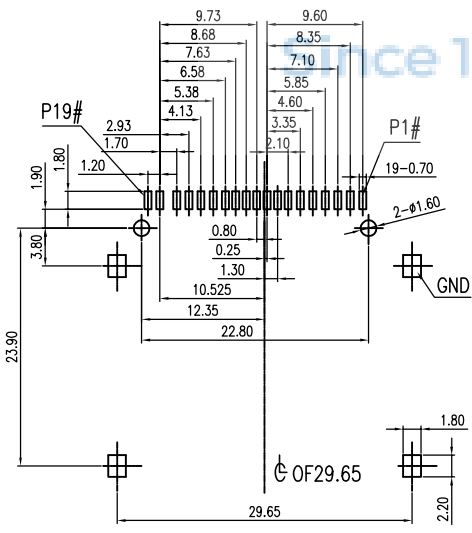
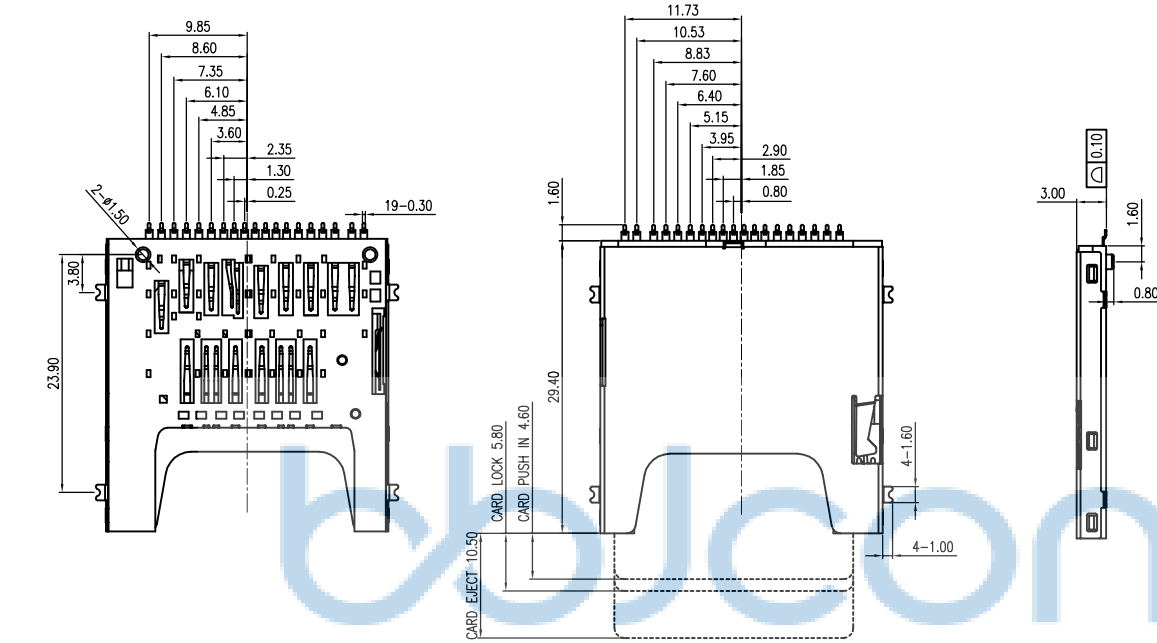
**2.Electrical Characteristics:**

Operating voltage : 500V(AC/DC).  
 Current rating : 1.0 A.  
 Operating Temperature: -25°C~+85°C.  
 Insulation resistance: 1000M ohms min. at 250VDC  
 Dielectric withstanding voltage:500 VAC/1minute.  
 Contact resistance: 100m ohms max.  
 Mating cycle: 5000 cycles, spring is not breaking.



**PIN DEFINE:**

PIN#	NAME	DESCRIPTION	PIN#	NAME	DESCRIPTION
1	VSS3	GROUND	11	VDD1	SUPPLY VOLTAGE
2	DAT2	DATA LINE BIT2	12	D1-	DIFFERENTIAL DATE 1-
3	DO+	DIFFERENTIAL DATE 0+	13	CLK	CLOCK
4	CD/DAT3	CARD DETECT/DATA LINE BIT3	14	D1+	DIFFERENTIAL DATE 1+
5	DO-	DIFFERENTIAL DATE 0-	15	VSS2	SUPPLY VOLTAGE GROUND
6	CMD	COMMAND/RESPONSE	16	VSS5	GROUND
7	CD	CARD DETECT	17	DAT0	DATA LINE BIT0
8	VSS1	SUPPLY VOLTAGE GROUND	18	DAT1	DATA LINE BIT1
9	VSS4	GROUND	19	WP	WRITE PROTECT
10	VDD2	SUPPLY VOLTAGE (1.8V)			



**RECOMMENDER PCB LAYOUT**  
TOLERANCE UNLESS OTHERWISE IS ±0.05

THIS DOCUMENT IS THE SOLE PROPERTY OF BBJconn Technology Co.,Ltd. Corporation AND SHOULD NOT BE USED IN WHOLE OR IN PART WITHOUT PRIOR WRITTEN PERMISSION.

PDWG.NO: 0302-1

**深圳市步步精科技有限公司**

NAME: 卡座 SD 4.0 CARD PUSH 19P L=29.4 H=3.0 板上外焊 四脚贴 带柱

PJ. NO.: 142-318-190001-V8G

SIZE: A4 | DRW NO.:

FINISH: SEE NOTES | MAT'L.: SEE NOTES

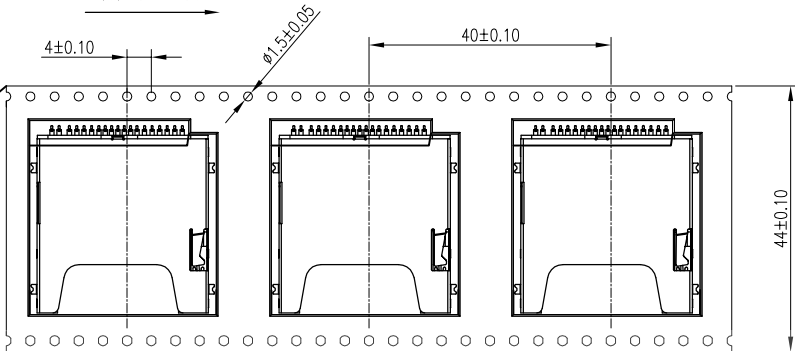
SCALE: N/A | REV.: A0 | UNIT: mm | PAGE: 1/2

APPD. JM\_Zheng

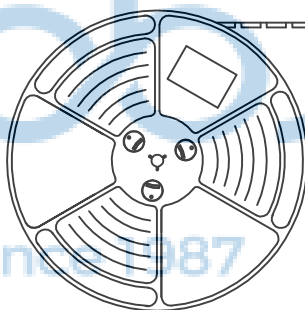
CHKD. LYX

DR. SGF

客户拉出方向



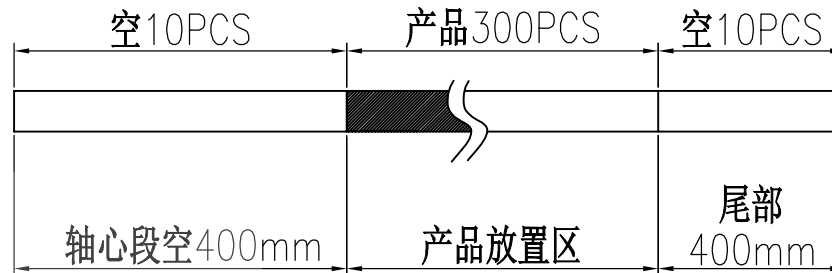
客户拉出方向



NOTES

1. 每卷包装数量:300PCS/每卷

2. 卷带包装方式:



3. 每箱包装数量:1800PCS/箱

纸箱底部和顶部各垫一块保利龙

护角

纸箱

封箱胶带

6卷/箱

外箱标签贴示位置



THIS DOCUMENT IS THE SOLE PROPERTY OF BBJconn Technology Co.,Ltd. Corporation AND SHOULD NOT BE USED IN WHOLE OR IN PART WITHOUT PRIOR WRITTEN PERMISSION.		深圳市步步精科技有限公司 .X: ±0.38    .XX: ±0.25    .XXX: ±0.13 X': ±3"    X'': ±2"    XX': ±1"		NAME: 卡座 SD 4.0 CARD PUSH 19P L=29.4 H=3.0 板上外焊 四脚贴 带柱 PJ. NO.: 142-318-190001-V8G SIZE: A4   DRW NO.: FINISH: SEE NOTES   MAT'L.: SEE NOTES SCALE: N/A   REV.: A0   UNIT: mm   PAGE: 2/2	
APPD.	JM_Zheng	DR.	SGF		
CHKD.	LYX				
PDWG.NO:	0302-1				