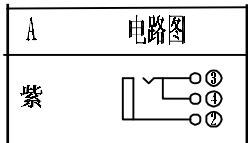


技术要求:
 使用温度范围: -40℃~70℃
 额定负荷: DC50V 0.2A
 接触电阻: ≤0.03Ω
 绝缘电阻: ≥100MΩDC500V
 耐压: AC500V(50HZ)/min
 插拔力: 3~25N
 寿命: 5000次



部件名称	数量	材料
插针	3	黄铜 t=0.3
铜套	1	黄铜 t=0.3
基座	1	PBT

THIS DOCUMENT IS THE SOLE PROPERTY OF BBJconn Technology Co., Ltd. Corporation AND SHOULD NOT BE USED IN WHOLE OR IN PART WITHOUT PRIOR WRITTEN PERMISSION.

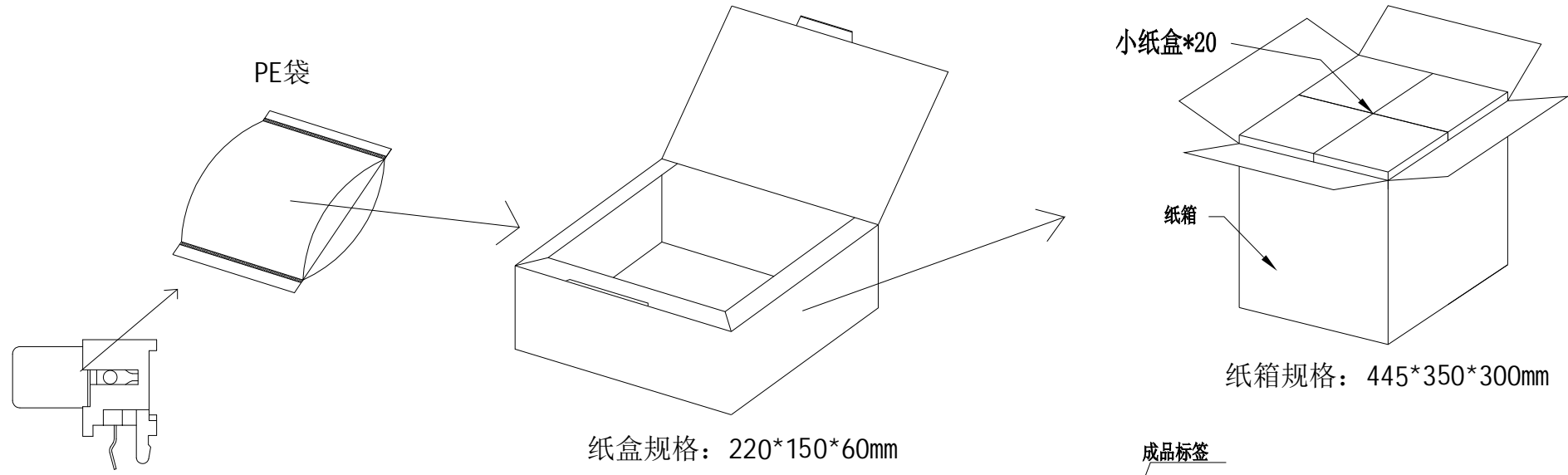
PDWG.NO: 0066-2

APPD. JM_Zheng
CHKD. LYX
DR. SGF

NAME: AV-5A红色

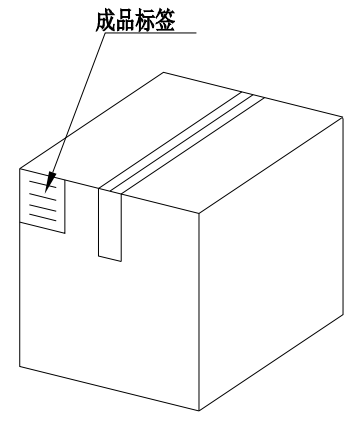
PJ. NO.: AV.01.23-11-2003
SIZE: A4 | DRW NO.:
FINISH: SEE NOTES | MAT'L.: SEE NOTES
SCALE: N/A | REV.: A0 | UNIT: mm | PAGE: 1/2

REV.	ECN NO	CONTENT	DATE	ENGINEER
A0		Initial release	/	SGF



1. 包装要求:

- 1.1 每PE袋包装400pcs;
- 1.2 每1袋放一小纸盒;
- 1.3 每20个小纸盒放一个纸箱, 共计8000 PCS
- 1.4 纸箱外贴上标签



THIS DOCUMENT IS THE SOLE PROPERTY OF BBJconn Technology Co.,Ltd. Corporation AND SHOULD NOT BE USED IN WHOLE OR IN PART WITHOUT PRIOR WRITTEN PERMISSION.		深圳市步步精科技有限公司 .X: ±0.38 .X': ±3" .XX: ±0.25 .X": ±2" .XXX: ±0.13 .XX': ±1"		NAME: AV-5A红色	
APPD.	JM_Zheng	PJ. NO.: AV.01.23-11-2003 SIZE: A4 DRW NO.:		FINISH: SEE NOTES MAT'L.: SEE NOTES	
CHKD.	LYX	SCALE: N/A		REV.: A0	UNIT: mm
PDWG.NO:	0066-2	DR.	SGF	PAGE: 2/2	