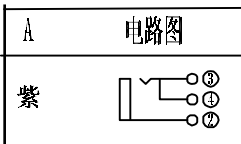
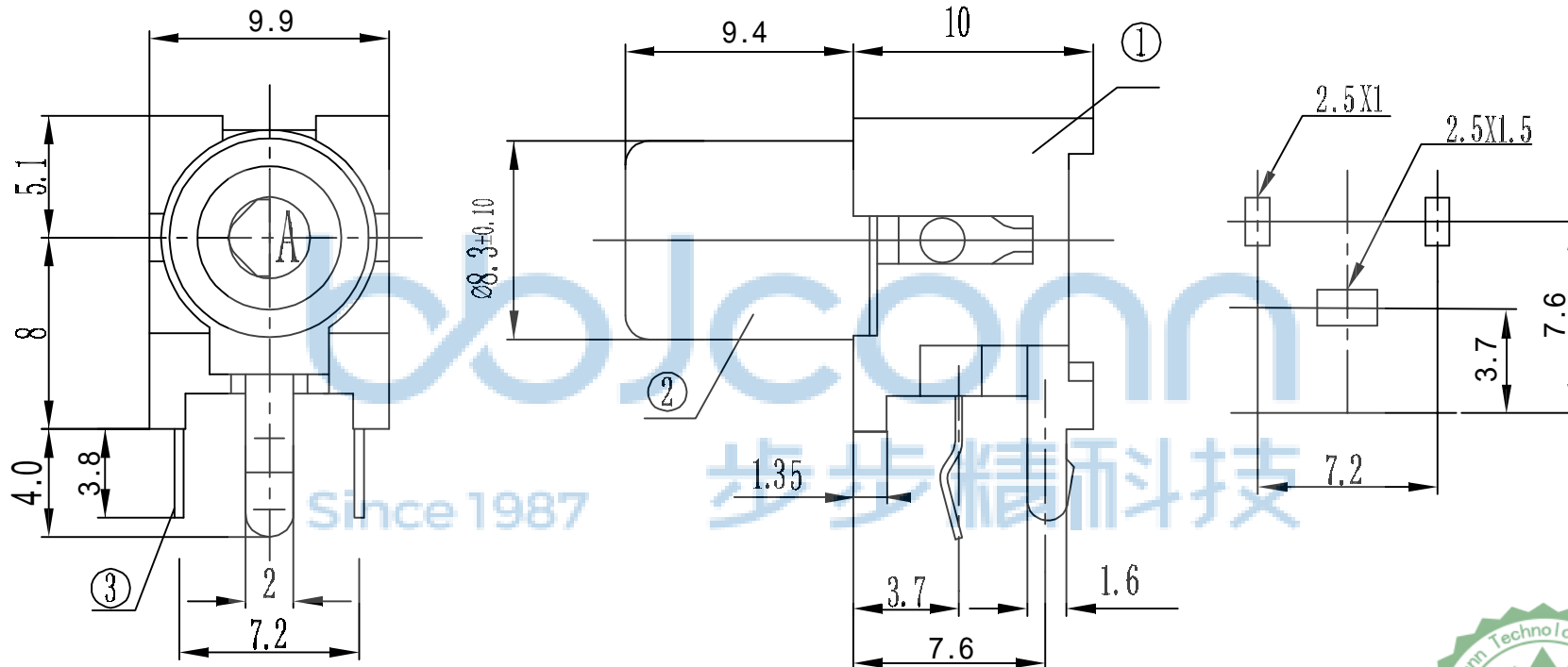


REV.	ECN NO	CONTENT	DATE	ENGINEER
A0		Initial release	/	SGF

技术要求:  
 使用温度范围: -40℃~70℃  
 额定负荷: DC50V 0.2A  
 接触电阻: ≤0.03Ω  
 绝缘电阻: ≥100MΩDC500V  
 耐压: AC500V(50HZ)/min  
 插拔力: 3~25N  
 寿命: 5000次



部件名称	数量	材料
插针	3	黄铜 t=0.3
铜套	1	黄铜 t=0.3
基座	1	PBT



THIS DOCUMENT IS THE SOLE PROPERTY OF BBJconn Technology Co., Ltd. CORPORATION AND SHOULD NOT BE USED IN WHOLE OR IN PART WITHOUT PRIOR WRITTEN PERMISSION.

PDWG.NO: 0066-2

**深圳市步步精科技有限公司**

NAME: AV-5A橙色

PJ. NO.: AV.01.53-11-2002

SIZE: A4 | DRW NO.:

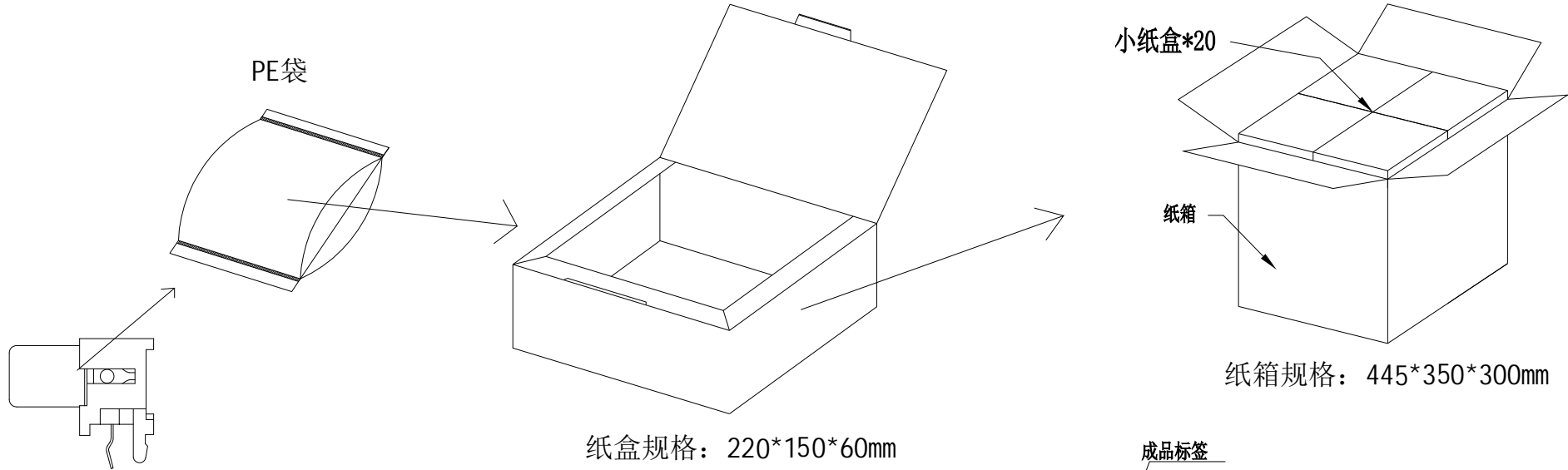
FINISH: SEE NOTES | MAT'L.: SEE NOTES

SCALE: N/A | REV.: A0 | UNIT: mm | PAGE: 1/2

APPD. JM\_Zheng  
CHKD. LYX  
DR. SGF

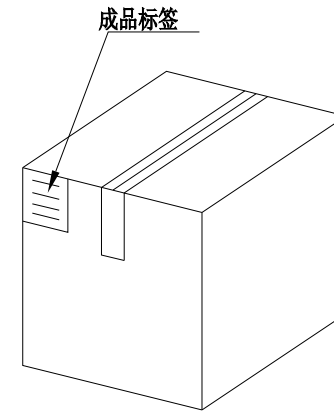
尺寸公差:  
 .X: ±0.38 X': ±3"  
 .XX: ±0.25 .X': ±2"  
 .XXX: ±0.13 .XX': ±1"

REV.	ECN NO	CONTENT	DATE	ENGINEER
A0		Initial release	/	SGF



1. 包装要求:

- 1.1 每PE袋包装400pcs;
- 1.2 每1袋放一小纸盒;
- 1.3 每20个小纸盒放一个纸箱, 共计8000 PCS
- 1.4 纸箱外贴上标签



THIS DOCUMENT IS THE SOLE PROPERTY OF BBJconn Technology Co.,Ltd. Corporation AND SHOULD NOT BE USED IN WHOLE OR IN PART WITHOUT PRIOR WRITTEN PERMISSION.				NAME: AV-5A橙色	
.X: ±0.38 .XX: ±0.25 .XXX: ±0.13		X': ±3" .X': ±2" .XX': ±1"		APPD. JM_Zheng CHKD. LYX	
PDWG.NO: 0066-2		DR. SGF		PJ. NO.: AV.01.53-11-2002 SIZE: A4   DRW NO.: FINISH: SEE NOTES   MAT'L.: SEE NOTES SCALE: N/A   REV.: A0   UNIT: mm   PAGE: 2/2	