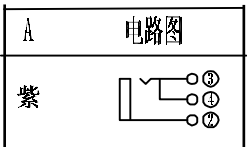


技术要求:
 使用温度范围: -40℃~70℃
 额定负荷: DC50V 0.2A
 接触电阻: ≤0.03Ω
 绝缘电阻: ≥100MΩDC500V
 耐压: AC500V(50HZ)/min
 插拔力: 3~25N
 寿命: 5000次

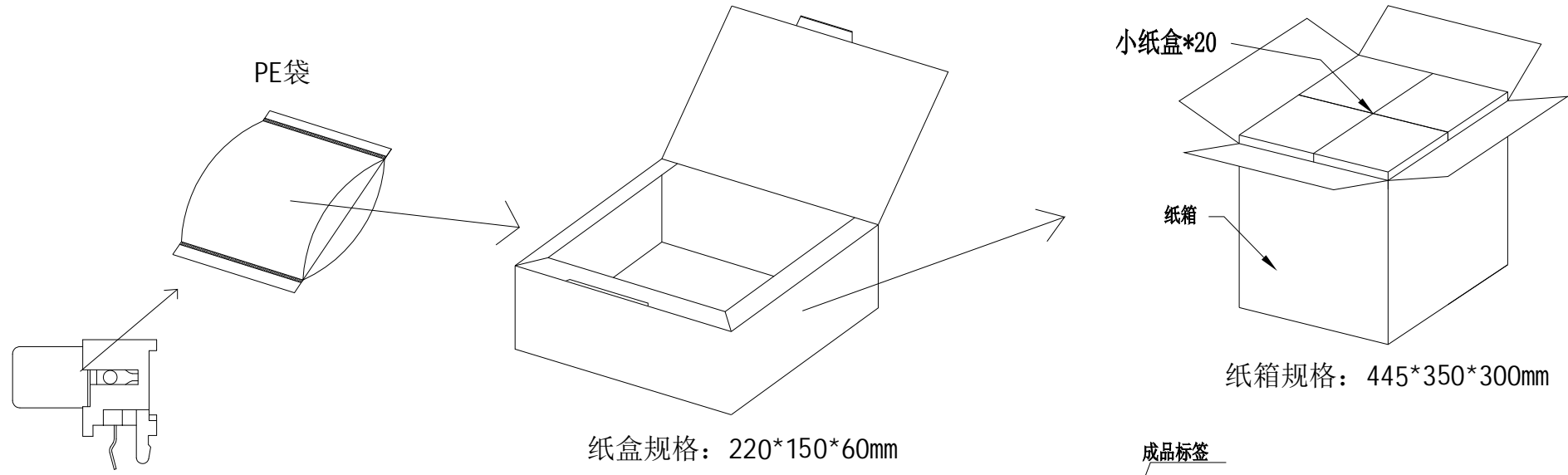


部件名称	数量	材料
插针	3	黄铜 t=0.3
铜套	1	黄铜 t=0.3
基座	1	PBT



THIS DOCUMENT IS THE SOLE PROPERTY OF BBJconn Technology Co.,Ltd. Corporation AND SHOULD NOT BE USED IN WHOLE OR IN PART WITHOUT PRIOR WRITTEN PERMISSION.		深圳市步步精科技有限公司 NAME: AV-5A紫色	
PDWG.NO: 0066-2	DR. SGF	APPD. JM_Zheng CHKD. LYX	PJ. NO.: AV.01.63-11-2004 SIZE: A4 DRW NO.: FINISH: SEE NOTES MAT'L.: SEE NOTES SCALE: N/A REV.: A0 UNIT: mm PAGE: 1/2

REV.	ECN NO	CONTENT	DATE	ENGINEER
A0		Initial release	/	SGF



1. 包装要求:

- 1.1 每PE袋包装400pcs;
- 1.2 每1袋放一小纸盒;
- 1.3 每20个小纸盒放一个纸箱, 共计8000 PCS
- 1.4 纸箱外贴上标签



THIS DOCUMENT IS THE SOLE PROPERTY OF BBJconn Technology Co.,Ltd. Corporation AND SHOULD NOT BE USED IN WHOLE OR IN PART WITHOUT PRIOR WRITTEN PERMISSION.				NAME: AV-5A紫色	
PDWG.NO: 0066-2		APPD. JM_Zheng CHKD. LYX DR. SGF		PJ. NO.: AV.01.63-11-2004 SIZE: A4 DRW NO.: FINISH: SEE NOTES MAT'L.: SEE NOTES SCALE: N/A REV.: A0 UNIT: mm PAGE: 2/2	