

REV.	ECN NO	CONTENT	DATE	ENGINEER
A0		Initial release	/	SGF

技术要求:

使用温度范围: -40°C~70°C

额定负荷: DC50V 0.2A

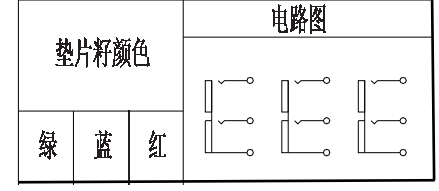
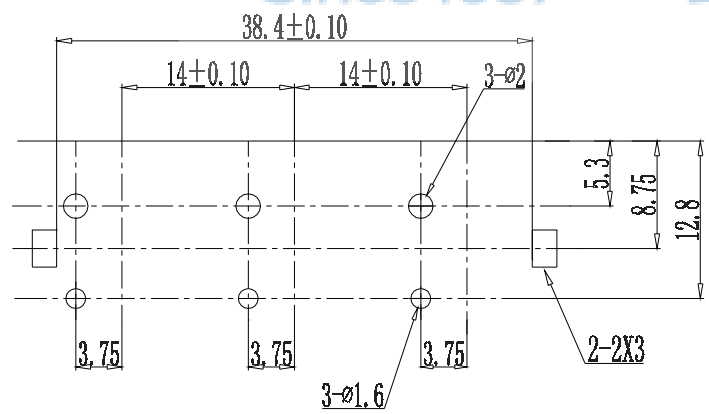
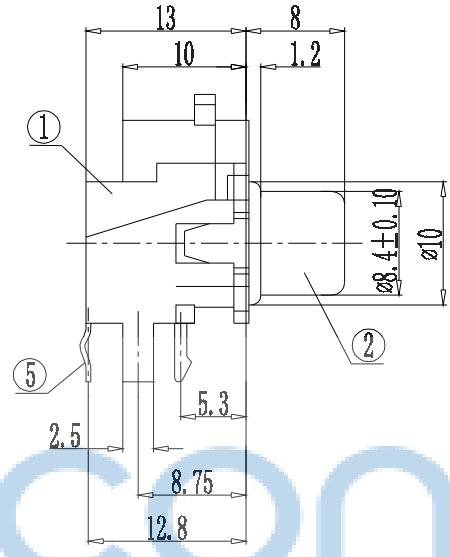
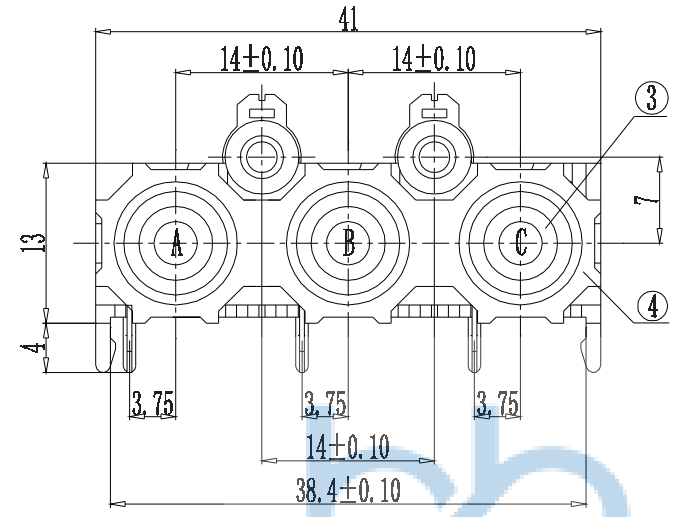
接触电阻: ≤0.03Ω

绝缘电阻: ≥100MΩDC500V

耐压: AC500V (50HZ) /min

插拔力: 3~25N

寿命: 10000次



序号	部件名称	数量	材料
5	插针	3	黄铜 t=0.35
4	眼镜圈	1	ABS
3	垫片籽	3	ABS
2	铜套	3	黄铜 t=0.3
1	基座	1	ABS

THIS DOCUMENT IS THE SOLE PROPERTY OF BBJconn Technology Co., Ltd. Corporation AND SHOULD NOT BE USED IN WHOLE OR IN PART WITHOUT PRIOR WRITTEN PERMISSION.

PDWG.NO: 0066-2

深圳市步步精科技有限公司

NAME: AV3-8.4-14

APPD. JM_Zheng

CHKD. LYX

DR. SGF

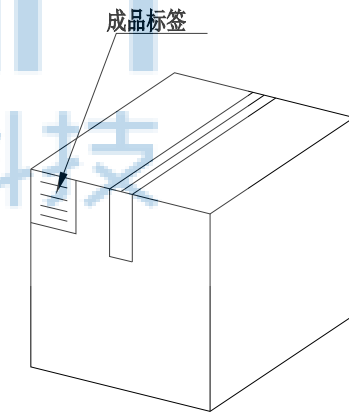
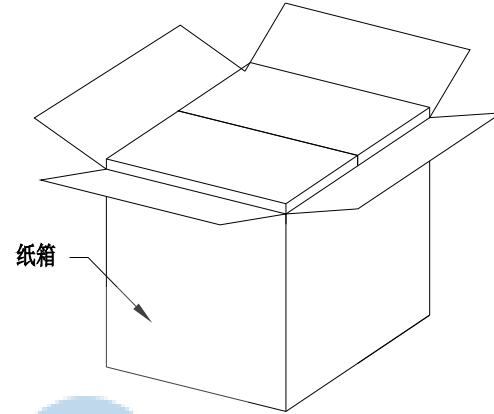
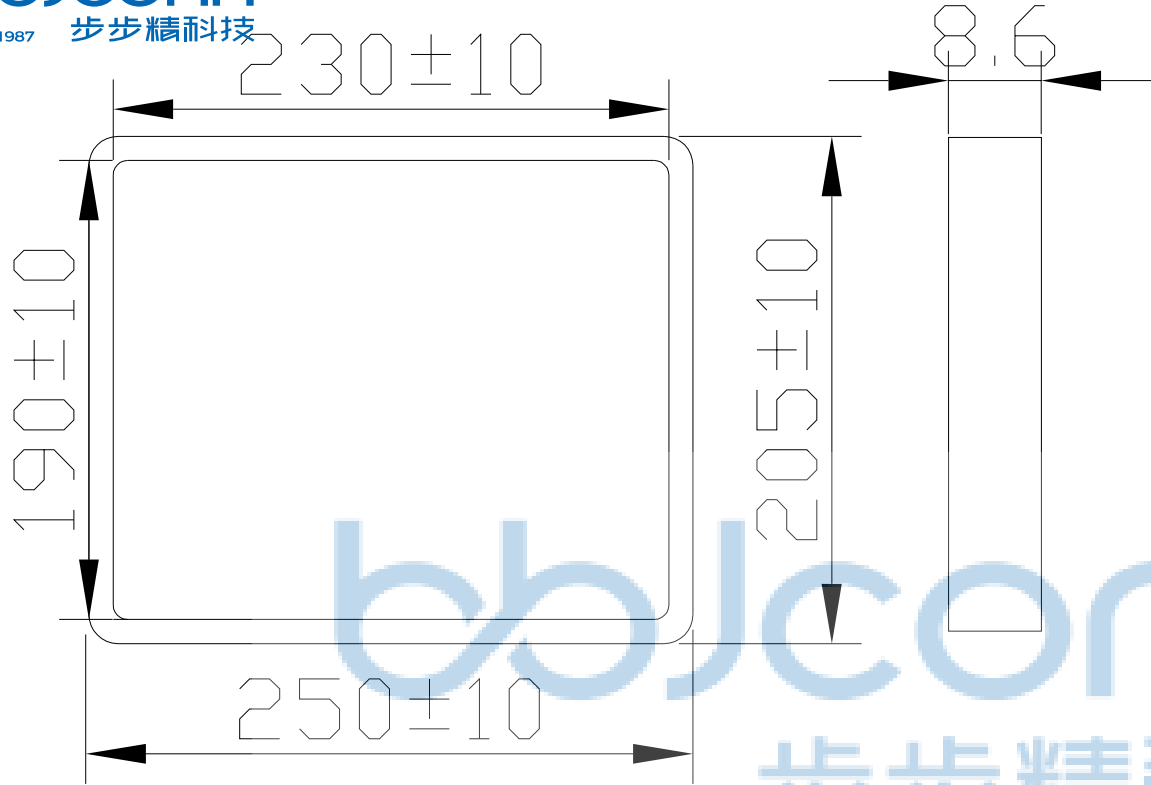
PJ. NO.: AV.03.39-11-2012

SIZE: A4 DRW NO.:

FINISH: SEE NOTES MAT'L.: SEE NOTES

SCALE: N/A REV.: A0 UNIT: mm PAGE: 1/2

REV.	ECN NO	CONTENT	DATE	ENGINEER
A0		Initial release	/	SGF



纸箱规格: 350*210*290

1. 包装要求:
- 1.1 每盒吸塑盒包装100pcs;
 - 1.2 每40盒放一箱, 共计4000PCS;
 - 1.3 纸箱外贴上标签

THIS DOCUMENT IS THE SOLE PROPERTY OF BBJconn Technology Co.,Ltd. Corporation AND SHOULD NOT BE USED IN WHOLE OR IN PART WITHOUT PRIOR WRITTEN PERMISSION.		深圳市步步精科技有限公司 .X: ±0.38 .X': ±3" .XX: ±0.25 .X'': ±2" .XXX: ±0.13 .XX': ±1"		NAME: AV3-8.4-14	
APPD.	JM_Zheng	PJ. NO.: AV.03.39-11-2012 SIZE: A4 DRW NO.:		FINISH: SEE NOTES MAT'L.: SEE NOTES	
CHKD.	LYX	SCALE: N/A		REV.: A0	UNIT: mm
PDWG.NO:	0066-2	DR.	SGF	PAGE: 2/2	