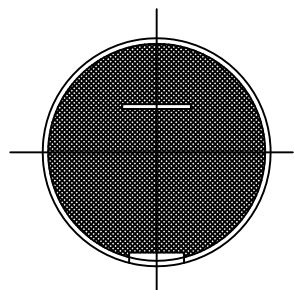
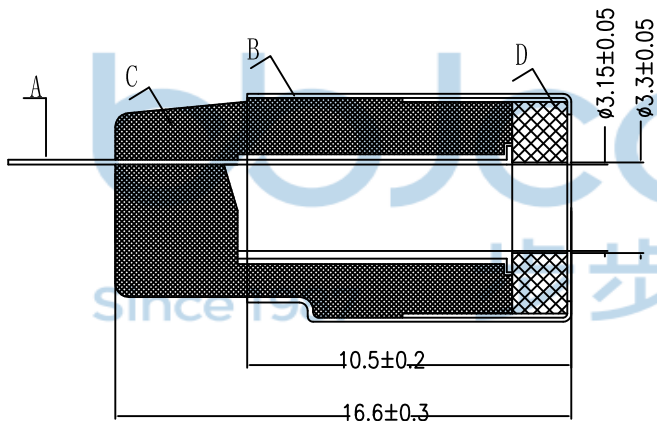
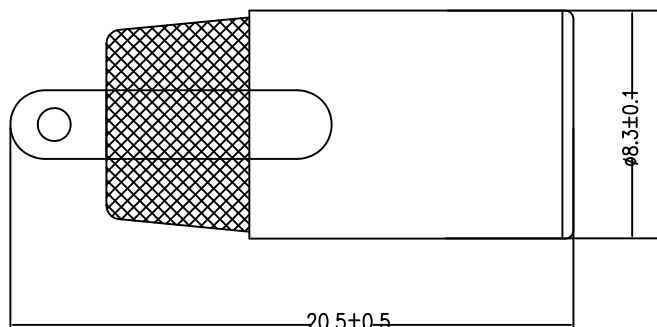


REV.	ECN NO	CONTENT	DATE	ENGINEER
A0		Initial release		LYX

NOTE:

- 材料：
  - 1.1口部胶芯：PBT 黄
  - 1.2尾部胶芯：ABS 白
  - 1.3铜管：C2680 镀金
  - 1.4弹片：C2680 镀金
- 盐雾测试：24H
- 电器：
  - 3.1额定电流：5A
  - 3.1耐压测试：AC 500 持续1分钟
  - 3.3绝缘测试：DC 500 100 M 持续1分钟
- 插拔力
  - 4.1插入力：小于3.0kg
  - 4.2拔出力：大于0.3kg
  - 4.3寿命：5000次
- 环保  
ROHS、REACH



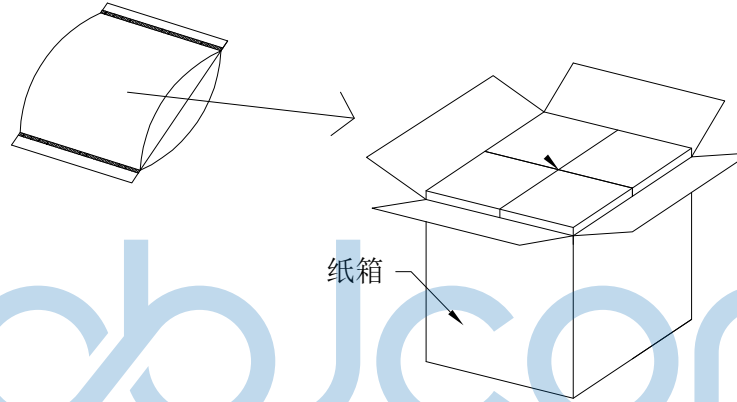
NO	PART	MATERIAL	材料	颜色/电镀
D	口部胶芯		PBT	黄色
C	尾部胶芯		ABS	白色
B	铜管		C2680	镀金
A	弹片		C2800	镀金



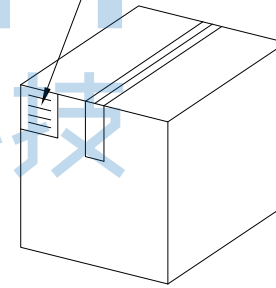
THIS DOCUMENT IS THE SOLE PROPERTY OF BBJconn Technology Co., Ltd. Corporation AND SHOULD NOT BE USED IN WHOLE OR IN PART WITHOUT PRIOR WRITTEN PERMISSION.		深圳市步步精科技有限公司 .X: ±0.38    .X': ±3' .XX: ±0.25    .X'': ±2' .XXX: ±0.13    .X''': ±1'		NAME: RCA R006 母座 3.15孔 焊线式 PBT黄色胶芯 PJ. NO.: 165-209-000001-Q6G SIZE: A4   DRW NO.: FINISH: SEE NOTES   MAT'L.: SEE NOTES SCALE: N/A   REV.: A0   UNIT: mm   PAGE: 1/2	
APPD.	JM_Zheng	CHKD.	TSP	DR.	LYX
PDWG.NO: 0847-1					

REV.	ECN NO	CONTENT	DATE	ENGINEER
A0		Initial release		LYX

PE袋规格: 260\*185




成品标签



1. 包装要求:

- 1.1 每个PE袋包装1000pcs;
- 1.2 每1袋放一小纸盒;
- 1.3 每10个小纸盒放一个纸箱, 共计10000pcs;
- 1.4 纸箱外贴上标签

THIS DOCUMENT IS THE SOLE PROPERTY OF BBJconn Technology Co.,Ltd. Corporation AND SHOULD NOT BE USED IN WHOLE OR IN PART WITHOUT PRIOR WRITTEN PERMISSION.		 深圳市步步精科技有限公司	
PDWG.NO: 0847-1		.X: ±0.38 .XX: ±0.25 .XXX: ±0.13	X': ±3" .X': ±2" .XX': ±1"
APPD.	JM_Zheng	NAME: RCA R006 母座 3.15孔 焊线式 PBT黄色胶芯	
CHKD.	TSP	PJ. NO.: 165-209-000001-Q6G	
DR.	LYX	SIZE: A4   DRW NO.:	
		FINISH: SEE NOTES   MAT'L.: SEE NOTES	
		SCALE: N/A   REV.: A3   UNIT: mm   PAGE: 2/2	