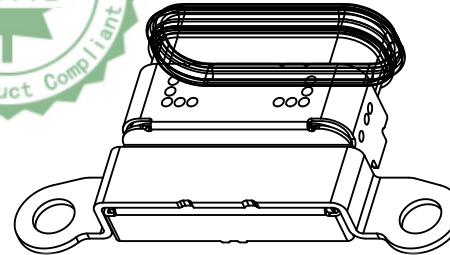
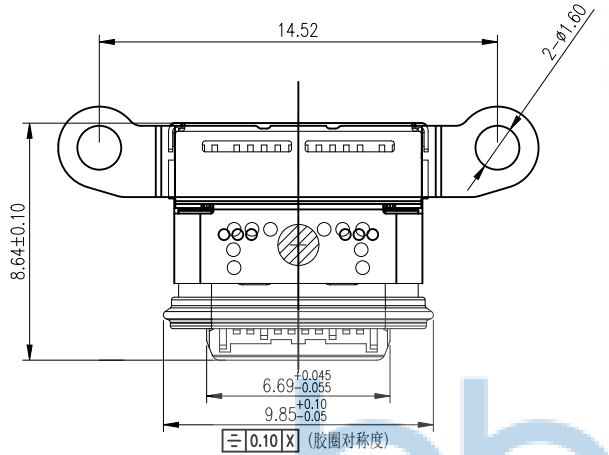


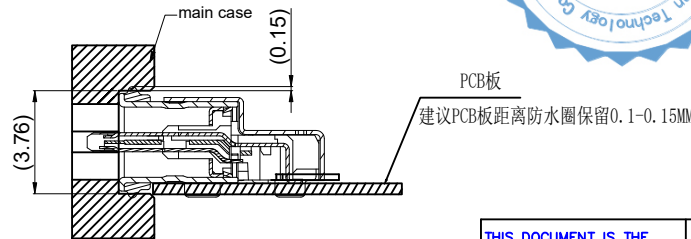
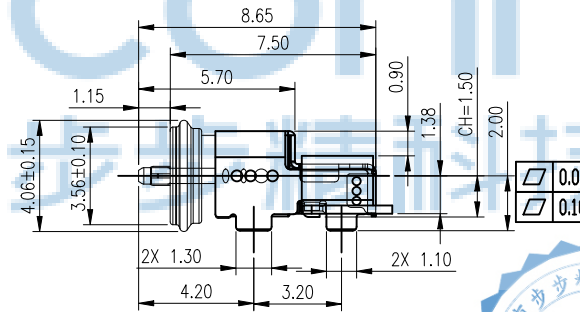
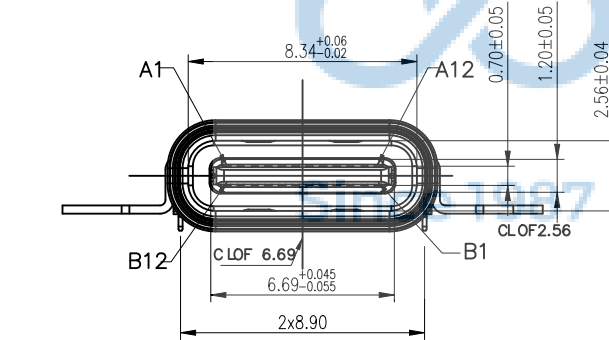


REV.	ECN NO.	CONTENT	DATE	ENGINEER
A0		Initial release	/	SGF



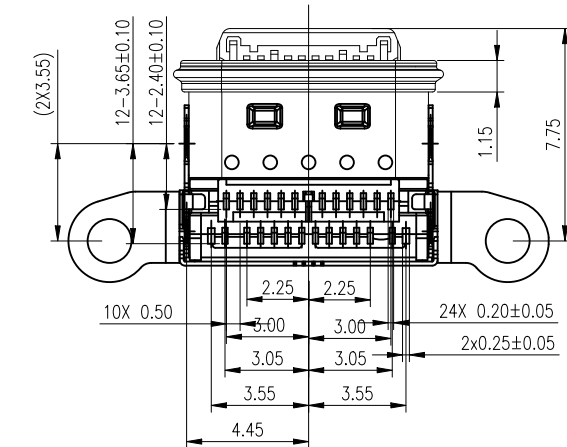
1. ELECTRICAL CHARACTERISTICS;
- 1.1 CONTACT RESISTANCE: 40mΩ Max FOR INITIAL. 10mΩ CHANGE AFTER TEST. MEASURE AT 20mV, 100mA.
 - 1.2 CONTACT CURRENT RATING: 5A FOR COLLECTIVELY POWER SUPPLY PIN (PIN1, A4, A9, A12, B1, B4, B9, B12); 1.25A FOR VCONN PIN; 0.25A FOR OTHER SIGNAL PIN.
 - 1.3 DIELECTRIC WITHSTANDING VOLTAGE: 100V AC R. M. S.
 - 1.4 INSULATION RESISTANCE 100MΩ Min
 - 1.5 OPERATING TEMPERATURE: -40° C ~ 85° C
- 2 MECHANICAL CHARACTERISTICS:
- 2.1 MATING FORCE: 5~20 N.
 - 2.2 UNMATED FORCE: 8~20N INITIAL TEST; 6~20N DURABILITY AFTER TEST
 - 2.3 DURABILITY: 10,000 CYCLES

USB TYPE-C FULL-FEATURED RECEPTACLE INTERFACE PIN ASSIGNMENTS



SECTION A-A
PANEL CUT-OUT REFERENCE

PIN	Signal Name	Description	PIN	Signal Name	Description
A1	GND	Ground return	B12	GND	Ground return
A2	SSTXp1	Positive half of first SuperSpeed TX differential pair	B11	SSRXp1	Positive half of first SuperSpeed RX differential pair
A3	SSTXn1	Negative half of first SuperSpeed TX differential pair	B10	SSRXn1	Negative half of first SuperSpeed RX differential pair
A4	Vbus	Bus Power	B9	Vbus	Bus Power
A5	CC1	Configuration Channel	B8	SBU2	Sideband Use (SBU)
A6	Dp1	Positive half of the USB 2.0 differential pair-Position 1	B7	Dn2	Negative half of the USB 2.0 differential pair-Position 2
A7	Dn1	Negative half of the USB 2.0 differential pair-Position 1	B6	Dp2	Positive half of the USB 2.0 differential pair-Position 2
A8	SBU1	Sideband Use (SBU)	B5	CC2	Configuraation Channel
A9	Vbus	Bus Power	B4	Vbus	Bus Power
A10	SSRXn2	Negative half of second SuperSpeed RX differential pair	B3	SSTXn2	Negative half of second SuperSpeed TX differential pair
A11	SSRXp2	Positive half of second SuperSpeed RX differential pair	B2	SSTXp2	Positive half of second SuperSpeed TX differential pair
A12	GND	Ground return	B1	GND	Ground return



THIS DOCUMENT IS THE SOLE PROPERTY OF BBJconn Technology Co., Ltd. CORPORATION AND SHOULD NOT BE USED IN WHOLE OR IN PART WITHOUT PRIOR WRITTEN PERMISSION.

PDWG.NO: 0541-1

深圳市步步精科技有限公司

NAME: TYPE-C 24P 防水母座 板上四脚DIP 带锁片 端子双排SMT L=7.5 CH=1.50 舌片外漏1.15 IPX8 镀金1U 编带

APPD: JM_Zheng

CHKD: LYX

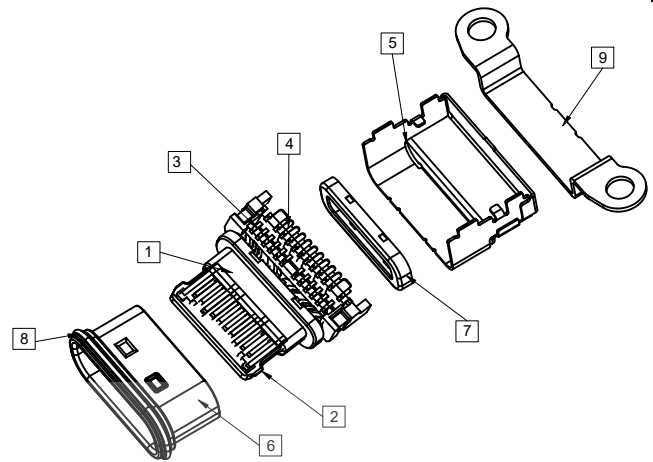
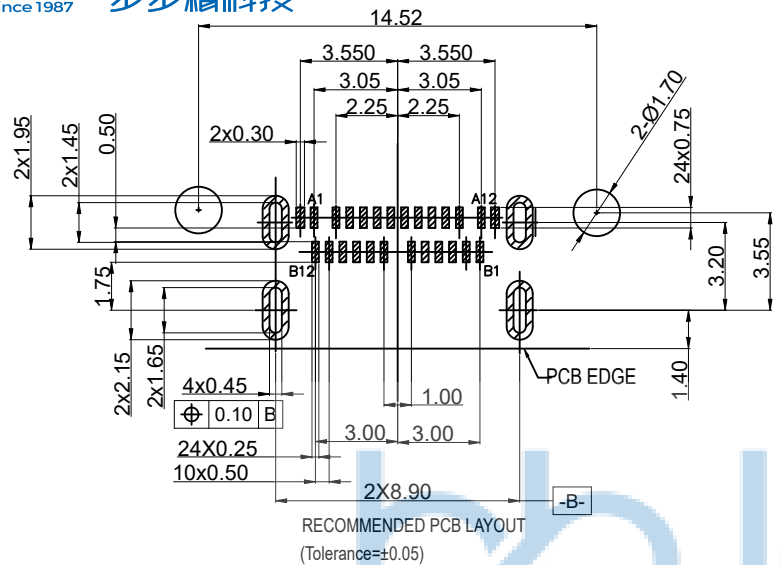
DR: SGF

PJ. NO.: 126-221-240004-X7G

SIZE: A4 DRW NO.:

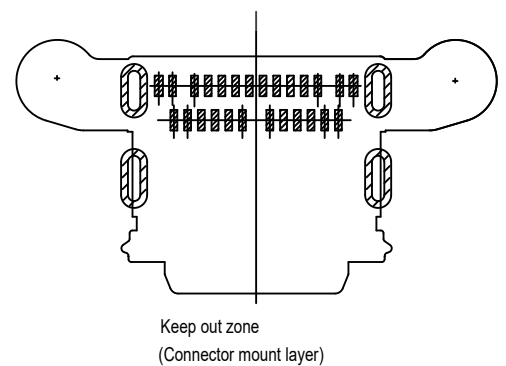
FINISH: SEE NOTES MAT'L: SEE NOTES

SCALE: N/A REV.: A0 UNIT: mm PAGE: 1/3

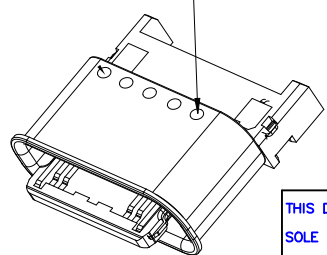


说明:

1. Colplanarity: 0.08最大红外线前., 0.10mm MAX
2. 舌PIN的位置: IR前 : 0.08mm MAX; IR后0.12mm MAX;
3. P/N:
4. 包装方式 : 载带真空包装
5. 接触区和焊接区无毛刺, 除特说明, 冲压毛刺为0.05mm MAX.
6. 未标注尺寸公差为依自由公差为准.
7. 成品端子平面度必须100%检测.
8. 成品可靠性测试要求参照规格书.
9. 产品满足 ROHS 2.0



Front&Back Laser point 2X5



10	马甲	1PCS	SUS304 ,T=0.30 镀镍50u" MIN.	
9	密封圈	1PCS	硅胶, 黑色	
8	胶水	1PCS	环氧胶, 黑色	
7	外壳	1PCS	SUS304 ,T=0.15. 镀镍50u" MIN.	
6	内拉伸壳	1PCS	SUS304 ,T=0.20.	
5	EMI拉伸壳	1PCS	SUS304 ,T=0.12. 镀镍50u" MIN.	
4	上排端子	1SET	C18400,T=0.12. 底层镀镍 50-100u",功能接触区单面	
3	下排端子	1SET	刷镀 Au 1u"/15u",焊接区双面镀金 G/F.	
2	中板	1PCS	SUS301-1/4 H, 镀镍50u" MIN.	
1	塑胶	1PCS	PA46 BLACK	
项目	组成部件	用量	材质/处理	备注

THIS DOCUMENT IS THE SOLE PROPERTY OF BBJconn Technology Co.,Ltd. Corporation AND SHOULD NOT BE USED IN WHOLE OR IN PART WITHOUT PRIOR WRITTEN PERMISSION. PDWNG,NO: 0541-1

深圳市步步精科技有限公司

.X: ±0.38 .XX: ±0.25 .XXX: ±0.13 X': ±3' .X': ±2' .XX': ±1'

NAME: TYPE-C 24P 防水母座 板上四脚DIP 带锁片 端子双排SMT L=7.5 CH=1.50 舌片外漏1.15 1PX8 镀金1U 编带

APPD. JM_Zheng

CHKD. LYX

DR. SGF

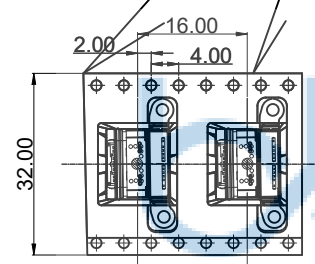
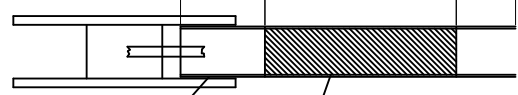
PJ. NO.: 126-221-240004-X7G

SIZE: A4 DRW NO.:

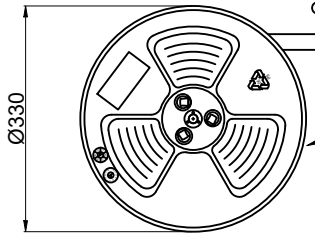
FINISH: SEE NOTES MAT'L.: SEE NOTES

SCALE: N/A REV.: A0 UNIT: mm PAGE: 2/3

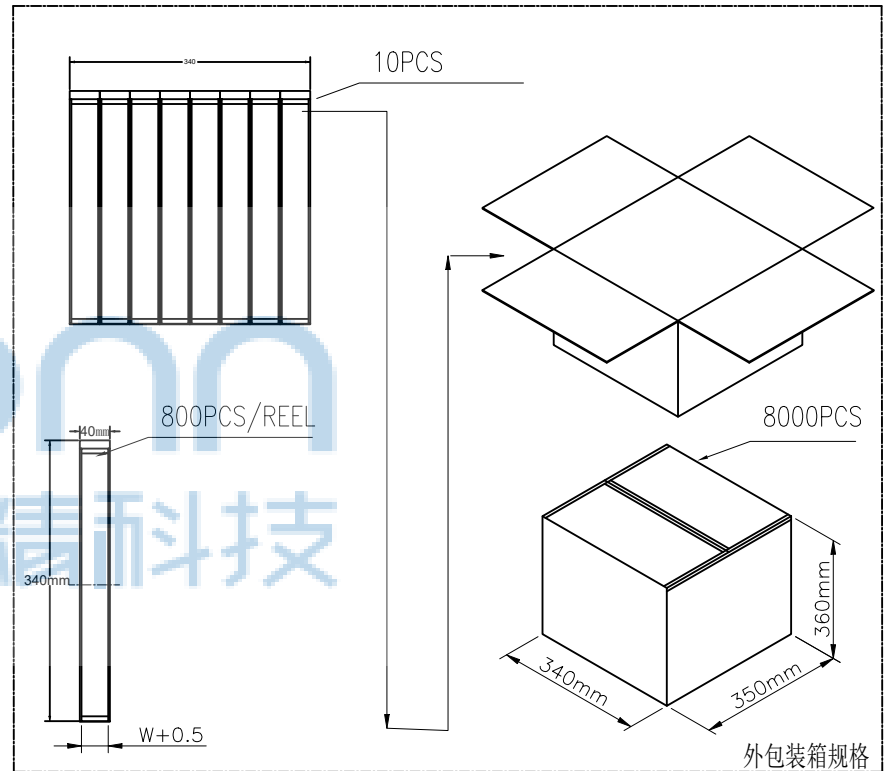
20pcs empty 800pcs products 20pcs Empty



customer unwinding direction



800PCS/REEL
Packing:
1. 800 Pcs/Reel.
2. 10 Reels/Carton.
PACK DIRECTION



	REEL	CARTON
CONNECTOR (PCS)	800	8800

THIS DOCUMENT IS THE SOLE PROPERTY OF BBJconn Technology Co., Ltd. CORPORATION AND SHOULD NOT BE USED IN WHOLE OR IN PART WITHOUT PRIOR WRITTEN PERMISSION.

PDWG.NO: 0541-1

深圳市步步精科技有限公司

.X: ±0.38 .XX: ±0.25 .XXX: ±0.13	X': ±3" .X': ±2" .XX': ±1"	NAME: TYPE-C 24P 防水母座 板上四脚DIP 带锁片 端子双排SMT L=7.5 CH=1.50 舌片外漏1.15 1PX8 镀金1U 编带
APPD. JM_Zheng	CHKD. LYX	PJ. NO.: 126-221-240004-X7G
DR. SGF	SCALE: N/A	SIZE: A4
	REV.: A0	DRW NO.:
	UNIT: mm	MAT'L.: SEE NOTES
	PAGE: 3/3	