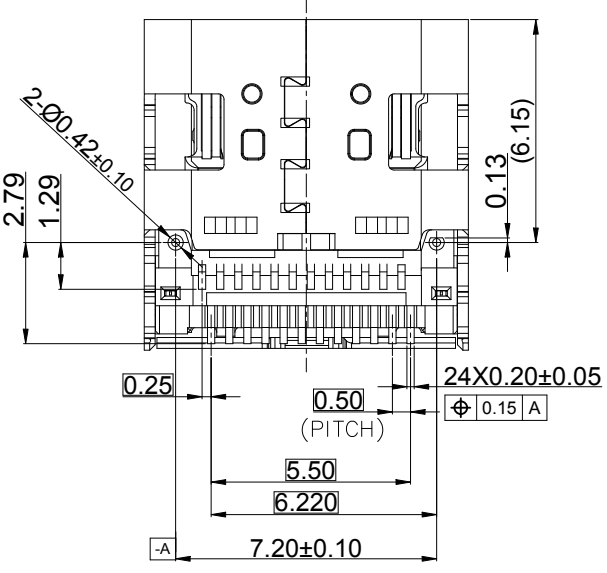
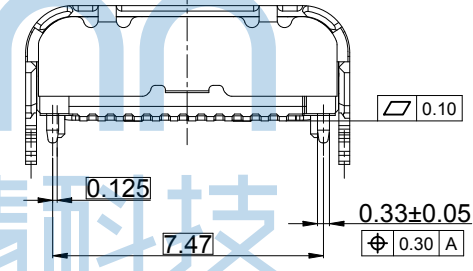
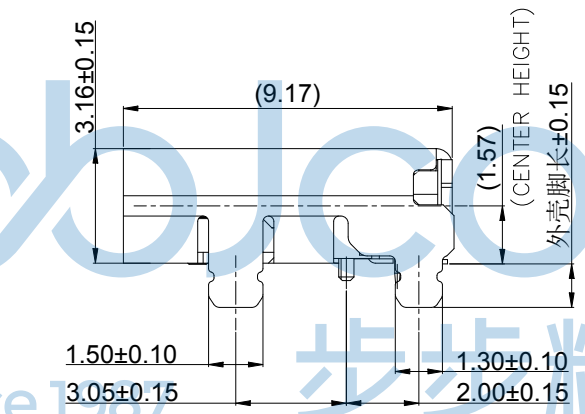
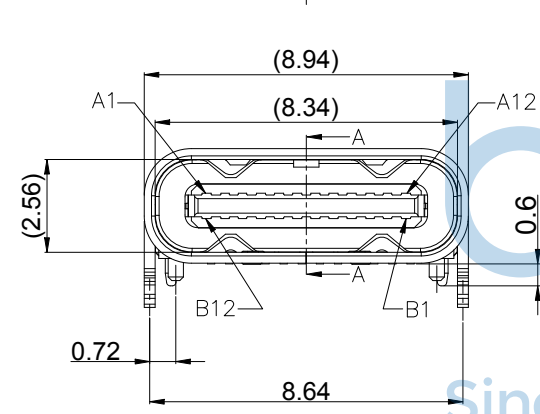
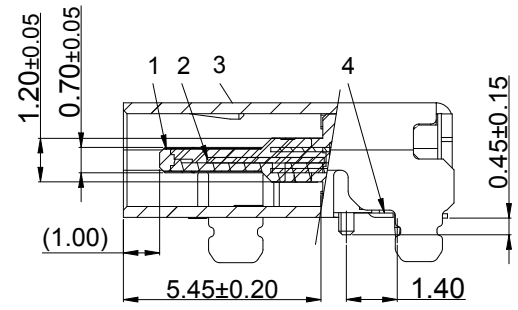
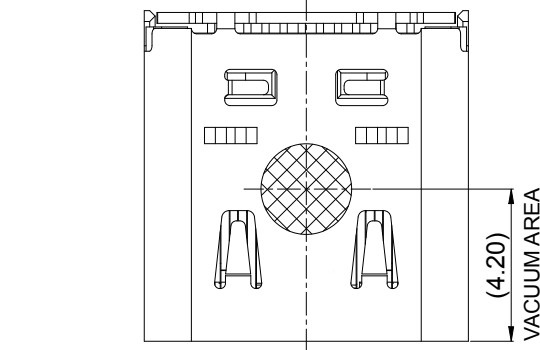


REV.	ECN NO	CONTENT	DATE	ENGINEER
A0		Initial release	/	TSP

NOTE/注释:

- SPECIFICATION/规格:
  - Rated current (额定电流): 5.0 A
  - Voltage rating (额定电压): 5V AC
  - Contact Resistance (接触阻抗): 40 m Ω Max.
  - Insulation Resistance (绝缘阻抗): 100MΩ Min.
  - Withstanding voltage (耐电压): 100 VAC/minute
  - Mating force (插入力): 5~20N.
  - Unmating force (拔出力): 8~20N.
  - Durability Cycle(寿命循环): 10,000 cycle
  - Operating temperature (工作温度): -40°~+85°



PIN ASSIGNMENT:

A1	A2	A3	A4	A5	A6	A7	A8	A9	A10	A11	A12
GND	TX1+	TX1-	Vbus	CC1	D+	D-	SBU1	Vbus	RX2-	RX2+	GND
GND	RX1+	RX1-	Vbus	SBU2	D-	D+	CC2	Vbus	TX2-	TX2+	GND
B12	B11	B10	B9	B8	B7	B6	B5	B4	B3	B2	B1

1.60
1.20
0.90
0.60
外壳脚长

THIS DOCUMENT IS THE SOLE PROPERTY OF BBJconn Technology Co.,Ltd. Corporation AND SHOULD NOT BE USED IN WHOLE OR IN PART WITHOUT PRIOR WRITTEN PERMISSION.

PDWG.NO: 0470-1

APPD. JM\_Zheng  
CHKD. LYX  
DR. TSP

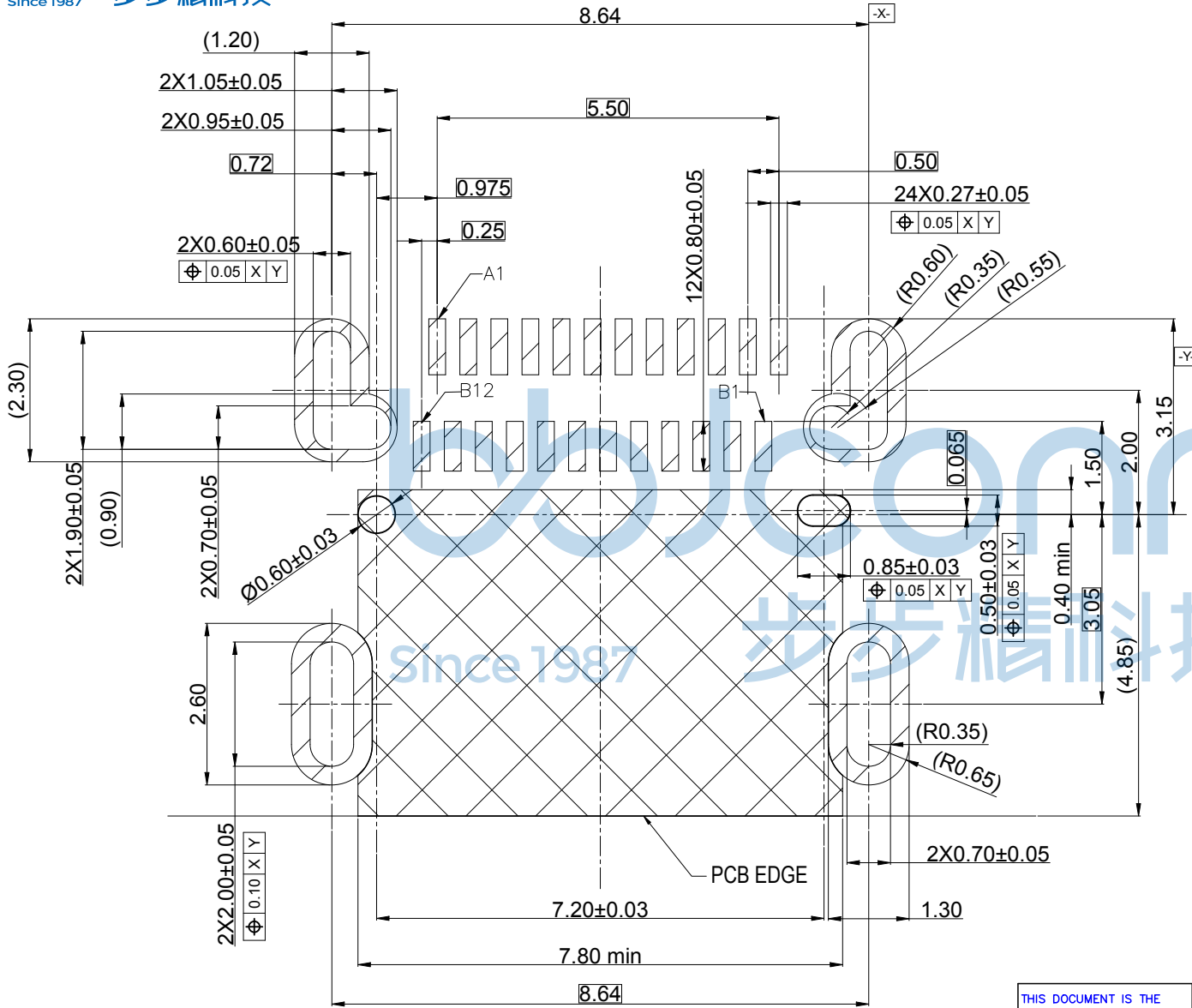
**深圳市步步精科技有限公司**

NAME: U4 40G速率 TYPE-C 24P 母座 有后盖 单壳 板上四脚插 带柱 端子双排SMT 外壳脚长1.20 L=9.17 CH=1.57 编带

PJ. NO.: 126-221-240016-U4G  
SIZE: A4 DRW NO.:

FINISH: SEE NOTES MAT'L.: SEE NOTES  
SCALE: N/A REV.: A0 UNIT: mm PAGE: 1/3

REV.	ECN NO	CONTENT	DATE	ENGINEER
A0		Initial release	/	TSP



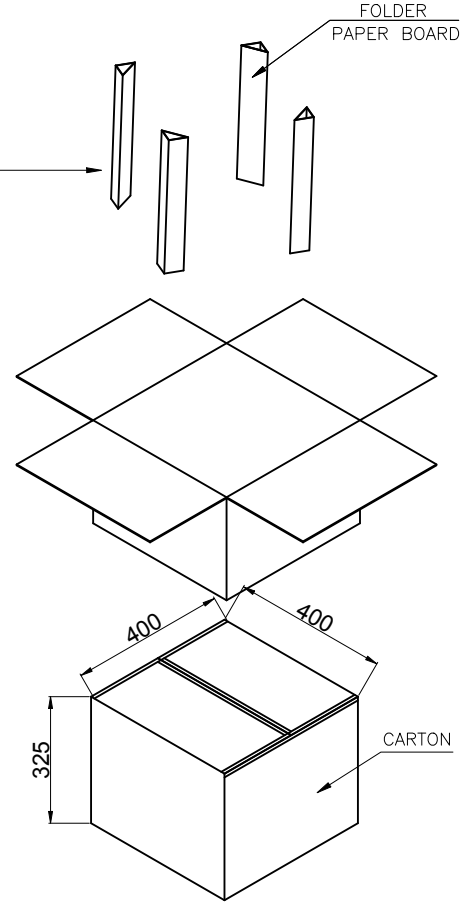
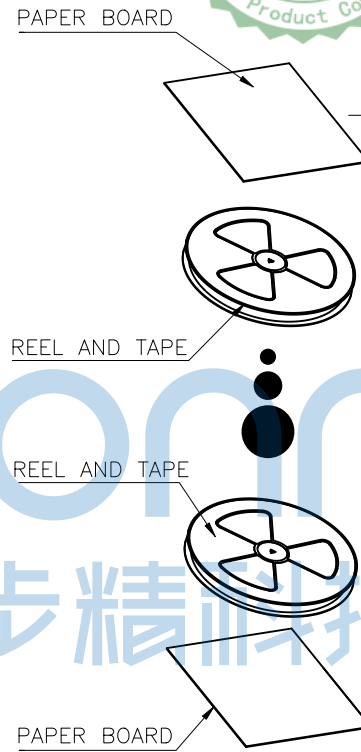
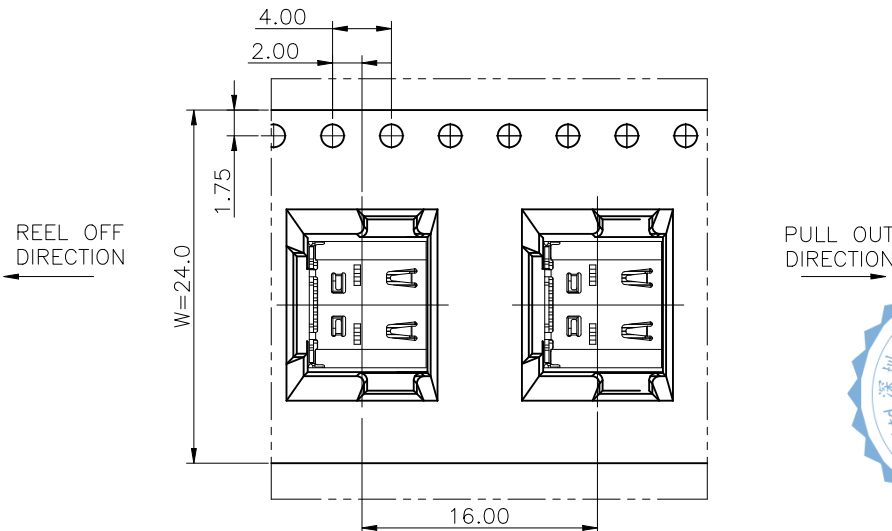
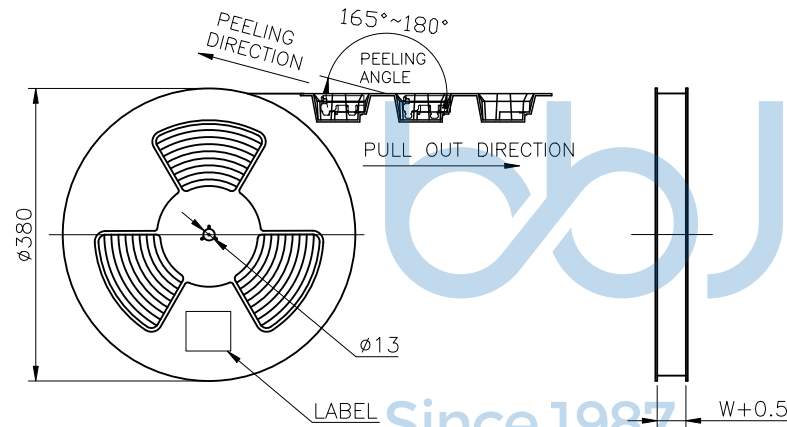
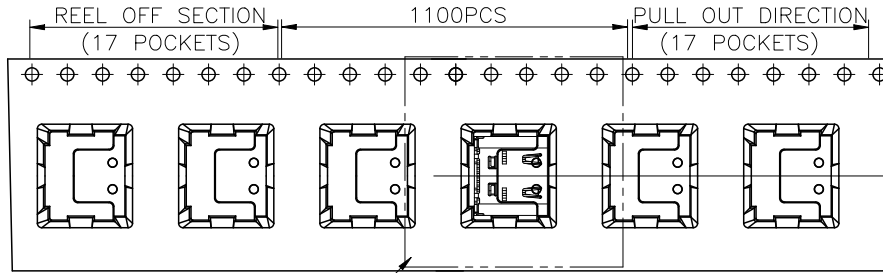
ITEM	DESCRIPTION	QTY	MATERIAL	FINISH	REMARK
4	TERMINAL	24	COPPER ALLOY XYK-40(C18140)	MATING SIDE: Au1u" SOLDER TAIL: Gold FLASH, 50u" NICKEL OVERALL.	T=0.12
3	SHELL	1	SUS304	30U" NICKEL PLATING	T=0.30
2	MID PLATE	1	SUS301	30U" NICKEL PLATING	T=0.15
1	MAIN HOUSING	1	HIGH TEMPERATURE	PA9T UL94 V-0, BLACK	UL94V-0

BILL OF MATERIAL

THIS DOCUMENT IS THE SOLE PROPERTY OF BBJconn Technology Co., Ltd. Corporation AND SHOULD NOT BE USED IN WHOLE OR IN PART WITHOUT PRIOR WRITTEN PERMISSION.		深圳市步步精科技有限公司 .X: ±0.38    .X': ±3" .XX: ±0.25    .X'': ±2" .XXX: ±0.13    .X''': ±1"		NAME: U4 40G速率 TYPE-C 24P 母座 有后盖 单壳 板上四脚 插 带柱 端子双排SMT 外壳脚长1.20 L=9.17 CH=1.57 编带	
APPD.	JM_Zheng	PJ. NO.: 126-221-240016-U4G		SIZE: A4   DRW NO.:	
CHKD.	LYX	FINISH: SEE NOTES		MAT'L.: SEE NOTES	
PDWG.NO:	0470-1	DR.	TSP	SCALE: N/A	REV.: A0
				UNIT: mm	PAGE: 2/3



REV.	ECN NO	CONTENT	DATE	ENGINEER
A0		Initial release	/	TSP



	REEL	CARTON
CONNECTOR (PCS)	1100	11000



THIS DOCUMENT IS THE SOLE PROPERTY OF BBJconn Technology Co.,Ltd. Corporation AND SHOULD NOT BE USED IN WHOLE OR IN PART WITHOUT PRIOR WRITTEN PERMISSION.

PDWG:NO: 0470-1

**深圳市步步精科技有限公司**

NAME: U4 40G速率 TYPE-C 24P 母座 有后盖 单壳 板上四脚插 带柱 端子双排SMT 外壳脚长1.20 L=9.17 CH=1.57 编带

PJ. NO.: 126-221-240016-U4G  
SIZE: A4 DRW NO.:  
FINISH: SEE NOTES MAT'L.: SEE NOTES  
SCALE: N/A REV.: A0 UNIT: mm PAGE: 3/3

APPD.	JM_Zheng
CHKD.	LYX
DR.	TSP