

REV.	ECN NO.	CONTENT	DATE	ENGINEER
A0		Initial release	/	TSP

1. Material:

Contacts: Copper alloy T=0.15

Insulator: HIGH TEMPERATURE PLASTIC UL 94V-0,

Shell: STEEL T=0.15

2. Electrical:

Current-max[amps]: 5A Max For Vbus/GND PIN;
0.9A Max For Other PIN.

Withstanding Voltage: 100V AC R. M. S

Contact Resistance [ohms]: 40mΩ Max. For

Initial 10mΩ. Change Afier

Test. Measure AT 20mV, 100mA

Insulation Resistance [ohms]: 100 mΩ min.

3. MECHANICAL CHARACTERISTICS:

Mating force: 5~20N

Unmated Force: 6~20N After test.

Durability: 10000 cycles min.

4. Plating:

Contacts: SEE TABLE Au plated on contact area,

Bright Tin plating 80-100u"Min on solder area

Nickel Under plating 20u"Min over all

Shell : plating 20~50u"Nickel over CU

5. Environmental

Temperature Range: -40° C~+85° C

A12	A11	A10	A9	A8	A7	A6	A5	A4	A3	A2	A1
GND	RX2+	RX2-	V _{BUS}	SBU1	D-	D+	CC	V _{BUS}	TX1-	TX1+	GND
GND	TX2+	TX2-	V _{BUS}	Vconn			SBU2	V _{BUS}	RX1-	RX1+	GND
B1	B2	B3	B4	B5	B6	B7	B8	B9	B10	B11	B12

THIS DOCUMENT IS THE
SOLE PROPERTY OF
BBJconn Technology Co.,Ltd.
Corporation AND SHOULD
NOT BE USED IN WHOLE
OR IN PART WITHOUT
PRIOR WRITTEN PERMISSION.
PDWG.NO: 0366-2

深圳市步步精科技有限公司

NAME: TYPE-C 24P 公头 拉伸款 沉板0.95
双排SMT 两脚贴板 L=13.75 编带

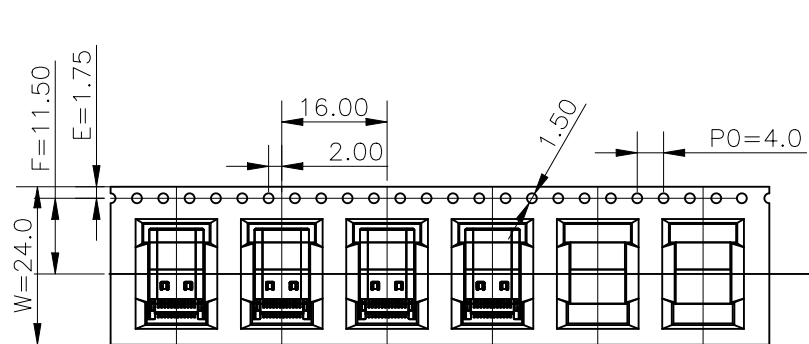
PJ. NO. : 126-121-240002-N5G

SIZE: A4 DRW NO. :

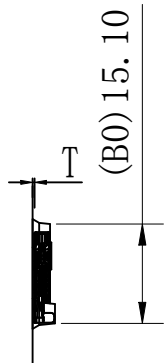
FINISH: SEE NOTES MAT' L. : SEE NOTES

SCALE: N/A REV. : A0 UNIT: mm PAGE: 1/2

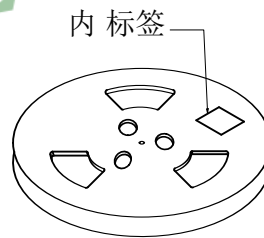
REV.	ECN NO.	CONTENT	DATE	ENGINEER
A0		Initial release	/	TSP



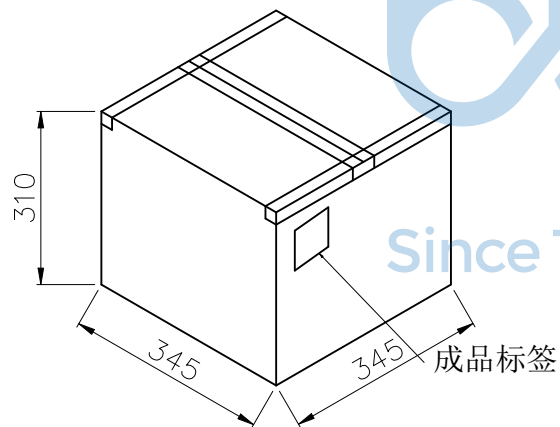
① 产品入载带示意图



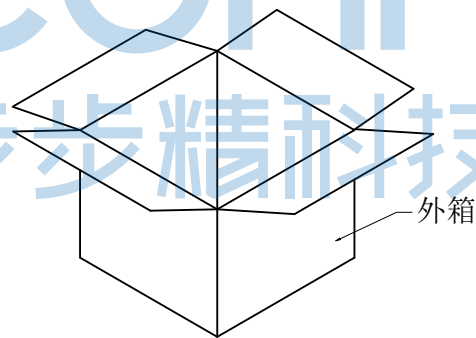
② 卷盘贴标签示意图



③ 7盘产品叠层示意图



⑤ 外箱封箱示意图



④ 产品入外箱示意图

	REEL	CARTON
CONNECTOR (PCS)	1000	7000

包装说明:

1. 将检验好的成品;对插口朝前放入载带;每卷装1000PCS产品;具体如图一所示
2. 将包装好的产品;每盘必需贴上内标签;具体如图二所示
3. 将贴好内标签的产品每7盘叠;具体如图三所示
5. 装好后并封好纸箱及贴好相关标签;具体如图五所示;
(产品包装的标签,如客户有要求,请按客户要求包装出货)
6. 载带前面留22PCS空格,后面留22PCS空格
7. COVER与CARRY剥离力:50-125g,速度:300mm/分钟左右,剥离角度:165°-180°



THIS DOCUMENT IS THE SOLE PROPERTY OF BBJconn Technology Co., Ltd. Corporation AND SHOULD NOT BE USED IN WHOLE OR IN PART WITHOUT PRIOR WRITTEN PERMISSION.		深圳市步步精科技有限公司 NAME: TYPE-C 24P 公头 拉伸款 沉板0.95 双排SMT 两脚贴板 L=13.75 编带 APPD. JM_Zheng CHKD. LYX DR. TSP P.J. NO.: 126-121-240002-N5G SIZE: A4 DRW NO.: FINISH: SEE NOTES MAT'L.: SEE NOTES SCALE: N/A REV.: A0 UNIT: mm PAGE: 2/2	
PDWG.NO: 0366-2			