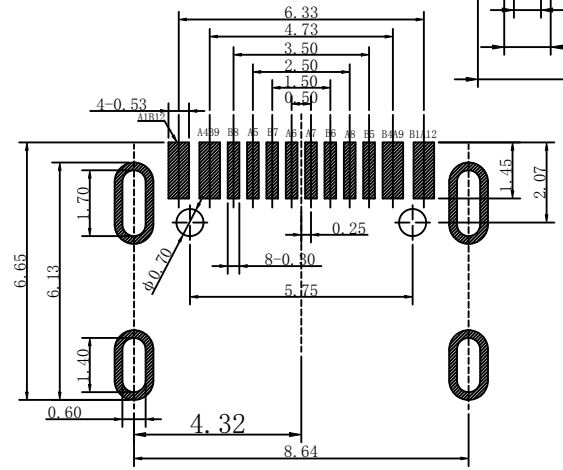
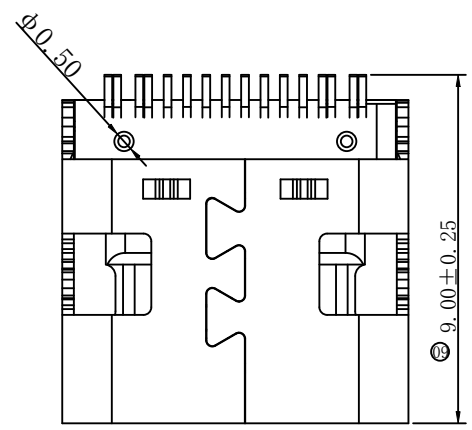
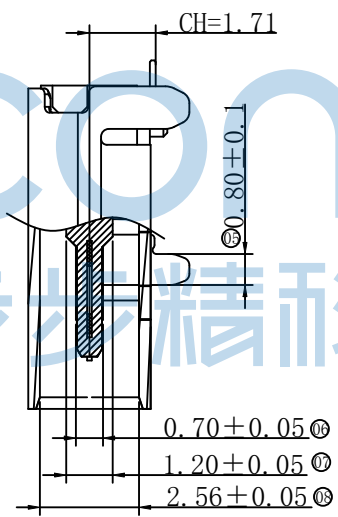
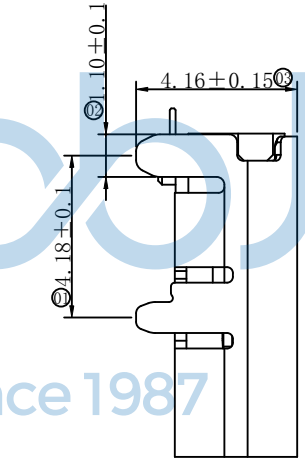
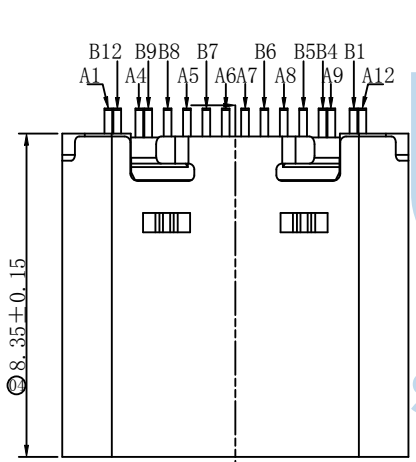
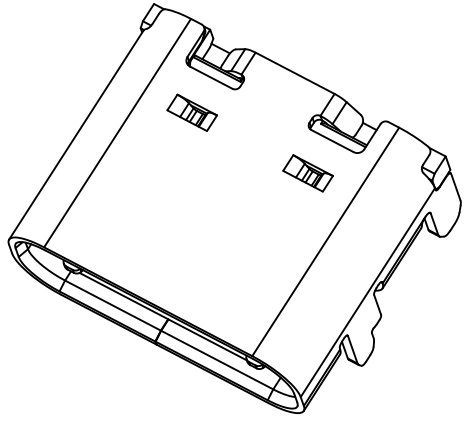
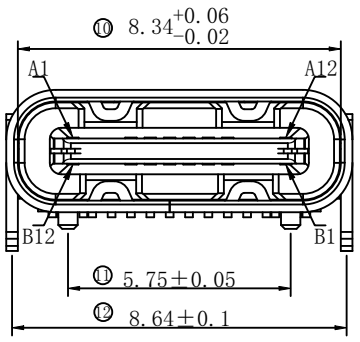


REV.	ECN NO.	CONTENT	DATE	ENGINEER
A0		Initial release	/	TSP

- 特性:
- 一、电气性能: EICTRICAL
 1. 额定电流: 5.0A
 2. 接触阻抗: 40 MILLIOHMS MAX
 3. 耐电压: 150V AC / 1 mA MAX
 4. 绝缘阻抗: 150V DC/100 MEGA OHMS MIN
 - 二、机械性能:
 1. 插入力: 5~20N
 2. 拨出力: 8~20N
 3. 使用寿命: 10000次、拨出力 5N MIN
 - 三、材料: MATERIAL
 1. 塑胶: LCP 黑色 UL94V-0
 2. 端子: C7025 T=0.15MM
 3. 外壳: SUS201/SUS304 T=0.30MM
 4. 卡勾: SUS301 T=0.15MM
 - 四、电镀 FINISH
 1. 端子: 接触点镀金1U"MIN
PIN 脚焊接区域镀金1U"MIN.
 2. 外壳: 镀镍80U"MIN
 - 五、电镀品需做粘锡测试: 粘锡面积达到95%以上。
 - 六、SMT回流焊 (峰值260°C±5°C) 不能起泡、
熔胶、变色不良 (变形在公差范围以内)
 - 七、工作温度: -30°C~+80°C



RECOMMENDED P.C.B. LAYOUT
TOLERANCE UNSPECIFIED ±0.05mm

A1	GND	B12	GND
A2		B11	
A3		B10	
A4	VBUS	B9	VBUS
A5	CC1	B8	SBU2
A6	DP1	B7	DN2
A7	DN1	B6	DP2
A8	SBU1	B5	CC2
A9	VBUS	B4	VBUS
A10		B3	
A11		B2	
A12	GND	B1	GND



THIS DOCUMENT IS THE SOLE PROPERTY OF BBJconn Technology Co.,Ltd. Corporation AND SHOULD NOT BE USED IN WHOLE OR IN PART WITHOUT PRIOR WRITTEN PERMISSION.

PDWG.NO: 0366-2

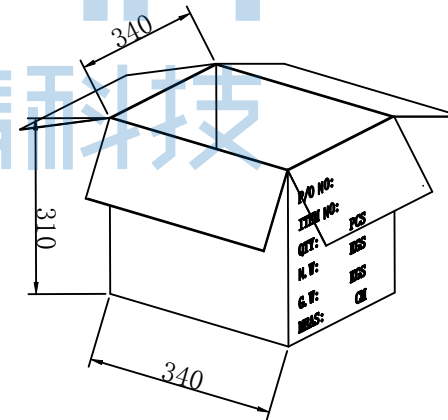
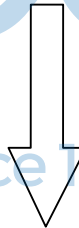
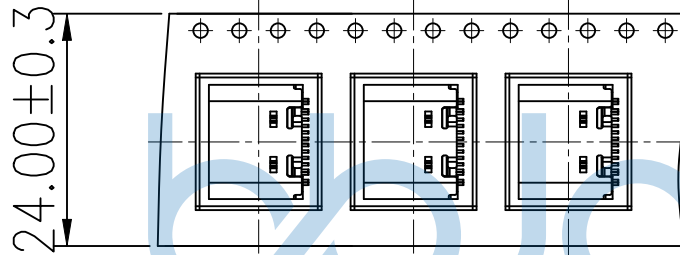
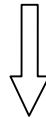
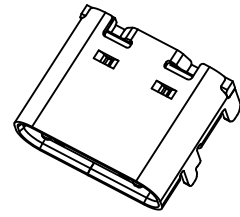
APPD. JM_Zheng
CHKD. LYX
DR. TSP

NAME: TYPE-C 16P 母座 SMT 板上四脚插 带柱 L=8.35 CH=1.71 编带

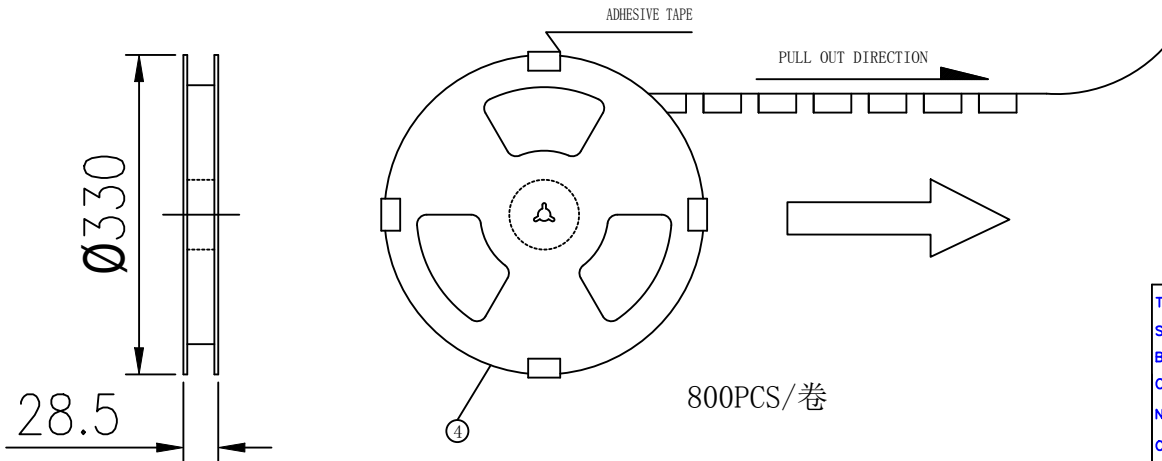
PJ. NO.: 126-221-160022-N5G
SIZE: A4 DRW NO.:
FINISH: SEE NOTES MAT'L.: SEE NOTES
SCALE: N/A REV.: A0 UNIT: mm PAGE: 1/2

深圳市步步精科技有限公司

REV.	ECN NO.	CONTENT	DATE	ENGINEER
A0		Initial release	/	TSP



10卷/每箱



THIS DOCUMENT IS THE SOLE PROPERTY OF BBJconn Technology Co.,Ltd. Corporation AND SHOULD NOT BE USED IN WHOLE OR IN PART WITHOUT PRIOR WRITTEN PERMISSION.		深圳市步步精科技有限公司 .X: ±0.38 X° :±3° .XX: ±0.25 .X° :±2° .XXX: ±0.13 .XX° :±1°		NAME: TYPE-C 16P 母座 SMT 板上四脚插 带柱 L=8.35 CH=1.71 编带	
APPD.	JM_Zheng	P.J. NO. : 126-221-160022-N5G		SIZE: A4 DRW NO. :	
CHKD.	LYX	FINISH: SEE NOTES		MAT' L. : SEE NOTES	
PDWG.NO:	0366-2	DR.	TSP	SCALE: N/A	REV. : A0 UNIT: mm PAGE: 2/2